

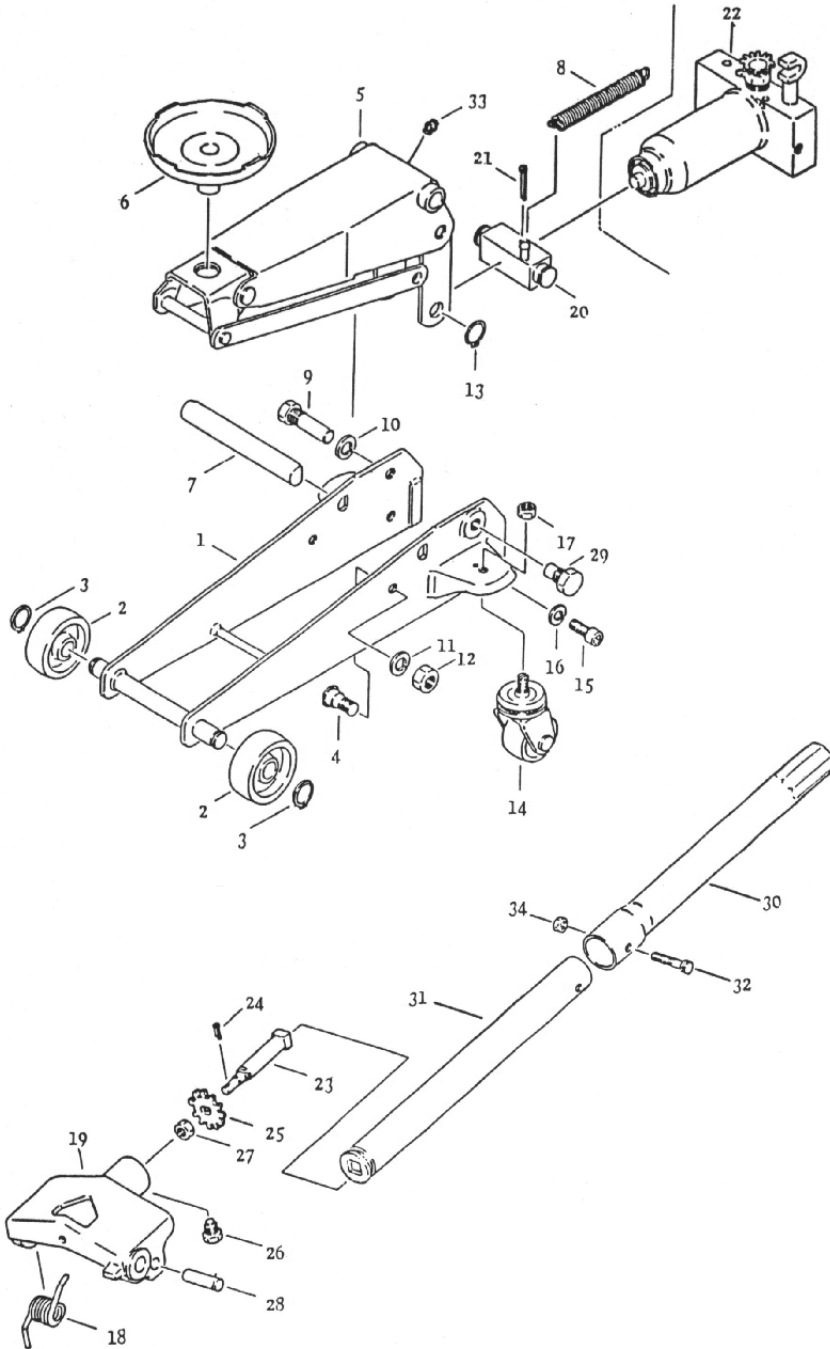


# ZSJ-15H-2 & ZSJ-20S-3 Parts Breakdown

Toll Free: 1-800-579-8088 Web: [www.zinko.com](http://www.zinko.com)

REV 091807  
Page 1 of 2

## Frame Assembly



### Part # Description

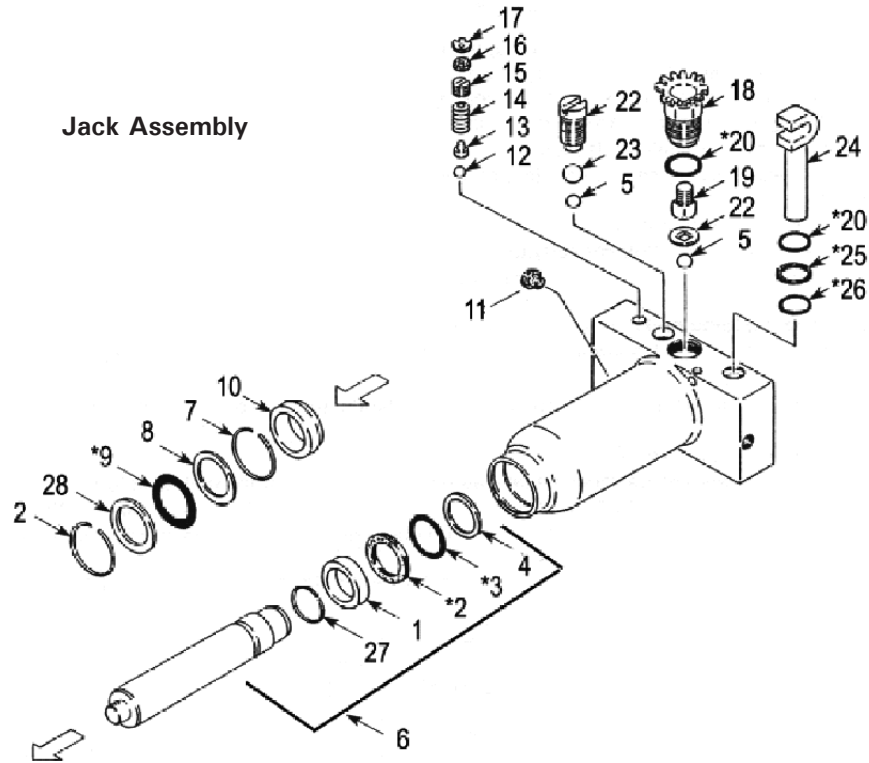
- 1 Side Plate & Axle Assy
- 2 Wheel (Front Axle)
- 3 Retainer Ring
- 4 Bolt (Link)
- 5 Lift Arm & Parallel Link Assy
- 6 Saddle
- 7 Shaft
- 8 Return Spring
- 9 Bolt
- 10 Lockwasher
- 11 Lockwasher
- 12 Nut
- 13 Retainer Ring
- 14 Rear Wheel Assy
- 15 Socket Head Cap Screw
- 16 Lockwasher
- 17 Lock Nut
- 18 Spring
- 19 Handle Socket
- 20 Block, Link/Ram Assy
- 21 Cotter Pin
- 22 Power Unit Assy
- 23 Gear Shaft
- 24 Cotter Pin
- 25 Handle Socket Gear
- 26 Handle Bolt
- 27 Nut
- 28 Plunger Pin
- 29 Bolt
- 30 Handle (Upper Half)
- 31 Handle (Lower Half)
- 32 Hex Head Screw
- 33 Grease Fitting
- 34 Nut
- \* ID and Caution Decal



# ZSJ-15H-2 & ZSJ-20S-3 Parts Breakdown

Toll Free: 1-800-579-8088 Web: www.zinko.com

REV 091807  
Page 2 of 2



Part #	Description	Part #	Description
9040015-P-1	Ram Seal Washer	9040015-P-16	Gasket
9040015-P-2*	O-Ring	9040015-P-17	Pushing Nut
9040015-P-3*	O-Ring	9040015-P-18	Release Valve Assy
9040015-P-4	Seal Retainer Washer	9040015-P-19	Acuator
9040015-P-5	Ball	9040015-P-20*	O-Ring
9040015-P-6	Ram Plunger Assy	9040015-P-21	Guide Plate
9040015-P-7	Snap Ring	9040015-P-22	Plug (Screw)
9040015-P-8	Stopper Ring	9040015-P-23	Ball
9040015-P-9*	O-Ring	9040015-P-24	Pump Plunger
9040015-P-10	Spacer	9040015-P-25*	Backup Ring
9040015-P-11	Oil Fill Plug	9040015-P-26*	O-Ring
9040015-P-12	Ball	9040015-P-27	Snap Ring
9040015-P-13	Plunger	9040015-P-28	Stopper Ring
9040015-P-14	Compression Spring	9040015	Repair Kits (All * Above)
9040015-P-15	Adjusting Screw		