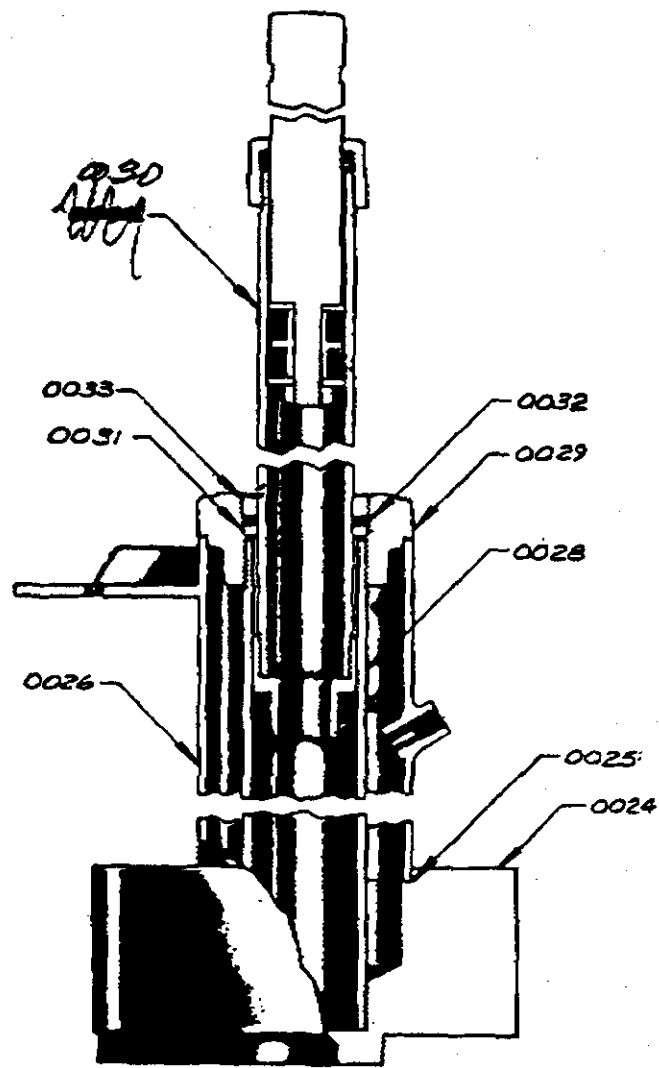
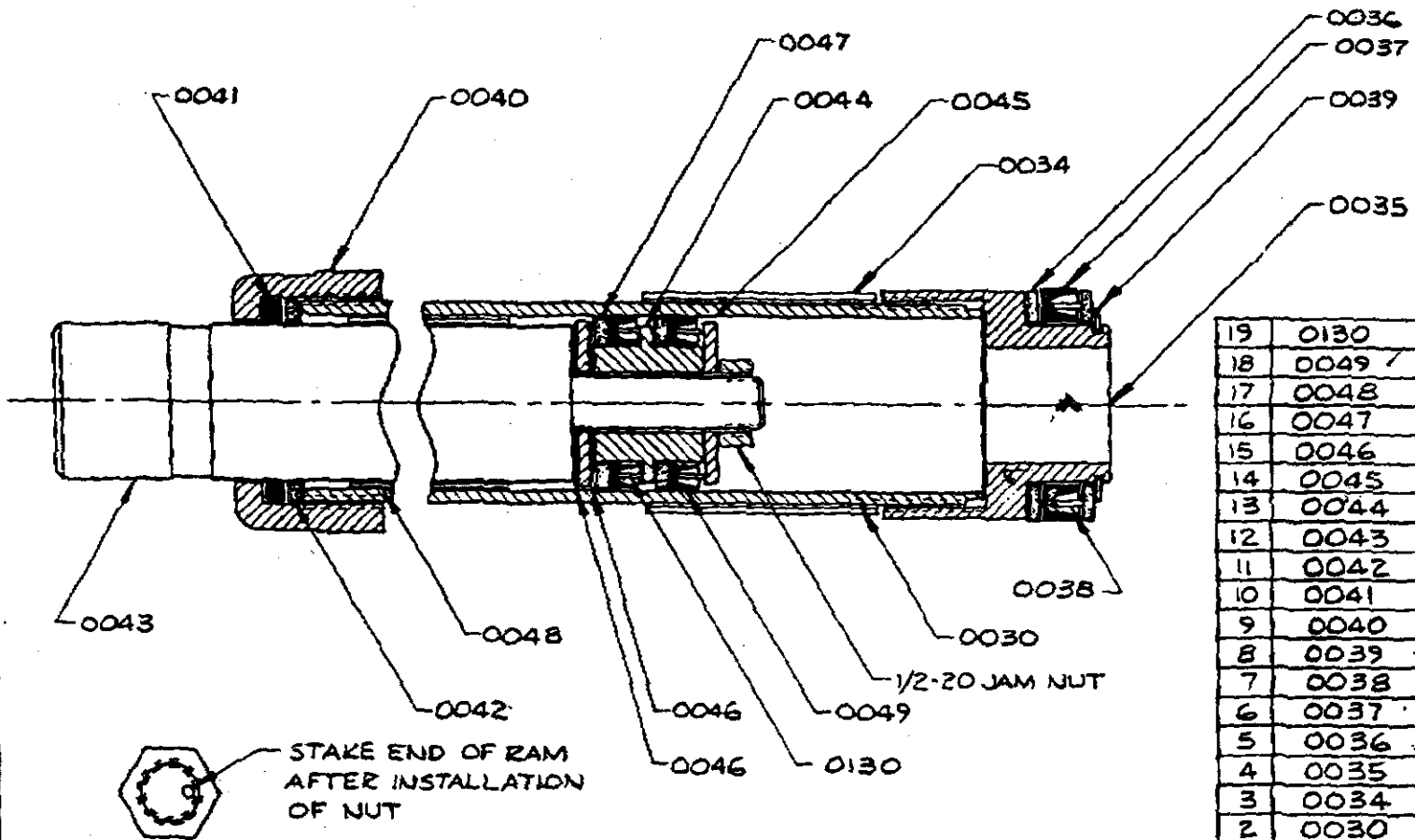


WUDEL TRANSMISSION JACK MOD. 711 SER. 16206



9	0030	SUBASSY, RAM-SECONDARY	1
8	0033	PACKING NUT /	1
7	0032	PACKING "	1
6	0031	STOP NUT	1
5	0029	TOP NUT	1
4	0028	MAIN CYLINDER	1
3	0026	RESERVOIR	1
2	0025	GASKET	1
1	0024	BASE CASTING	1
NO	PART NO	DESCRIPTION	QTY
REVISIONS		SUBASSY, MAIN HYDRAULIC ASSY- 711 JACK	
NO	DATE	BY	
1			
2			
3			
4			
5			
6			
DRAWN BY		SCALE	MATERIAL
RSM		~	
CHK'D		DATE	DRAWING NO.
		11-10-77	0001
TRACED		APP'D	



19	0130	SEAL EXPANDER	2
18	0049	U CUP SEAL (6226-20)	2
17	0048	STOP SPACER	1
16	0047	BRONZE GUIDE	2
15	0046	RAM SEAL GASKET	2
14	0045	RAM SEAL WASHER	2
13	0044	RAM SEAL BUSHING	1
12	0043	RAM	1
11	0042	STOP RING	1
10	0041	RAM PACKING	1
9	0040	RAM PACKING NUT	1
8	0039	LOCK RING (5107-137)	1
7	0038	SEAL EXPANDER	1
6	0037	U CUP SEAL (6226-26)	1
5	0036	BRONZE GUIDE	2
4	0035	SEAL BODY	1
3	0034	STOP SPACER	1
2	0030	SECONDARY CYLINDER	1
1		1/2-20 JAM NUT	1
NO	PART NO	DESCRIPTION	QTY

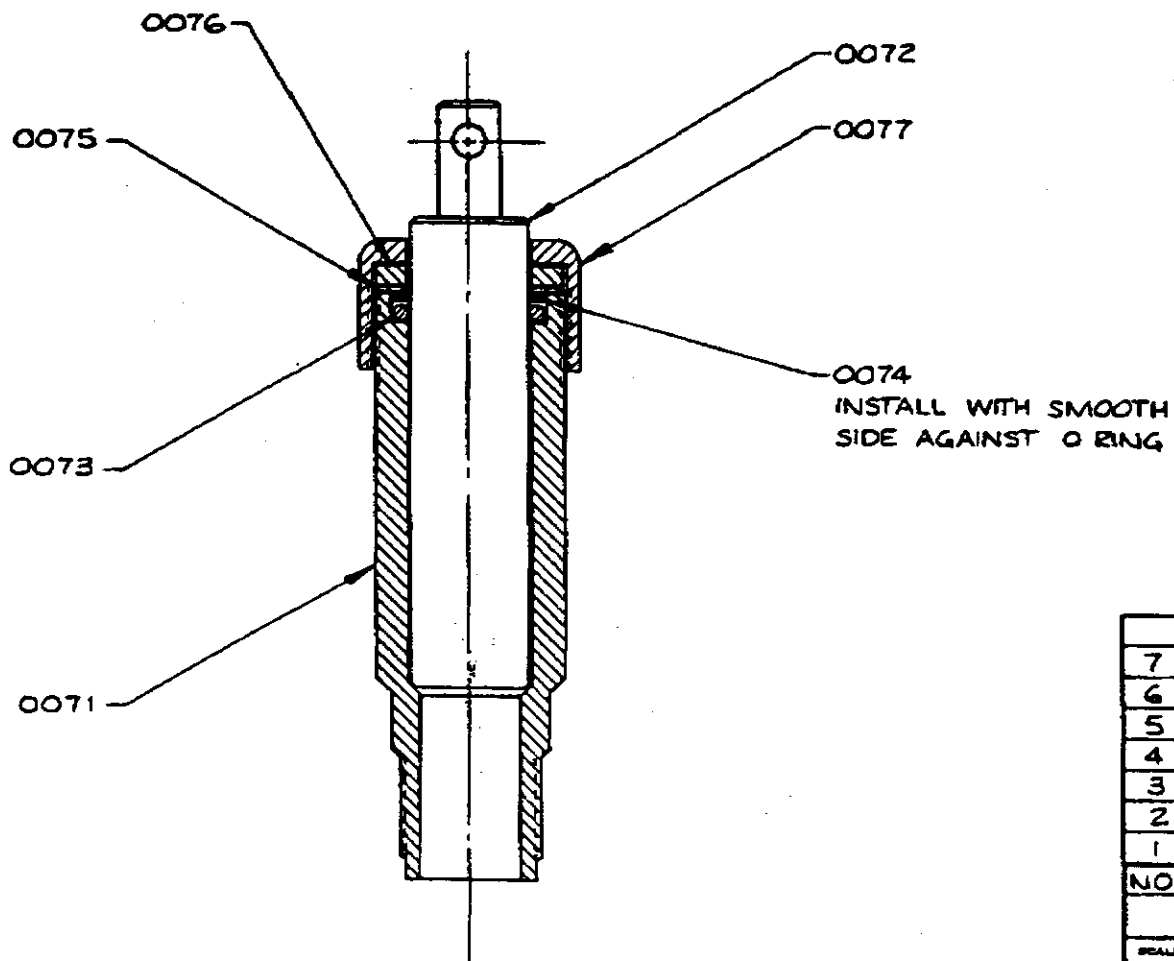
LIST OF MATERIAL

SCALE: 1/1	APPROVED BY:	DRAWN BY: E.S.M.
DATE: 9-9-65		REVISED:

EARL MFG. CO. INC.

RAM-SECONDARY SUBASSY 0099

2. LUBRICATE PARTS WITH HYDRAULIC OIL BEFORE ASSEMBLING.  
 1 APPLY LEAD SEAL TO THREADS OF \*0030 & \*0035 BEFORE ASSY.  
 NOTE: UNLESS OTHERWISE SPECIFIED



7	0077	PACKING NUT	1
6	0076 /	PACKING	1
5	0075	PACKING WASHER	1
4	0074	BACK-UP RING (6246-19)	1
3	0073	O RING (6227-19)	1
2	0072	PISTON	1
1	0071	CYLINDER	1
NO	PART NO	DESCRIPTION	QTY

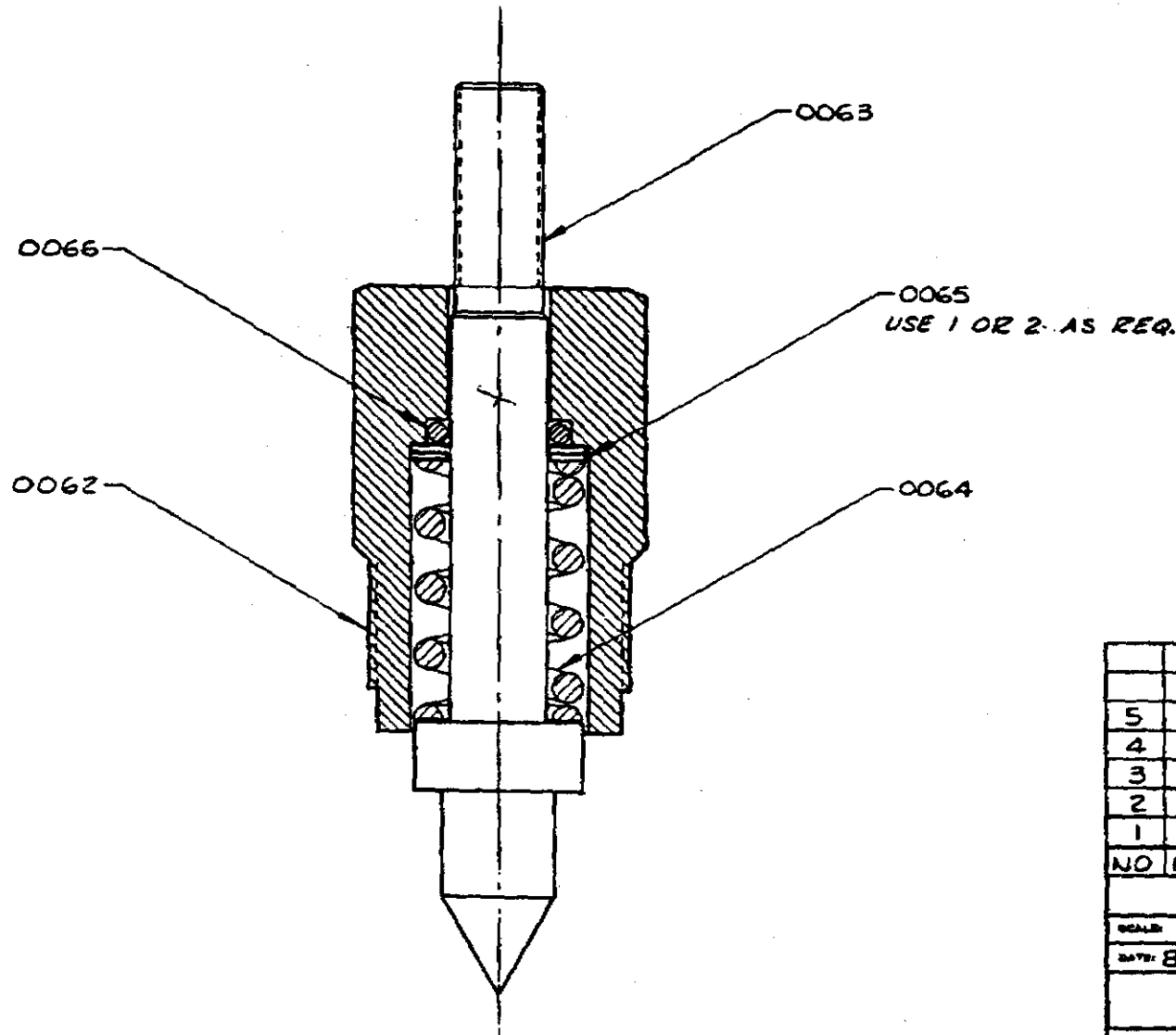
LIST OF MATERIAL

SCALE: 1/1	APPROVED BY:	DRAWN BY RSM
DATE: 8-27-65		REVISED

EARL MFG CO INC

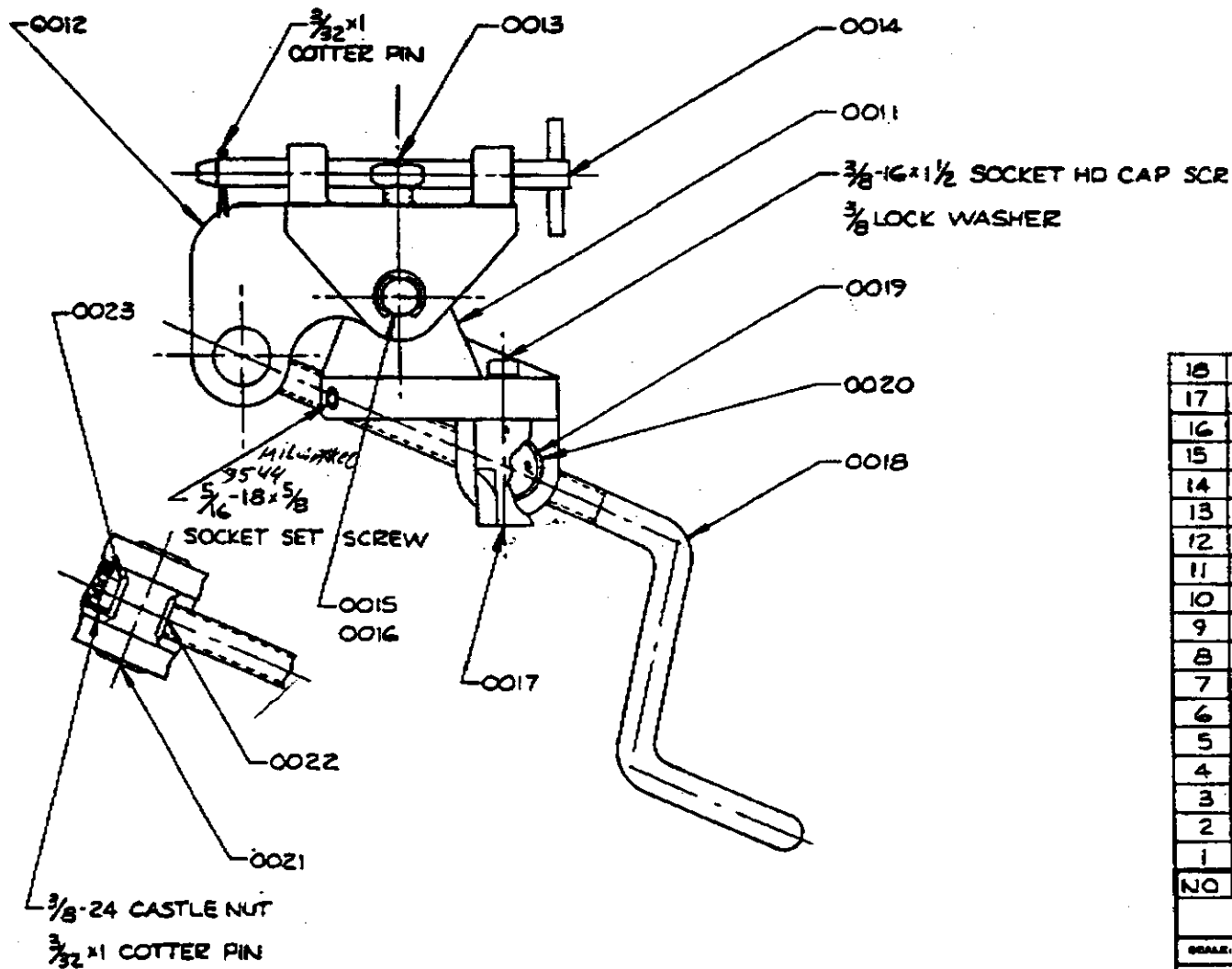
PUMP ASSEMBLY

RELATIVE NUMBER  
0070



*release valve  
insert  
711-0249*

5	0066	ORING (6227-9)	1
4	0065	WASHER	
3	0064	SPRING	1
2	0063	NEEDLE	1
1	0062	BODY	1
NO	PART NO	DESCRIPTION	QTY
LIST OF MATERIAL			
SCALE: 2/1		APPROVED BY:	DRAWN BY RSM
DATE: 8-27-65			REVISED
EARL MFG. CO., INC			
RELEASE VALVE ASSEMBLY			0061



18	0023	TILT SCREW WASHER	1
17	0022	TILT SCREW BUSHING	1
16	0021	TILT SCREW BLOCK	1
15	0020	LOCK RING (5103-100)	2
14	0019	TILT NUT	1
13	0018	FORWARD TILT CRANK	1
12	0017	RAM LOCK PIN	1
11	0016	LOCK RING (5133-62)	2
10	0015	PIN	1
9	0014	ADAPTER PIN	1
8	0013	SIDE LEVEL SCREW	2
7	0012	UPPER HEAD CASTING	1
6	0011	LOWER HEAD CASTING	1
5	$\frac{3}{8} - 16 \times 1 \frac{1}{2}$	SOCKET HD CAP SCREW	1
4	$\frac{3}{8}$	LOCK WASHER	1
3	$\frac{3}{8} - 24$	CASTLE NUT	1
2	$\frac{5}{16} - 18 \times \frac{5}{8}$	SOCKET SET SCREW	2
1	$\frac{3}{32} \times 1$	COTTER PIN	2
NO	PART NO	DESCRIPTION	QTY

LIST OF MATERIAL

SCALE: 1/2	APPROVED BY:	DRAWN BY: Z.S.M.
DATE: 9-10-65		REVISED:

EARL MFG CO INC

TILT HEAD ASSEMBLY

DRAWING NUMBER  
0010

711

# VUDEL

