

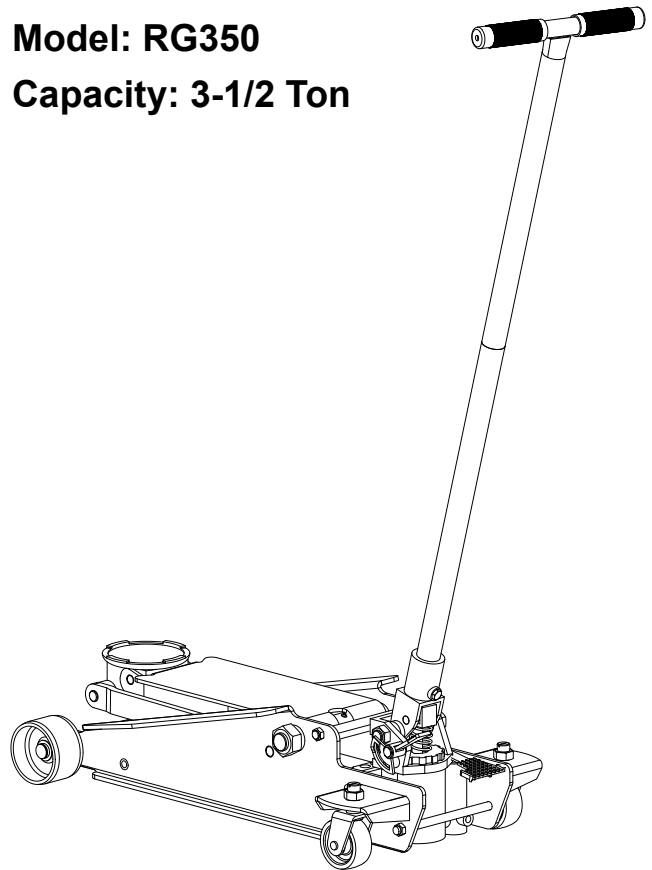
# Operating Instructions & Parts Manual

# Winner

## Speedy Lift Swivel Handle Garage Jack

Model: RG350

Capacity: 3-1/2 Ton



U.S. Patent No's.

5,946,912 • 6,199,379 • 7,431,265 & 7,194,857



This is the safety alert symbol. It is used to alert you to potential personal injury hazards. Obey all safety messages that follow this symbol to avoid possible injury or death.

### CAUTION

**The handle fork of this jack is spring loaded! To reduce the risk of personal injury and property damage:**

BEFORE REMOVING from package:

1. Press down on the handle fork with one hand while simultaneously pulling the steel link back and away from the handle fork cavity with the other hand.
2. Maintain **firm pressure** on fork until steel link is removed. **Carefully, gradually** release pressure on handle fork until it comes to rest in an upright position.
3. Unhook the steel link from the rear strut and discard. **SECURE** the operating handle before using this jack!

### ADVERTENCIA

- Leer, comprender, y seguir las instrucciones antes de utilizar el aparato.
- El manual de instrucciones y la información de seguridad deben estar comunicado en lengua del operador antes del uso.
- No seguir estas indicaciones puede causar daños personales o materiales.

### WARNING

- **Study, understand, and follow** all printed materials provided with and on this device **before use**.
- **Do not** exceed rated capacity.
- Use only on hard, level surface.
- **This is a lifting device only! Immediately** after lifting, support the vehicle with a pair of appropriately rated vehicle stands.
- Never work on, under, or around a load supported only by this device.
- Do not move or dolly the vehicle while on the jack.
- No alterations shall be made to this product.
- Lift only on areas of the vehicle as specified by the vehicle manufacture.
- Failure to heed these markings may result in personal injury and/or property damage.

## SAFETY and GENERAL INFORMATION

**Save these instructions.** For your safety, read, understand, and follow the information provided with and on this jack before using. The owner and/or operator of this equipment shall have an understanding of this jack and safe operating procedures before attempting to use. The owner and/or operator shall be aware that use and repair of this product may require special skills and knowledge. Instructions and safety information shall be conveyed in the operator's native language before use of this jack is authorized. If any doubt exists as to the safe and proper use of this jack, remove from service immediately.

**Inspect before each use.** Do not use if broken, bent, cracked, or damaged parts (including labels) are noted. Any jack that appears damaged in any way, operates abnormally or is missing parts, shall be removed from service immediately and the manufacturer notified. If you suspect that the jack was subjected to a shock load (a load dropped suddenly, unexpectedly upon it), immediately discontinue use until the jack has been checked by a factory authorized service center (contact distributor or manufacturer for list of Authorized Service Centers). It is recommended that an annual inspection be done by qualified personnel. Labels and owner's manuals are available from manufacturer.

## PRODUCT DESCRIPTION

Hydraulic Garage Jack is designed to lift, but not support, one end of a vehicle. The release valve mechanism used on this model is unique in that it requires the user to simply press down upon a pedal located on the rear, right hand side of the hydraulic unit (see Fig. 1). The lowering speed increases dramatically when no load is on the saddle. When the saddle **has a load** upon it, the lowering speed is fixed. The heavier the load, the slower the rate of descent. This feature is unlike traditional metered release valve mechanisms found on most other service jacks. Traditional service jacks require the user to engage and rotate the release valve with an operating handle; clockwise to initiate lifting and counter-clockwise to initiate controlled lowering. In contrast, the release valve on this model is always spring-biased in the "CLOSED" position and may require special skills and repetitive use to operate with proficiency. **Extraordinary** care should be exercised when lowering a load. This jack is also equipped with a swivelling handle socket which allows the handle to locked into position in one of 12 different positions by means of a foot pedal. When the pedal is pressed downward **gently** while swivelling the handle sleeve assembly, simply press down fully to engage the locking detent. To reposition the handle, raise up the foot pedal to release the locking detent. **Extraordinary** care must be taken to avoid confusing the release valve pedal with the handle position locking pedal.

**⚠ NEVER use a hydraulic jack as a stand-alone device. After lifting, immediately support the lifted vehicle with a pair of appropriately rated jack stands.**

## SPECIFICATIONS

Model	Capacity	Jack Size (L x W x H)	Min. Height	Max. Height	Saddle Dia.
RG350	3-1/2 Ton	30-1/4" x 14-7/8" x 8-1/4"	4-1/8"	20-1/4"	5-1/2"

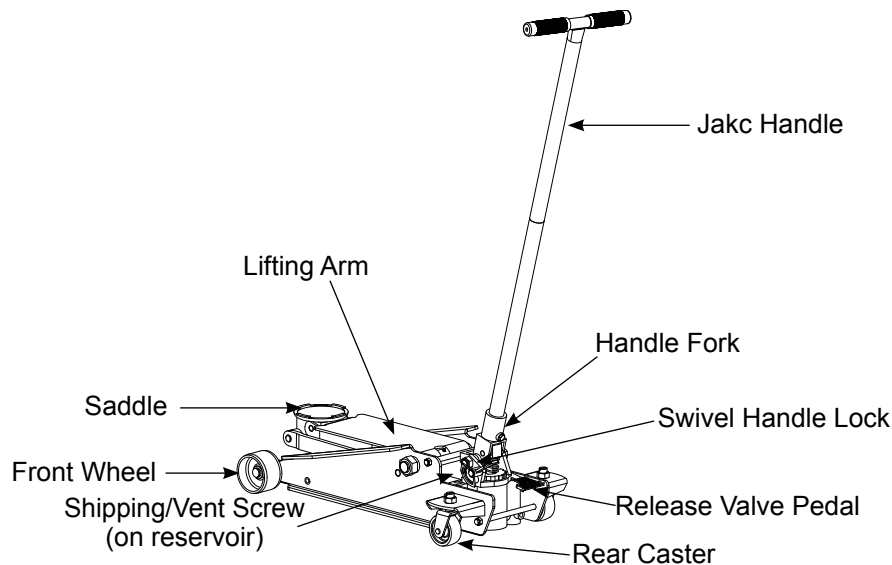
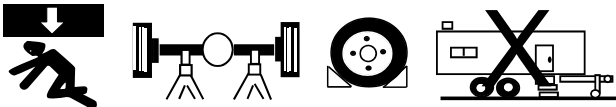


Figure 1 - Model RG350 Component

# ⚠ WARNING



**To avoid crushing and related injuries:**

- **Never** work on, under, or around a load supported only by a hydraulic jack.
- Read, understand and follow all printed materials provided with and on this jack.
- **Immediately** support the lifted vehicle with a pair of appropriately rated vehicle stands.
- **Use ONLY** on vehicles whose lift points are compatible with the saddle of this jack. Incompatibility may result in structural damage to the vehicle and/or jack.
- **Chock** each unlifted tire in both directions.
- **Be alert** and **sober** when using this product! Never operate this device when under the influence of drugs or alcohol.
- **Do not** use this device to lift, level, lower, support, adjust or otherwise move a house, mobile home, travel trailer, camper or building structure of **any** type, size, or configuration.
- The release valve on this model is spring-biased in the "ON" position and may require special skills and training to operate with proficiency. **Extraordinary** care should be exercised when lowering a load.

## PREPARATION

**Before Use** (refer to Figure 1 & 2)

1. Verify that the product and the application are compatible.
2. Before using this product, read the operator's manual completely and familiarize yourself thoroughly with the product, its components and recognize the hazards associated with its use.
3. Assemble the 2-piece handle with screws and washers provided.
4. This jack is also equipped with a swivelling handle socket which allows the handle to locked into position in one of 12 different positions by means of a foot pedal. When the pedal is pressed downward **gently** while swivelling the handle sleeve assembly, simply press down fully to engage the locking detent. To reposition the handle, raise up the foot pedal to release the locking detent. **Extraordinary** care must be taken to avoid confusing the release valve pedal with the handle position locking pedal.

## PREPARATION

5. To familiarize yourself with basic operation, insert and **secure** the provided handle into the handle fork. The release valve on this model is always 'CLOSED', so you may simply pump the operating handle to **raise** the load. To **lower** the load, simply locate and **press down** on the release valve pedal. The release valve on this model is always spring-biased in the "ON" position and may require special skills and training to operate with proficiency. **Extraordinary** care should be exercised when lowering a load. This is the 'OPEN' release valve position used to **lower** the load.
6. With saddle fully lowered, locate and remove the shipping screw. Pump 6 to 8 full strokes. This will help release any pressurized air which may be trapped within the reservoir. Check oil level. Proper oil level will vary from just covering the ram cylinder to 3/16" above it as seen from the oil filler hole. **Reinstall** with **vent screw** provided in separate plastic bag.
7. Check to ensure that jack rolls freely. Raise and lower the unloaded saddle throughout the lifting range before putting into service to ensure the pump operates smoothly.
8. Replace worn or damaged parts and assemblies with Omega authorized replacement parts only. Lubricate as instructed in Maintenance Section.

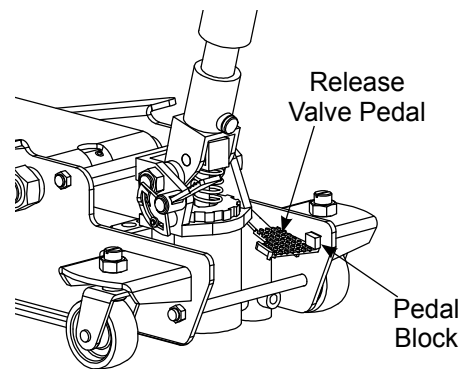




Figure 2 - Release Valve Pedal


## OPERATING INSTRUCTIONS

### Lifting


 *Only attachments and/or adapters supplied by the manufacturer shall be used. Lift only on areas of the vehicle as specified by the vehicle manufacturer.*

1. Follow the vehicle manufacturer's recommended guidelines for lifting. Engage the emergency brake and chock each unlifted wheel in both directions to prevent inadvertent vehicle movement.
2. Refer to the vehicle manufacturer owner's manual to locate approved lifting points on the vehicle. Center jack saddle under lift point.
3. Pump the handle until contact with lift point is made. Verify that the lift point will be centered between the saddle lugs. To lift, pump handle until load reaches desired height.
4. Transfer the load **immediately** to appropriately rated jack stands.


 **NEVER** use hydraulic jack as a stand alone device! **ALWAYS** transfer the lifted load **IMMEDIATELY** to a pair of appropriately rated jack stands. Use one pair of jack stands per vehicle. Rated capacity is per pair only! Do not exceed rated capacity.

 *Overloading may cause hydraulic system failure.*

### Lowering

 *Be sure all tools and personnel are clear before lowering load.*

1. Raise load high enough to clear the jack stands.
2. Remove jack stands carefully. (**always** used in pairs).

 *The release valve on this model is spring biased in the "ON" position and may require special skills and training to operate with proficiency. **Extraordinary** care should be exercised when lowering a load.*

3. **Carefully** press the release valve pedal down. If the load fails to lower:
  - a. Use another jack to raise the vehicle high enough to reinstall jack stands.
  - b. Remove the malfunctioning jack and then the jack stands.
  - c. Use the functioning jack to lower the load.
4. After removing jack from under the load, push saddle down to reduce ram exposure to rust and contamination. Latch the release valve pedal in the closed position by pressing it downward while moving it to the right until it latches.

## CARE AND MAINTENANCE

**Important:** Use only good grade hydraulic jack oil. Avoid mixing different types of fluid and **Never** use brake fluid, turbine oil, transmission fluid, motor oil or glycerin. Improper fluid can cause failure of the jack and the potential for sudden and immediate loss of load. We recommend Mobil DTE 13M or equivalent.

### Adding oil

1. With saddle fully lowered set jack in its upright, level position. Locate and remove vent screw.
2. Fill with oil until ~3/16" above the inner cylinder as seen from the oil filler hole. If the oil level is too low, the jack will not raise to its advertised maximum height. Reinstall the vent screw.

### Changing oil

For best performance, replace the complete fluid supply at least once per year.

1. With saddle fully lowered, remove the vent screw and drain the fluid into a suitable container.
2. Fill with oil until ~3/16" above the inner cylinder as seen from the oil filler hole. Reinstall vent screw.

**Note:** Dispose of hydraulic fluid in accordance with local regulations.

### Lubrication

A periodic coating of light lubricating oil to pivot points, axles and hinges will help to prevent rust and assure that wheels, casters and pump assemblies move freely.

### Cleaning

Periodically check the pump piston and ram for signs of rust/corrosion. Clean as needed and wipe with oily cloth.

**Note:** Never use sandpaper or abrasive material on these surfaces!

### Storage

When not in use, store the jack with saddle fully lowered and release valve latched in the open position. Latch the release valve lever in the open position by pressing it downward while moving it to the right until it latches. This will help prevent rust and corrosion to those critical surfaces.

## POSSIBLE PROBLEMS AND SOLUTIONS

Problems	Possible Causes	Solutions
Jack will not lift load	<ul style="list-style-type: none"> <li>• Faulty release valve</li> <li>• Load is too heavy</li> </ul>	<ul style="list-style-type: none"> <li>• Discontinue use, contact Customer support.</li> <li>• Consider higher capacity jack</li> </ul>
Jack will lift, but not maintain pressure	<ul style="list-style-type: none"> <li>• Overload condition</li> <li>• Hydraulic unit malfunction</li> </ul>	<ul style="list-style-type: none"> <li>• Remedy overload condition</li> <li>• Discontinue use, contact Customer Support</li> </ul>
Jack will not lower after unloading	<ul style="list-style-type: none"> <li>• Reservoir overfilled</li> <li>• Linkages binding</li> <li>• Fluid level low</li> </ul>	<ul style="list-style-type: none"> <li>• Drain fluid to proper level</li> <li>• Clean and lubricate moving parts</li> <li>• Ensure proper fluid level</li> </ul>
Poor lift performance	<ul style="list-style-type: none"> <li>• Fluid level low</li> <li>• Hydraulic unit malfunction</li> </ul>	<ul style="list-style-type: none"> <li>• Ensure proper fluid level</li> <li>• Discontinue use, contact Customer Support</li> </ul>
Will not lift to full extension	<ul style="list-style-type: none"> <li>• Fluid level low</li> </ul>	<ul style="list-style-type: none"> <li>• Ensure proper fluid level</li> </ul>

## 90 DAYS LIMITED WARRANTY

For a period of 90 days from date of purchase, **SFA Companies** will repair or replace, at its option, without charge, any of its products which fails due to a defect in material or workmanship under normal usage. This limited warranty is a consumer's exclusive remedy.

Performance of any obligation under this warranty may be obtained by returning the warranted product, freight prepaid, to **SFA Companies** Warranty Service Department, 10939 N. Pomona Ave., Kansas City, MO 64153.

Except where such limitations and exclusions are specifically prohibited by applicable law, (1) THE CONSUMER'S SOLE AND EXCLUSIVE REMEDY SHALL BE THE REPAIR OR REPLACEMENT OF DEFECTIVE PRODUCTS AS DESCRIBED ABOVE. (2) **SFA Companies** SHALL NOT BE LIABLE FOR ANY CONSEQUENTIAL OR INCIDENTAL DAMAGE OR LOSS WHATSOEVER. (3) ANY IMPLIED WARRANTIES, INCLUDING WITHOUT LIMITATION THE IMPLIED WARRANTIES OF MERCHANTABILITY AND FITNESS FOR A PARTICULAR PURPOSE, SHALL BE LIMITED TO NINETY DAYS, OTHERWISE THE REPAIR, REPLACEMENT OR REFUND AS PROVIDED UNDER THIS EXPRESS LIMITED WARRANTY IS THE EXCLUSIVE REMEDY OF THE CONSUMER, AND IS PROVIDED IN LIEU OF ALL OTHER WARRANTIES, EXPRESS OR IMPLIED. (4) ANY MODIFICATION, ALTERATION, ABUSE, UNAUTHORIZED SERVICE OR ORNAMENTAL DESIGN VOIDS THIS WARRANTY AND IS NOT COVERED BY THIS WARRANTY.

Some states do not allow limitations on how long an implied warranty lasts, so the above limitation may not apply to you. Some states do not allow the exclusion or limitation of incidental or consequential damages, so the above limitation or exclusion may not apply to you. This warranty gives you specific legal rights, and you may also have other rights, which vary from state to state.

## REPLACEMENT PARTS (refer to page 6 & 7)

Not all components of the jack are replacement items, but are illustrated as a convenient reference of location and position in the assembly sequence. When ordering parts, give Model number, serial number and parts description. Call or write for current pricing: SFA Companies 10939 N. Pomona Ave. Kansas City, MO 64153, U.S.A. E-Mail: sales@omegalift.com Tel: (888) 332-6419 Fax: (816) 891-6599 Omega Website: <http://www.omegalift.com>

### Replacement Parts Illustration for model RG350

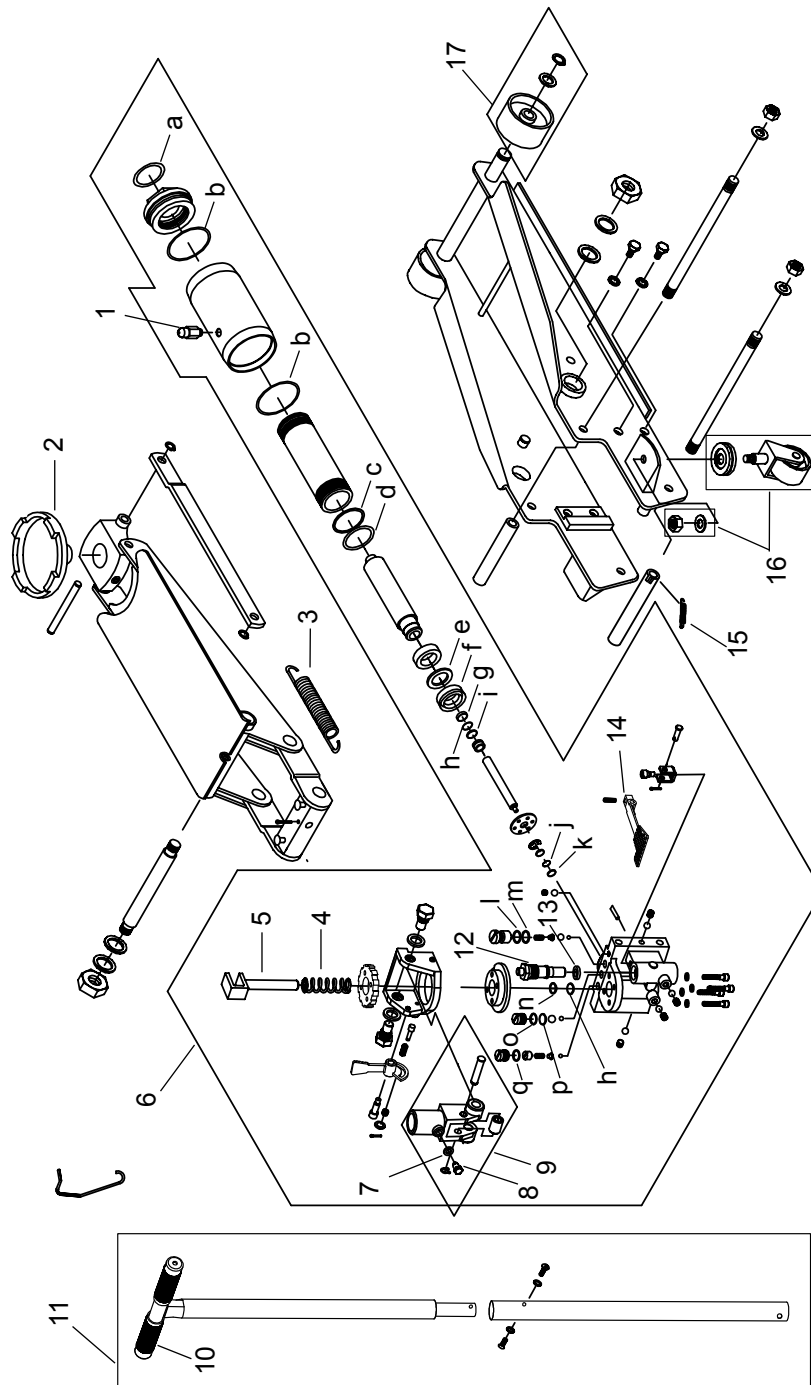


Figure 3 - Replacement Parts Illustration for Model RG350

**Replacement Parts List for model RG350**

Item#	Part#	Description	Qty.
1	G93M08-0012	Vent Screw	1
2	G80800-0004	Saddle	1
3	G68000-0008	Return Spring	2
4	G88100-0007	Spring	1
5	G88100-0003	Pump Piston	1
6	G68100-0005	Hydraulic Unit	1
7	G59305-0005	Spring Washer, D10	1
8	G88100-0006	Bolt, M10x22	1
9	G68100-0006	Handle Sleeve Assembly	1
10	G68100-0004	Handle Grip	2
11	G88100-0012	Handle Assembly	1
12	G88100-0004	Release Valve	1
13	G88100-0008	Copper Washer	1
14	G88100-0013	Foot Pedal	1
15	G88100-0010	Return Spring	1
16	G68000-0003	Caster Assembly	2
17	G68000-0002	Wheel Assembly	2
-	G68100-0000	Repair Kit (a~q)	-

