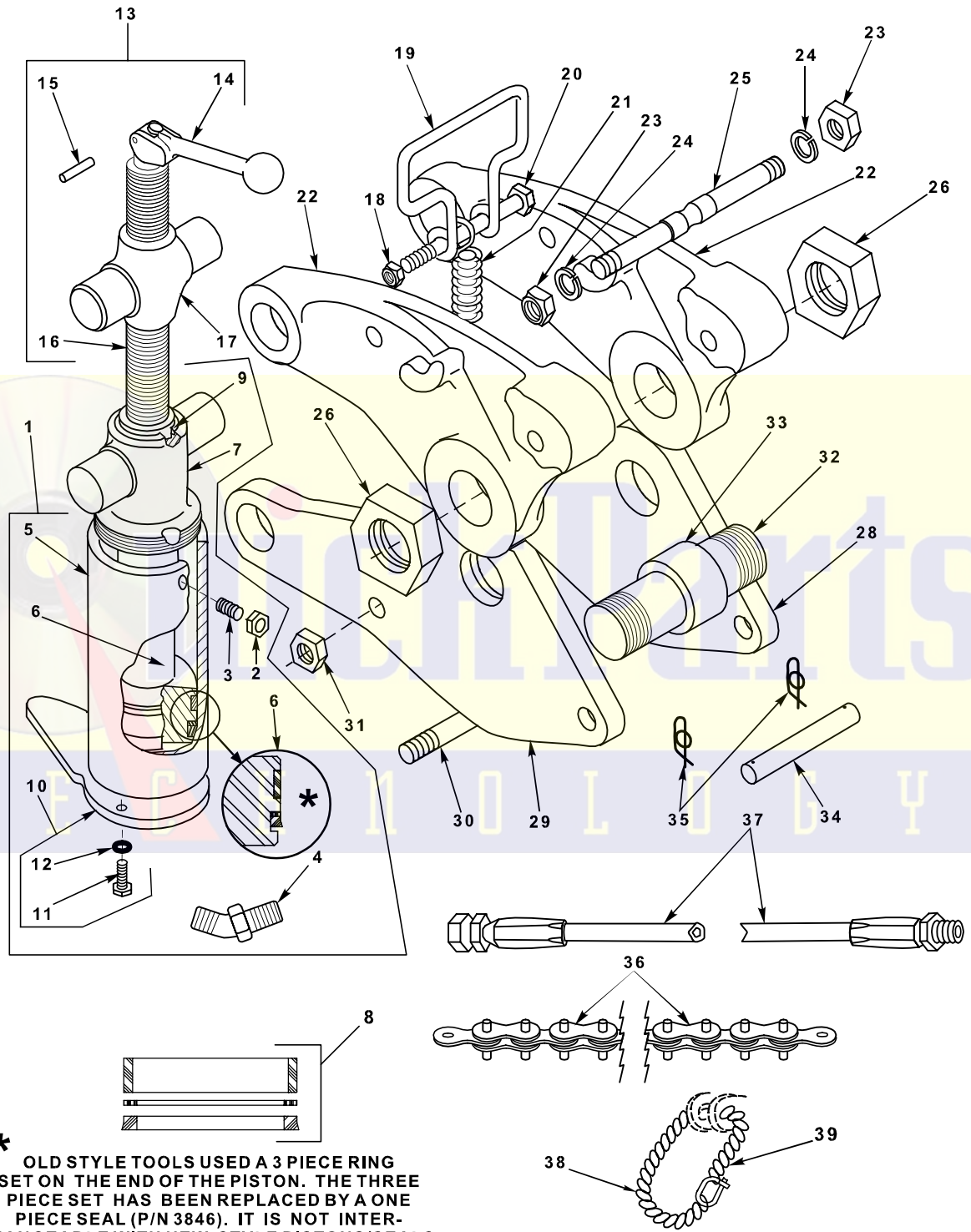


5590 SUPER HYDRAULIC CUTTER



5590 SUPER HYDRAULIC CUTTER

Item No.	Part No.	Description	Quantity Required
1	5534	Cylinder Assembly-Complete	1
2	126	..Lock Screw Nut	1
3	3537	..Cylinder Lock Screw	1
4	3833	..Piston-Complete	1
5	220279	..Replacement Seal Kit	1
6	3883	..Piston Wiper Ring	1
7	5509	..Cylinder Hose Fitting Guard with Screws and Washers	1
8	5532	..Ram Cylinder	1
9	3842	..Cylinder Trunnion	1
10	3850	Adjusting Screw Unit	1
11	275862	..Adjusting Screw Roll Pin	1
12	3855	..Adjusting Screw Crank Handle	1
13	3848	..Adjusting Screw	1
14	3841	Upper Trunnion	1
15	105	Upper Jaw Rear Tie Bolt Nut	1
16	3851	Carrying Handle	1
17	5595	Spring Tie Rod Bolt	1
18	3878	Return Spring	1
19	5510	Upper Jaw	2
20	3866	Upper Jaw Tie Stud Nut	2
21	3879	Upper Jaw Tie Stud Washer	2
22	223071	Upper Jaw Tie Stud	1
23	3893	Jaw Pivot Nut	2
24	5520	Lower Right Jaw	1
25	5521	Lower Left Jaw	1
26	5527	Tie Bolt	1
27	3828	Tie Bolt Nut	1
28	5592	Jaw Pivot	1
29	5584	Jaw Pivot Spacer	1
30	5605	Chain to Jaw Pin	1
31	3908	Hair Pin Clip	2
32	5524	Chain-18"-Complete	1
33	3915	Hose-10 Long	1
34	5700	Quick Coupler Assembly	1
35	5710	..Hose Half Only Coupler	1
36	5705	..Dust Cap-Ram Half (also part of item 1)	1
37	5750	..Coupler-Ram Half (also part of item 1)	1
38	5408	Handle	1
39	7179	Washer	2
40	5507	Screw	2
41	5418	Cold Shut	1