

Please read and save these instructions. Read carefully before attempting to assemble, install, operate or maintain the product described. Protect yourself and others by observing all safety information. Failure to comply with instructions could result in personal injury and/or property damage! Retain instructions for future reference.

# Westward® Hydraulic Service Jacks

## Description

Westward hydraulic service jacks are used for lifting part of a total vehicle (i.e., one wheel). Jacks are equipped with a built-in by-pass device to prevent damage to jack from overpumping. An internal safety valve prevents damage to jack from overloading. Applications include automotive, truck, farm, industrial and construction. Air models feature a powerful air motor, for effortless lifts of rated loads, conventional foot pumping and handle pumping. These jacks are designed to meet applicable ASME/ANSI Standards.

## Specifications

Model	Capacity	Length	Min. Height	Max. Height
3W927	4 Ton	50 5/8"	5"	24"
3ZC66	5	55 3/4"	7"	27"
3W928	10	54 3/4"	7"	27"
5M455 (air model)	4	50 5/8"	5"	24"
5M456 (air model)	5	57 3/4"	7"	27"
5M457 (air model)	10	54 3/4"	7"	27"

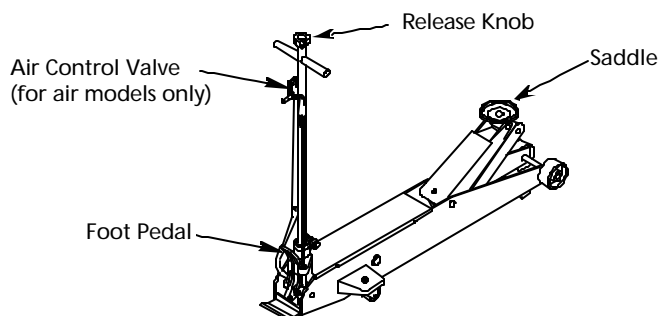


Figure 1 — Hydraulic Service Jack Components

## General Safety Information

**▲ WARNING** Study, understand, and follow all instructions before operating this device. Lifting device only. Intended use is for lifting part of a total vehicle, only one wheel or axle at a time. Immediately after lifting, support vehicle with appropriate means. Do not exceed rated capacity. Use only on hard, level surfaces capable of sustaining rated capacity loads. Lift only on those areas of the vehicle as specified by the vehicle manufacturer. Ensure that the lift point is properly centered on the jack saddle. Always wear safety glasses when using this equipment. Inspect jack before each use. Do not use if bent, broken, leaking, or damaged components are

noted. No alteration of this product is allowed. Do not use this device for any purpose other than that for which it was intended. Failure to heed any one or combination of these warnings may result in severe personal injury and/or property damage.

## Assembly

Use figure 1 as reference.

1. Assemble the handle to handle socket by inserting the handle piece into the socket; align the handle with jack chassis, then tighten the hexagon nut securely.
2. Try to operate the release mechanism by turning the release knob located on top of the handle

clockwise and counterclockwise to see if release shaft fits together well.

3. Occasionally, hydraulic jacks become air bound and will not function properly. To correct this condition, remove oil filler plug. This will allow any pressurized air to escape. Check for proper oil level (see Adding Oil, page 2), adjust as needed. DO NOT OVERFILL! Reinstall oil filler plug.
4. Pour a teaspoon of air tool lubricant into air supply inlet of air control valve. Connect to air supply and operate for 3 seconds to evenly distribute lubricant.
5. Squirt a small amount of hydraulic jack oil on pistons and thoroughly lubricate all moving parts of jack.

## Operation

**▲ WARNING** Off-centered loads and loads lifted while jack is not level may damage the jack or cause personal injury.

### LIFTING

1. Prevent inadvertent vehicle movement by fully engaging emergency brake, putting transmission in park. Use wheel chocks in pairs on the wheel diagonally opposed to the wheel or axle lifted.
2. Close release valve by turning the release knob on top of handle clockwise until it is firmly closed.
3. Position jack under load and align to the lift point suggested by vehicle manufacturer.
4. Operate jack by pumping the handle, foot pedal, or squeezing the lift control valve until saddle contacts load point. Ensure load is centered on saddle. Then operate jack until load reaches desired height.

# Westward® Hydraulic Service Jacks

## Operation (Continued)

**NOTE:** Never use foot pedal to raise load.

**▲ WARNING** *This is a lifting device only. The load must be supported immediately by other appropriate means.*

### LOWERING

**▲ WARNING** *Keep hands, feet, and clutter clear of ground area when lowering the load.*

SLOWLY open the release valve by turning the handle knob counterclockwise.

**▲ WARNING** *Avoid shock loads created by quickly opening and closing the release valve as the load is being lowered. Shock loads can create dangerously high operating pressures within the hydraulic system, causing system failure and resulting in personal injury and/or property damage.*

## Maintenance

**IMPORTANT:** When adding or replacing oil, always use a good grade

hydraulic jack oil. Do not use hydraulic brake fluid, alcohol, glycerine, detergent motor oil or dirty oil. Improper fluid can cause serious internal damage to the jack rendering it inoperative.

### ADDING OIL

1. Position the jack on level ground and fully lower the saddle. Remove oil filler plug.
2. Fill oil to within 3/8" of filler hole. **DO NOT OVERFILL!** If overfilled, the jack will not lower to published minimum height. If underfilled, the jack will not reach published maximum height. Adjust fluid level as needed. Always reinstall oil filler plug before use.

### REPLACING OIL

1. Remove oil filler plug.
2. Turn jack over and drain old oil out through oil filler plug hole.
3. Refill with new oil through the oil filler plug hole.

**IMPORTANT:** Do not allow dirt or other foreign material to enter the hydraulic system when filling.

4. After refilling, remove air from system by opening release valve and rapidly pumping handle several times. Reinstall oil filler plug when done.

### LUBRICATION

1. For all models, add lubricating oil to all moving parts as needed.
2. Models 3ZC66, 3W927, 3W928. Apply grease to grease fittings periodically.
3. Models 5M455, 5M456, 5M457. Pour air tool lubricant into the air supply inlet at air control valve periodically.

### PREVENTING RUST

1. Check ram and piston periodically for signs of corrosion. Clean as needed with an oily cloth.
2. When not in use, store jack with saddle and piston fully retracted.

## Troubleshooting Chart

Symptom	Possible Cause(s)	Corrective Action
Jack will not lift load	<ol style="list-style-type: none"> <li>1. Release valve not tightly closed</li> <li>2. Overload condition</li> <li>3. Pressure of air supply is too low (for air models)</li> </ol>	<ol style="list-style-type: none"> <li>1. Ensure release valve tightly closed</li> <li>2. Remedy overload condition</li> <li>3. Change to a suitable air source</li> </ol>
Jack bleeds off after lift	<ol style="list-style-type: none"> <li>1. Same as above</li> <li>2. Hydraulic unit malfunctioning</li> </ol>	<ol style="list-style-type: none"> <li>1. Same as above</li> <li>2. Replace</li> </ol>
Jack will not lower after unloading	<ol style="list-style-type: none"> <li>1. Reservoir overfilled</li> <li>2. Linkages binding</li> </ol>	<ol style="list-style-type: none"> <li>1. Drain fluid to proper level</li> <li>2. Clean and lubricate moving parts</li> </ol>
Poor lift performance	<ol style="list-style-type: none"> <li>1. Fluid level low</li> <li>2. Air trapped in system</li> </ol>	<ol style="list-style-type: none"> <li>1. Ensure proper fluid level</li> <li>2. With ram fully retracted, remove oil filler plug to let pressurized air escape, reinstall oil filler plug</li> </ol>
Will not lift to full height	Fluid level low	Ensure proper fluid level

# For Rear Parts, call 1-800-323-0620

## 24 hours a day - 365 days a year

Please provide following information:  
 -Model number  
 -Serial number (if any)  
 -Part description and number as shown in parts list

Address parts correspondence to:  
 Grainger Parts  
 P.O. Box 3074  
 1657 Shermer Road  
 Northbrook, IL 60065-3074 U.S.A.

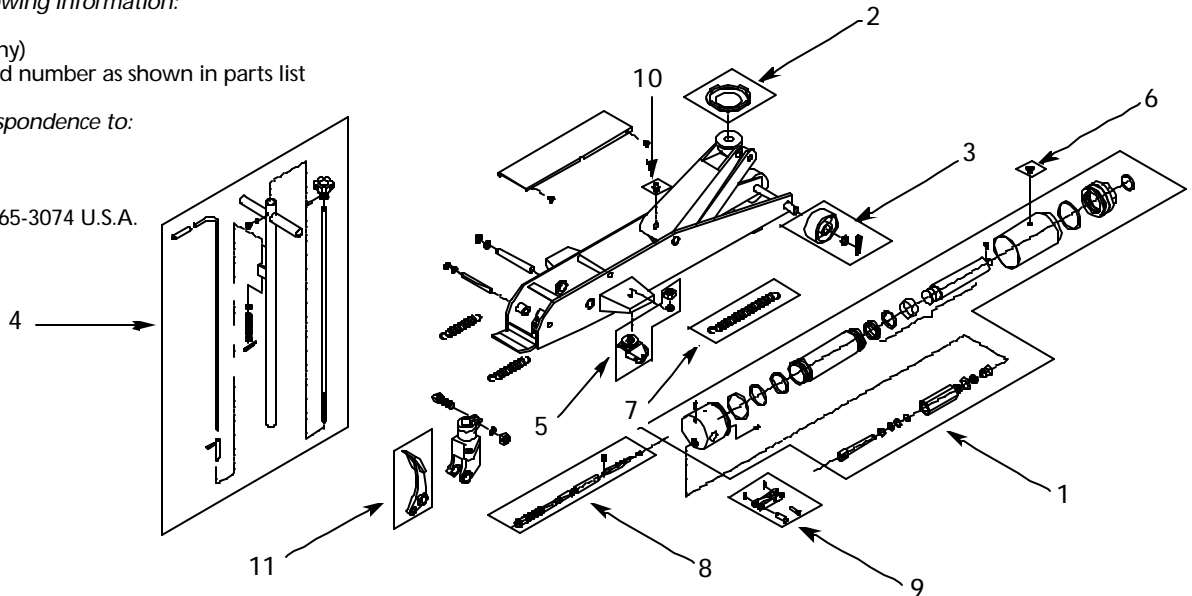


Figure 2 — Repair Parts Illustration for Models 3ZC66, 3W927 and 3W928

### Repair Parts List

Reference Number	Description	Part Number For Models:			Quantity
		3W927 (4 Ton)	3ZC66 (5 Ton)	3W928 (10 Ton)	
1	* Power Unit	42301	42501	41001	1
2	Saddle	42302	42502	41002	1
3	Front Wheel Assembly	42303	42503	41003	2
4	Handle Set	42304	42504	41004	1
5	Rear Caster	42305	42505	41005	2
6	Oil Filler Plug	42306	42506	41006	1
7	Return Spring	42307	42507	41007	1
8	Release Valve Cable	42308	42508	41008	1
9	Piston Links	42309	42509	41009	1
10	Greasing Nipple	42310	42510	N/A	1
11	Foot Pedal	42311	42511	41011	1

(\* ) No repair parts available for power unit.

#### LIMITED WARRANTY

**WESTWARD ONE-YEAR LIMITED WARRANTY.** Hydraulic Service Jacks, Models covered in this manual, are warranted by Westward to the original user against defects in workmanship or materials under normal use for one year after date of purchase. For limited warranty claim procedures, see PROMPT DISPOSITION below. This limited warranty gives purchasers specific legal rights which vary from jurisdiction to jurisdiction.

**LIMITATION OF LIABILITY.** To the extent allowable under applicable law, Westward's liability for consequential and incidental damages is expressly disclaimed. Westward's liability in all events is limited to and shall not exceed the purchase price paid.

**WARRANTY DISCLAIMER.** Westward has made a diligent effort to provide product information and illustrate the products in this literature accurately; however, such information and illustrations are for the sole purpose of identification, and do not express or imply a warranty that the products are MERCHANTABLE, or FIT FOR A PARTICULAR PURPOSE, or that the products will necessarily conform to the illustrations or descriptions.

Except as provided below, no warranty or affirmation of fact, expressed or implied, other than as stated in the "LIMITED WARRANTY" above is made or authorized by Westward.

**PRODUCT SUITABILITY.** Many jurisdictions have codes and regulations governing sales, construction, installation, and/or use of products for certain purposes, which may vary from those in neighboring areas. While Westward attempts to assure that its products comply with such codes, it cannot guarantee compliance, and cannot be responsible for how the product is installed or used. Before purchase and use of a product, review the product applications, and all applicable national and local codes and regulations, and be sure that the product, installation, and use will comply with them.

Certain aspects of disclaimers are not applicable to consumer products; e.g., (a) some jurisdictions do not allow the exclusion or limitation of incidental or consequential damages, so the above limitation or exclusion may not apply to you; (b) also, some jurisdictions do not allow a limitation on how long an implied warranty lasts, consequentially the above limitation may not apply to you; and (c) by law, during the period of this Limited Warranty, any implied warranties of implied merchantability or fitness for a particular purpose applicable to consumer products purchased by consumers, may not be excluded or otherwise disclaimed.

**PROMPT DISPOSITION.** Westward will make a good faith effort for prompt correction or other adjustment with respect to any product which proves to be defective within limited warranty. For any product believed to be defective within limited warranty, first write or call dealer from whom the product was purchased. Dealer will give additional directions. If unable to resolve satisfactorily, write to Westward at address below, giving dealer's name, address, date, and number of dealer's invoice, and describing the nature of the defect. Title and risk of loss pass to buyer on delivery to common carrier. If product was damaged in transit to you, file claim with carrier.

Manufactured for Grainger International, 100 Grainger Pkwy., Lake Forest, Illinois 60045 U.S.A.



# For Repair Parts, call 1-800-323-0620

24 hours a day - 365 days a year

Please provide following information:

- Model number
- Serial number (if any)
- Part description and number as shown in parts list

Address parts correspondence to:  
 Grainger Parts Operations  
 P.O. Box 3074  
 1657 Shermer Road  
 Northbrook, IL 60065-3074 U.S.A.

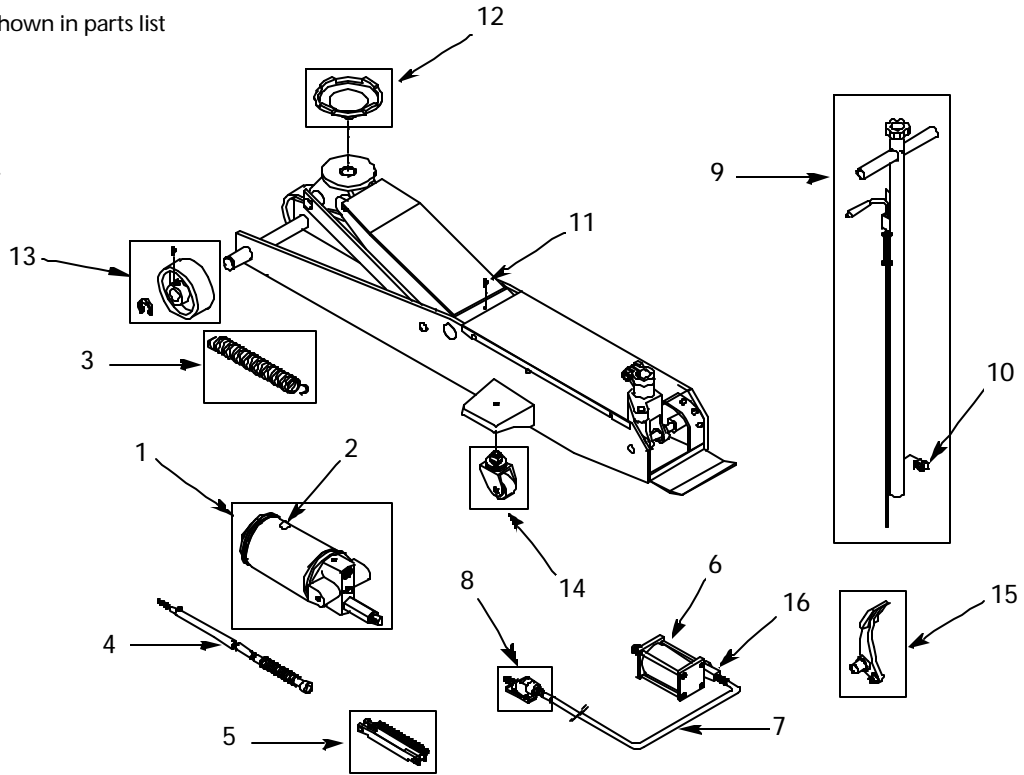


Figure 3 — Repair Parts Illustration for Models 5M455, 5M456 and 5M457

## Repair Parts List

Reference Number	Description	Part Number For Models:			Quantity
		5M455 (4 Ton)	5M456 (5 Ton)	5M457 (10 Ton)	
1	* Power Unit	2204101	2205101	2210101	1
2	Oil Filler Plug	2204102	2205102	2210102	1
3	Return Spring	2204103	2205103	2210103	1
4	Release Valve Cable	2204104	2205104	2210104	1
5	Piston Links	2204105	2205105	2210105	1
6	* Air Motor	24101-G24	24101-G24	24101-A27	1
7	Air Hose	24102	24102	24102	1
8	Air Control Valve	24103	24103	24103	1
9	Handle Set	2204109	2205109	2210109	1
10	Hose Clamp	2204110	2205110	2210110	1
11	Greasing Nipple	2204111	2205111	N/A	1
12	Saddle	2204112	2205112	2210112	1
13	Front Wheel Assembly	2204113	2205113	2210113	2
14	Rear Caster	2204114	2205114	2210114	2
15	Foot Pedal	2204115	2205115	2210115	1
16	Swivel Manifold	24104A	24104A	N/A	1

\* No repair parts available for power unit or air motor.