

Please read and save these instructions. Read carefully before attempting to assemble, install, operate or maintain the product described. Protect yourself and others by observing all safety information. Failure to comply with instructions could result in personal injury and/or property damage! Retain instructions for future reference.

Westward® Hydraulic Quick Lifting Service Jack SUV

Specifications

Model	Capacity	Chassis Length	Handle Length	Min Saddle Height	Max Saddle Height
1VW32	2-1/2 Ton	29-3/4"	49-7/8"	4"	20"
1AVR1	3 Ton	31-3/4"	51-1/2"	4"	23"

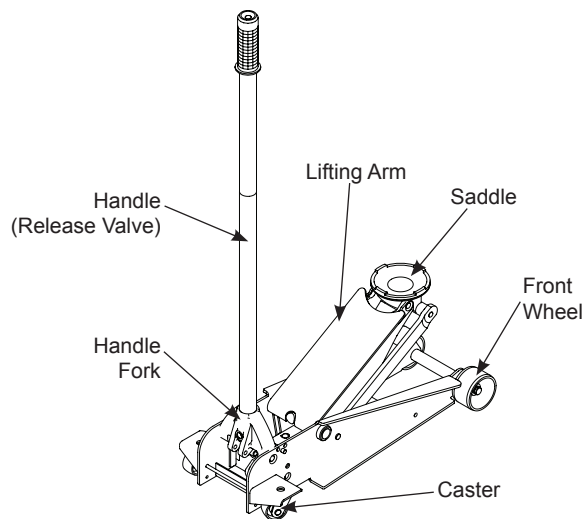


Figure 1- Model 1AVR1 Nomenclature

SAFETY AND GENERAL INFORMATION

Save these instructions. For your safety, read, understand, and follow the information provided with and on this device before using. The owner and/or operator shall have an understanding of the device, its operating characteristics and safety operating instructions before operating the equipment. The owner and/or operator shall be aware that use and repair of this product may require special skills and knowledge. Instructions and safety information shall be read to and discussed with the operator in the operator's native language, making sure that the operator comprehends their contents, before use of this equipment is authorized. If any doubt exists as to the safe and proper use of this device, remove from service immediately.

Inspect before each use. Do not use if abnormal conditions such as cracked welds, damaged, loose or missing parts are noted.

Any equipment that appears damaged in any way, is found to be worn, or operates abnormally shall be removed from service until repaired. If the equipment has been or is suspected to have been subjected to an abnormal load or shock, immediately discontinue use until inspected by a factory authorized repair facility (contact distributor or manufacturer for list of authorized repair facilities). It is recommended that an annual inspection be made by an authorized repair facility. Labels and Operator's Manuals are available from the manufacturer.

PRODUCT DESCRIPTION

Westward Hydraulic Quick Lifting Jack is designed for lifting, but not sustaining rated capacity loads. The Service Jack with Quick Lift System providing one pump to lift point contact, which allows a no-load lift possible in seconds. Intended use: To lift one axle of a vehicle for the purpose of service and /or repair of

vehicle components. After lifting, loads must be immediately supported by appropriately rated jack stands. Check with vehicle manufacturer's owners manual for proper lift points. This jack complies with applicable ANSI/PALD Standards.

WARNING

- Study, understand, and follow all instructions before operating this device.
- Do not exceed rated capacity.
- Use only on hard, level surface.
- Lifting device only. Immediately after lifting, support vehicle with appropriate means.
- Do not move or dolly the vehicle while on the jack.
- Ensure that the lift point is properly centered on the jack saddle.
- Lift only on areas of the vehicle as specified by the vehicle manufacturer.
- No alteration of this product is allowed.
- Failure to heed any one or combination of these warnings may result in severe personal injury and/or property damage.

PREPARATION

Before Use

1. Assemble the 2-piece handle with provided bolt.
2. Always secure the handle into the handle fork by means of the bolt and lock washer provided. Tighten securely to prevent accidental removal of handle while in use.

WARNING

Do not lift or carry jack by handle. Handle could dislodge and jack fall, resulting in possible injury or property damage.

Westward® Hydraulic Quick Lifting Service Jack SUV

3. Before using this product, read the operator's manual completely and familiarize yourself thoroughly with the product and its components, and recognize the hazards associated with its use.
4. Verify that the product and application are compatible.

PREPARATION (cont)

5. To familiarize yourself with basic operation, locate and turn the release valve (pump handle):
 - a. *Clockwise* until firm resistance is felt to further turning. This is the '**CLOSED**' release valve position used to raise the saddle.
 - b. *Counter-clockwise*, but no more than 1/2 turn from the closed position. This is the '**OPEN**' release valve position used to lower the saddle.
6. With saddle fully lowered and release valve closed, pump the handle. If lift arm responds immediately, jack is ready for use. If jack does not respond, follow **Bleeding/Venting Trapped Air** instruction below. Check oil level. Proper oil level will vary from just covering the ram cylinder to 3/16" above it as seen from the oil filler hole. Reinstall oil plug.
7. Ensure that jack rolls freely. Raise and lower the unloaded saddle throughout the entire lifting range before putting into service to ensure the pump operates smoothly. Replace worn or damaged parts and assemblies with authorized replacement parts only.

Bleeding/Venting Trapped Air

With the release valve in the OPEN position (step 5b. above) and with saddle fully lowered, locate and remove the oil filler plug. Pump handle 6 to 8 full strokes. This will help release pressurized air which may be trapped within the reservoir. Reinstall the oil filler plug and check operation.

OPERATION

WARNING

Off-centered loads and loads lifted while jack is not level may damage the jack or cause personal injury. Do not work on, under around a load supported only by jack. After lifting, load must be supported immediately by other appropriate means.

Lifting

1. Place vehicle transmission in park, with emergency brake on and wheels securely chocked to prevent inadvertent movement.
2. Close release valve by turning handle clockwise firmly. Position jack saddle under lift point.
3. Verify lift point. To lift, pump handle until load reaches desired height.
4. Transfer the load immediately to appropriately rated jack stands.

Lowering

1. Raise load high enough to clear jack stands, then carefully remove the jack stands.

WARNING

Clear all tools and personnel before lowering vehicle. Open release valve slowly. The further the pump handle is turned counter-clockwise, the faster the load will descend. Maintain control of load at all times.

2. To lower saddle, slowly turn handle counter-clockwise, but no more than 1/2 turn. If load fails to lower, carefully transfer the load to another lifting device and jack stands. Carefully remove affected jack and then stands. Carefully remove primary jack, again turning the release valve, slowly, no more than 1/2 turn.

MAINTENANCE

NOTICE: Use premium quality hydraulic

jack oil. Do not use hydraulic brake fluid, alcohol, glycerine, detergent motor oil or dirty oil. Improper fluid can cause serious internal damage to the jack rendering it inoperative.

Adding Oil

1. With saddle fully lowered and pump piston fully depressed, set jack in its level position. Locate and remove vent screw.
2. Fill until approximately 3/16" above the inner cylinder as seen from the filler hole. Re-install vent screw.

Changing Oil

For best performance and longest life, replace the complete fluid supply at least once per year.

1. With saddle fully lowered and pump piston fully depressed, remove vent screw.
2. Lay the jack on its side and drain the fluid into a suitable container.

NOTICE: Dispose of hydraulic fluid in accordance with local environmental regulations.

3. Fill with good quality jack oil. Reinstall vent screw.
4. Follow Bleeding/Venting Trapped Air procedure.

Lubrication

1. A coating of light lubricating oil to pivot points, axles and hinges will help to prevent rust and assure that wheels, casters and pump assemblies move freely.
2. Periodically check the pump piston and ram for signs of rust or corrosion. Clean as needed and wipe with an oily cloth.

NOTICE: Never use sandpaper or abrasive material on piston and ram surfaces.

3. When not in use, store the jack with pump piston and ram fully retracted.

For Repair Parts, call 1-800-323-0620

24 hours a day - 365 days a year

Please provide following information:

- Model number
- Serial number (if any)
- Part description and number as shown in parts list

Address parts correspondence to:

Grainger Parts
 P.O. Box 3074
 1657 Shermer Road
 Northbrook, IL 60065-3074 U.S.A.

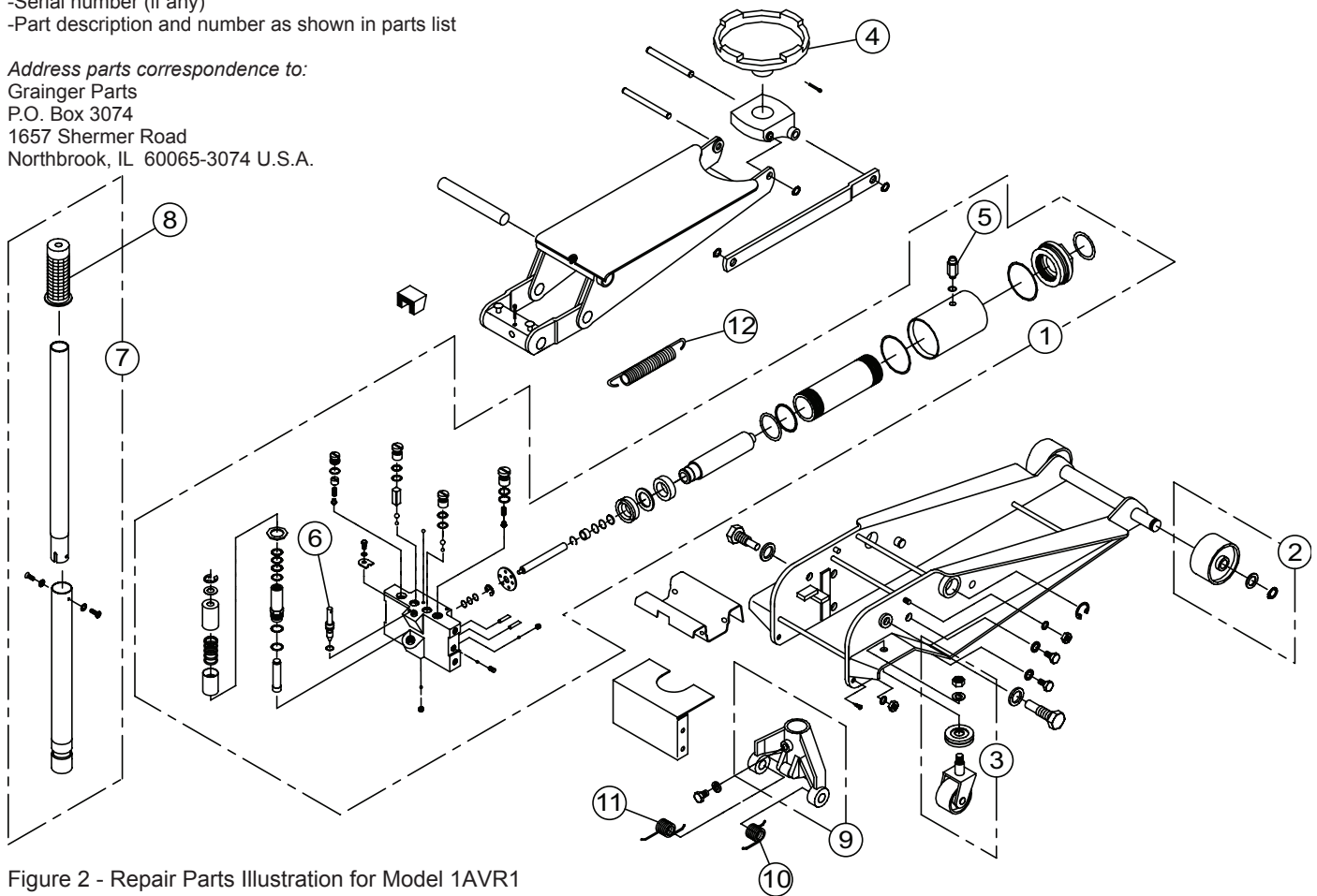


Figure 2 - Repair Parts Illustration for Model 1AVR1

REPAIR PARTS

Item	Description	1AVR1 Part Number	1VW32 Part Number	Quantity
1	Power Unit	G62S-03000-000	G610-11000-000	1
2	Front Wheel Assembly	G640-90010-K02	G640-90010-k02	2
3	Rear Caster Assembly	G62S-90009-K01	G610-90009-K03	2
4	Saddle	G610-00016-000	G610-00016-000	1
5	Vent Screw	G62S-03300-200	G62S-03300-200	1
6	U-joint Assy.	G610-90009-K06	G610-90009-K06	1
7	Handle Assembly	G62S-04000-000	G610-90009-K01	1
8	Handle Grip	G933-00001-000	G933-00001-000	1
9	Handle Sleeve Assembly	G610-06000-000	G610-06000-000	1
10	Handle Fork Return Spring, Right	G931-00009-000	G931-00009-000	1
11	Handle Fork Return Spring, Left	G610-00008-000	G610-00008-000	1
12	Return Spring	G62S-00002-000	G931-00003-000	2
**	Repair Kit, Hyd. Power Unit	G6900S-113	G6900S-113	1

Westward® Hydraulic Quick Lifting Service Jack SUV

TROUBLESHOOTING

Symptom	Possible Cause	Corrective Action
Jack will not lift load	<ul style="list-style-type: none"> • Release valve not tightly closed • Overload condition 	<ul style="list-style-type: none"> • Ensure release valve tightly closed • Remedy overload condition
Jack bleeds off after lift	<ul style="list-style-type: none"> • Release valve not tightly closed • Overload condition • Hydraulic unit malfunctioning 	<ul style="list-style-type: none"> • Ensure release valve tightly closed • Remedy overload condition • Replace
Jack will not lower after unloading	<ul style="list-style-type: none"> • Reservoir overfilled • Linkages binding 	<ul style="list-style-type: none"> • Drain fluid to proper level • Clean and lubricate moving parts
Poor lift performance	Fluid level low	<ul style="list-style-type: none"> • Ensure proper fluid level • Follow Bledding/Venting Trapped Air procedure
Will not lift to full height	Fluid level low	Ensure proper fluid level

LIMITED WARRANTY

WESTWARD ONE-YEAR LIMITED WARRANTY. Hydraulic Quick Lifting Service Jack SUV, Model covered in this manual, is warranted by Westward to the original user against defects in workmanship or materials under normal use for one year after date of purchase. Any part which is determined to be defective in material or workmanship and returned to an authorized service location, as Westward designates, shipping costs prepaid, will be, as the exclusive remedy, repaired or replaced at Westward's option. For limited warranty claim procedures, see PROMPT DISPOSITION below. This limited warranty gives purchasers specific legal rights which vary from jurisdiction to jurisdiction.

LIMITATION OF LIABILITY. To the extent allowable under applicable law, Westward's liability for consequential and incidental damages is expressly disclaimed. Westward's liability in all events is limited to and shall not exceed the purchase price paid.

WARRANTY DISCLAIMER. Westward has made a diligent effort to provide product information and illustrate the products in this literature accurately; however, such information and illustrations are for the sole purpose of identification, and do not express or imply a warranty that the products are MERCHANTABLE, or FIT FOR A PARTICULAR PURPOSE, or that the products will necessarily conform to the illustrations or descriptions. Except as provided below, no warranty or affirmation of fact, expressed or implied, other than as stated in the "LIMITED WARRANTY" above is made or authorized by Westward.

PRODUCT SUITABILITY. Many jurisdictions have codes and regulations governing sales, construction, installation, and/or use of products for certain purposes, which may vary from those in neighboring areas. While Westward attempts to assure that its products comply with such codes, it cannot guarantee compliance, and cannot be responsible for how the product is installed or used. Before purchase and use of a product, review the product applications, and all applicable national and local codes and regulations, and be sure that the product, installation, and use will comply with them.

Certain aspects of disclaimers are not applicable to consumer products; e.g., (a) some jurisdictions do not allow the exclusion or limitation of incidental or consequential damages, so the above limitation or exclusion may not apply to you; (b) also, some jurisdictions do not allow a limitation on how long an implied warranty lasts, consequentially the above limitation may not apply to you; and (c) by law, during the period of this Limited Warranty, any implied warranties of implied merchantability or fitness for a particular purpose applicable to consumer products purchased by consumers, may not be excluded or otherwise disclaimed.

PROMPT DISPOSITION. Westward will make a good faith effort for prompt correction or other adjustment with respect to any product which proves to be defective within limited warranty. For any product believed to be defective within limited warranty, first write or call dealer from whom the product was purchased. Dealer will give additional directions. If unable to resolve satisfactorily, write to Westward at address below, giving dealer's name, address, date, and number of dealer's invoice, and describing the nature of the defect. Title and risk of loss pass to buyer on delivery to common carrier. If product was damaged in transit to you, file claim with carrier.

Manufactured for Grainger International, 100 Grainger Pkwy., Lake Forest, Illinois 60045 U.S.A.