

Please read and save these instructions. Read carefully before attempting to assemble, install, operate or maintain the product described. Protect yourself and others by observing all safety information. Failure to comply with instructions could result in personal injury and/or property damage! Retain instructions for future reference.

# Westward® Air/ Manual Hydraulic Bottle Jack

## Description

Westward air/manual hydraulic bottle jack, model 1AVR5A is ideal for use in the shop, home, or in an industrial setting. A minimum of 150 PSI is required to lift rated capacity loads. The manual function allows for normal operation any where, even without an air supply. RECOMMENDED AIR SUPPLY: 110-175 PSI at 7.8 CFM. (at least 3 HP is recommended). Jack can be manually operated vertically or in the horizontal with pump positioned directly below the reservoir (see Figure 2). However, air operation needs to be in vertical position. This jack is designed to meet or exceed ANSI / PALD Standards.

## Specifications

Model	Capacity	Base Size	Min. Height	Max. Height
1AVR5A	30 Ton	10-1/4" x 8-1/4"	11"	18-1/8"

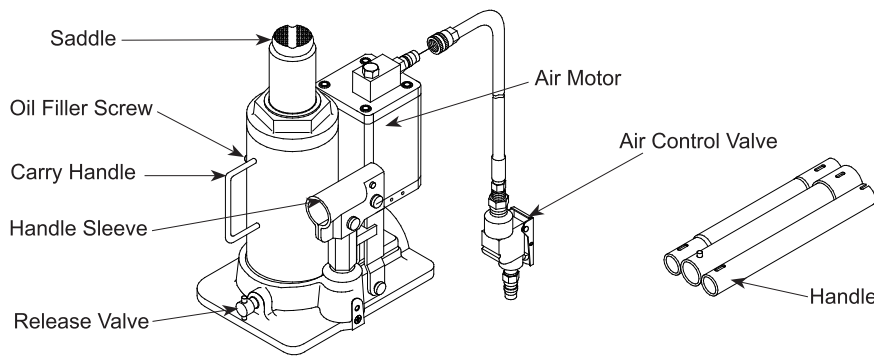


Figure 1- Air/Manual Hydraulic Bottle Jack Components

## General Safety Information

**▲ WARNING** Study, understand, and follow all instructions before operating this device. Lifting device only. Intended use is for lifting part of a total vehicle, only one wheel or axle at a time. Immediately after lifting, support vehicle with appropriate means. Do not exceed rated capacity. Use only on a hard level surface capable of sustaining rated capacity loads. Lift only on those areas of the vehicle as specified by the vehicle manufacturer. Ensure that the lift point is properly centered on the jack saddle. Always wear safety glasses when using this equipment. Inspect jack before each use. Do not use if bent, broken, leaking, or damaged components are noted. No alteration of this product is allowed. Do not use this device for any purpose other than that for which it was intended. Failure to heed any one or

combination of these warnings may result in severe personal injury and/or property damage.

## Before Use

Use figure 1 as reference.

- Occasionally hydraulic jacks become air bound and will not function properly. To correct this condition, remove oil filler screw. This will allow any pressurized air to escape.
  - Ensure the oil level is even with or just below the oil filler hole.
  - Reinstall the oil filler screw.
- Thoroughly lubricate all moving parts of the jack.
  - Raise the saddle to full height by closing release valve and pumping

handle.

- Oil surface of ram as well as all moving parts in the handle and lifting mechanism.

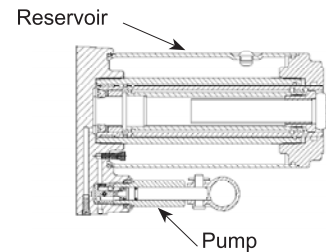


Figure 2 - Jack in Horizontal Position

## Operation

### LIFTING

- Prevent inadvertent vehicle movement by fully engaging emergency brake, putting transmission in park. Use wheel chocks in pairs on the wheel diagonally opposed to the wheel or axle being lifted.
  - Assemble 3 piece handle by lining up spring pins with corresponding slots.
  - Close release valve by turning handle clockwise until it is firmly closed.
  - Position jack under load (refer to vehicle owners manual for proper lift point location), close release valve by turning clockwise firmly. Operate manually by pumping with handle or by connecting to air supply and squeezing air control valve until saddle contacts load. To end air lift simply release grip on air control valve.
- ▲ WARNING** Off center loads and loads lifted while jack is not level may damage the jack or cause personal injury.
- Raise load to desired height and immediately transfer load to jack stands.

# Westward® Air/ Manual Hydraulic Bottle Jack

## Operation (Continued)

### LOWERING

1. Insert handle onto release valve and slowly turn handle counterclockwise no more than 1/2 full turn.

**IMPORTANT:** Avoid “shock load” created by quickly opening and closing the release valve as load is being lowered. This may result in an overloading of the hydraulic circuit and possible damage to the jack.

2. Push handle sleeve down manually if still extended to reduce piston exposure to rusting.

## Maintenance

**IMPORTANT:** Use only a good grade hydraulic jack oil such as Mobil DTE 13M or equivalent. Avoid mixing types of oil. Do not use brake fluid, alcohol, glycerin, detergent motor oil, or dirty oil. Improper fluid can cause serious internal damage to the jack rendering it inoperative.

### ADDING OIL

1. With saddle fully lowered and piston depressed, set jack in its upright level position and remove oil filler screw.
2. Fill until oil is level with or just below filler hole.

### CHANGING OIL

1. For best performance and longest life, replace the complete oil supply at least once a year.

2. To drain oil completely, remove the filler screw.
3. Lay the jack on its side and allow the oil to run out into suitable drain pan. Dispose of in accordance with local regulations.
4. Replace with proper oil as described above.

### LUBRICATION

Add lubricating oil to all pivoting sections every 3 months.

### RUST PREVENTION

Check ram and piston for signs of rust on a regular basis. Clean as needed with a lint free, oil saturated cloth.

**NOTE:** When not in use, always leave the saddle and ram all the way down.

## Troubleshooting Chart

Symptom	Possible Cause(s)	Corrective Action
Jack will not lift load	<ol style="list-style-type: none"> <li>1. Release valve not tightly closed</li> <li>2. Overload condition</li> <li>3. Pressure of air supply too low</li> </ol>	<ol style="list-style-type: none"> <li>1. Ensure release valve tightly closed</li> <li>2. Remedy overload condition</li> <li>3. Change to adequate air supply.</li> </ol>
Jack lift but not maintaining pressure	<ol style="list-style-type: none"> <li>1. Release valve not tightly closed</li> <li>2. Overload condition</li> <li>3. Hydraulic unit malfunctioning</li> </ol>	<ol style="list-style-type: none"> <li>1. Ensure release valve tightly closed</li> <li>2. Remedy overload condition</li> <li>3. Replace hydraulic unit</li> </ol>
Jack will not lower after unloading	<ol style="list-style-type: none"> <li>1. Reservoir overfilled</li> <li>2. Linkages binding</li> </ol>	<ol style="list-style-type: none"> <li>1. Drain fluid to proper level</li> <li>2. Clean and lubricate moving parts</li> </ol>
Poor lift performance	<ol style="list-style-type: none"> <li>1. Fluid level low</li> <li>2. Air trapped in system</li> </ol>	<ol style="list-style-type: none"> <li>1. Ensure proper fluid level</li> <li>2. With ram fully retracted, remove oil filler screw to let pressurized air escape, reinstall oil filler screw</li> </ol>
Will not lift to full height	Fluid level low	Ensure proper fluid level



**For Repair Parts, call 1-800-323-0620**  
**24 hours a day - 365 days a year**

Please provide following information:

- Model number
- Serial number (if any)
- Part description and number as shown in parts list

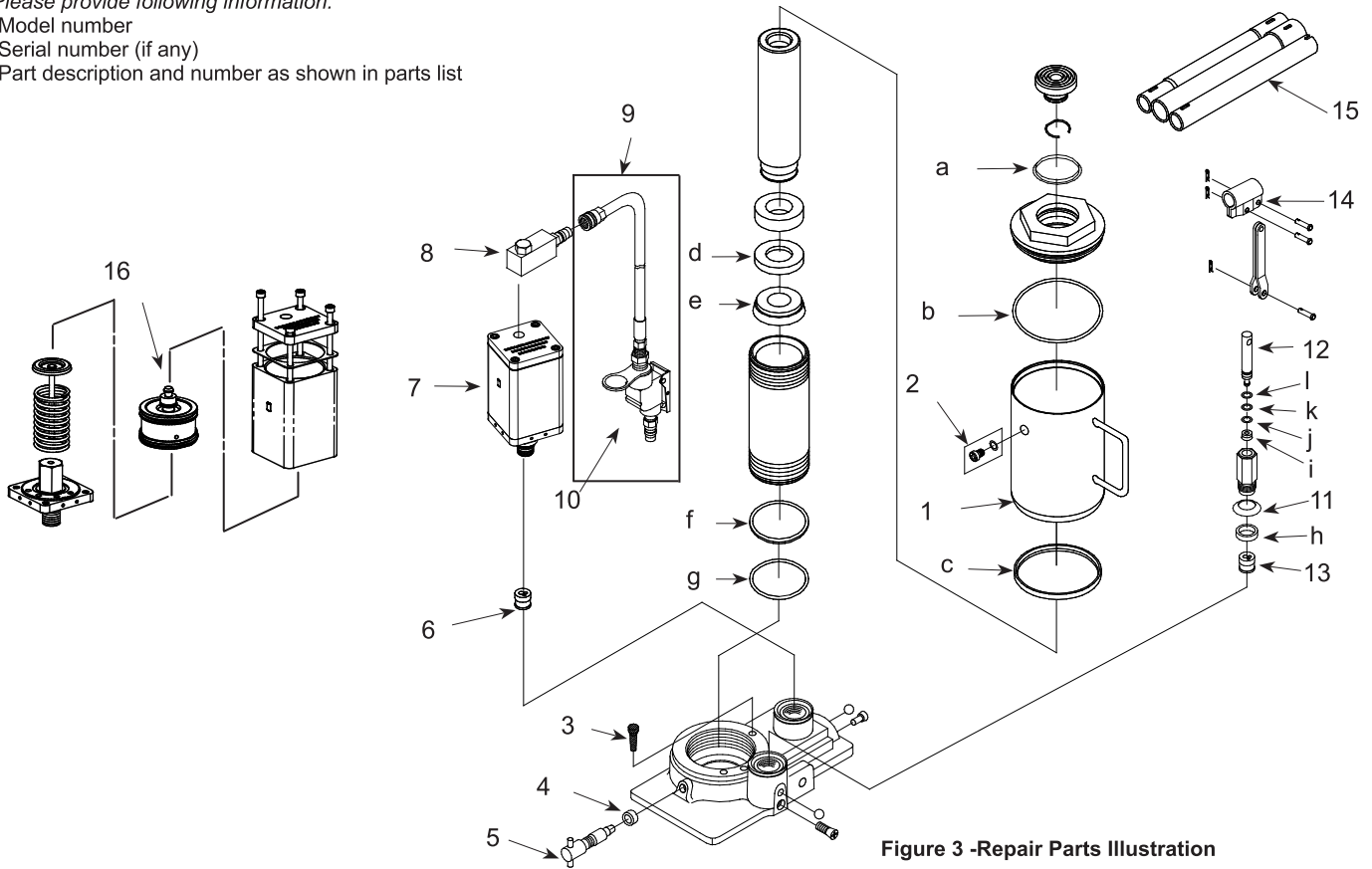


Figure 3 -Repair Parts Illustration

Reference Number	Description	Part Number	Quantity
1	Reservoir	B300-15000-000	1
2	Filler Screw	A070-90038-K02	1
3	Filter	B120-10003-000	2
4	Seal	5905-00054-000	1
5	Release Valve	BT02-17100-000	1
6	Hyd. Cartridge	BL80-15000-000	1
7	Air Motor	A27010-0001	1
8	Air Inlet Swivel	A27010-0002	1
9	Hose Assy.	A20060-0005	1
10	Lift Control Valve	A20060-0007	1
11	Washer	B300-14002-000	1
12	Pump Piston	B300-14101-000	1
13	Hyd. Cartridge	G150-04500-000	1
14	Handle Socket	B300-13000-000	1
15	Handle Assembly	B300-17000-000	1
16	Piston, Air Motor	A270-01100-0000	1
*	Seal Kit (a ~ l)	A3007S-041	1
**	Seal Kit, Air Motor	A27010-0000	1

---

# Westward® Air/ Manual Hydraulic Bottle Jack

---

## **LIMITED WARRANTY**

**WESTWARD ONE-YEAR LIMITED WARRANTY.** *Air/Manual Hydraulic Bottle Jack*, covered in this manual, is warranted by Westward to the original user against defects in workmanship or materials under normal use for one year after date of purchase. For limited warranty claim procedures, see PROMPT DISPOSITION below. This limited warranty gives purchasers specific legal rights which vary from jurisdiction to jurisdiction.

**LIMITATION OF LIABILITY.** To the extent allowable under applicable law, Westward's liability for consequential and incidental damages is expressly disclaimed. Westward's liability in all events is limited to and shall not exceed the purchase price paid.

**WARRANTY DISCLAIMER.** Westward has made a diligent effort to provide product information and illustrate the products in this literature accurately; however, such information and illustrations are for the sole purpose of identification, and do not express or imply a warranty that the products are MERCHANTABLE, or FIT FOR A PARTICULAR PURPOSE, or that the products will necessarily conform to the illustrations or descriptions.

Except as provided below, no warranty or affirmation of fact, expressed or implied, other than as stated in the "LIMITED WARRANTY" above is made or authorized by Westward.

**PRODUCT SUITABILITY.** Many jurisdictions have codes and regulations governing sales, construction, installation, and/or use of products for certain purposes, which may vary from those in neighboring areas. While Westward attempts to assure that its products comply with such codes, it cannot guarantee compliance, and cannot be responsible for how the product is installed or used. Before purchase and use of a product, review the product applications, and all applicable national and local codes and regulations, and be sure that the product, installation, and use will comply with them.

Certain aspects of disclaimers are not applicable to consumer products; e.g., (a) some jurisdictions do not allow the exclusion or limitation of incidental or consequential damages, so the above limitation or exclusion may not apply to you; (b) also, some jurisdictions do not allow a limitation on how long an implied warranty lasts, consequentially the above limitation may not apply to you; and (c) by law, during the period of this Limited Warranty, any implied warranties of implied merchantability or fitness for a particular purpose applicable to consumer products purchased by consumers, may not be excluded or otherwise disclaimed.

**PROMPT DISPOSITION.** Westward will make a good faith effort for prompt correction or other adjustment with respect to any product which proves to be defective within limited warranty. For any product believed to be defective within limited warranty, first write or call dealer from whom the product was purchased. Dealer will give additional directions. If unable to resolve satisfactorily, write to Westward at address below, giving dealer's name, address, date, and number of dealer's invoice, and describing the nature of the defect. Title and risk of loss pass to buyer on delivery to common carrier. If product was damaged in transit to you, file claim with carrier.

**Manufactured for Grainger International, 100 Grainger Pkwy., Lake Forest, Illinois 60045 U.S.A.**