

**WEAVER<sup>®</sup>**

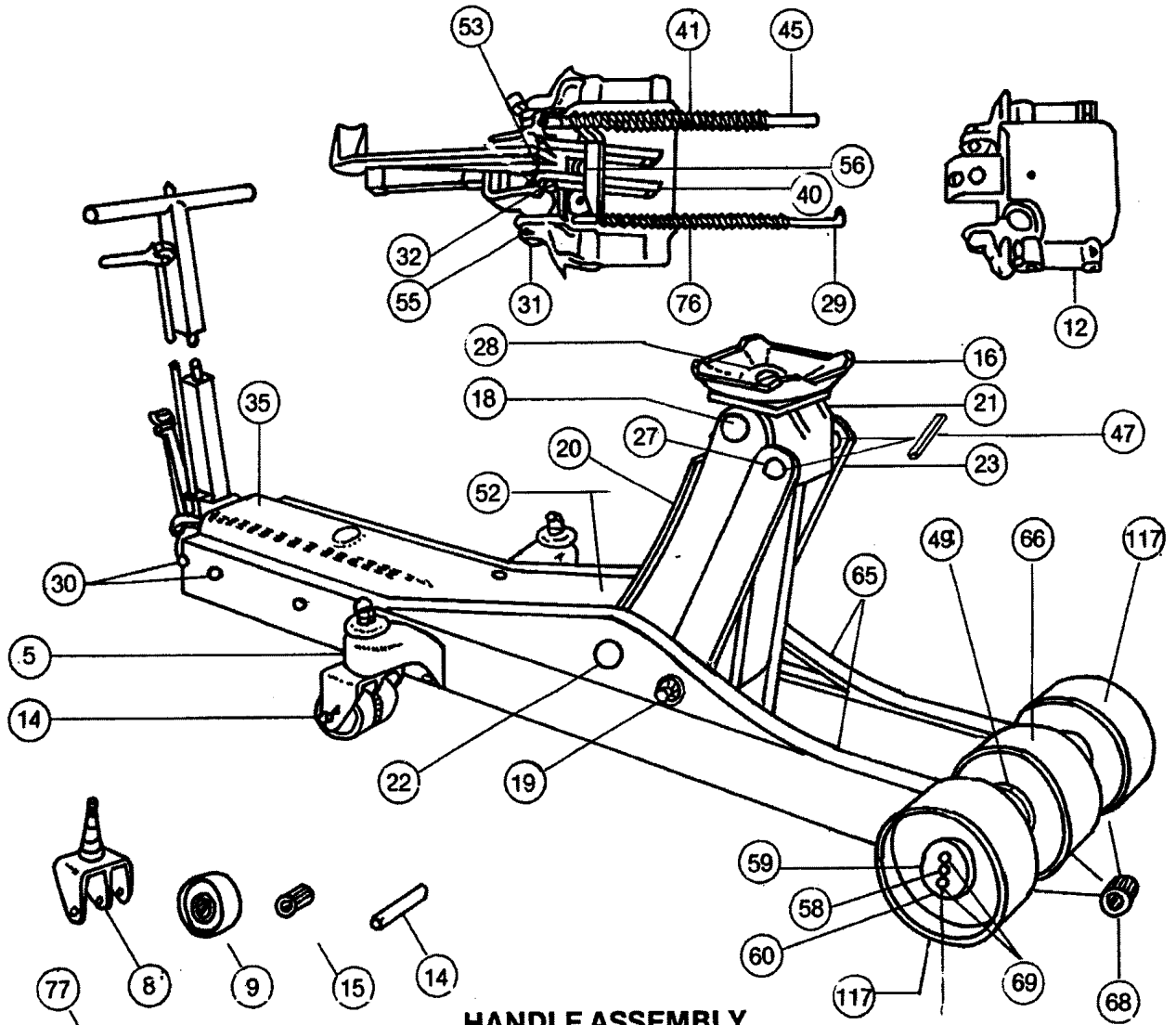
# **Model WA-85**

## **Parts List and Breakdown**

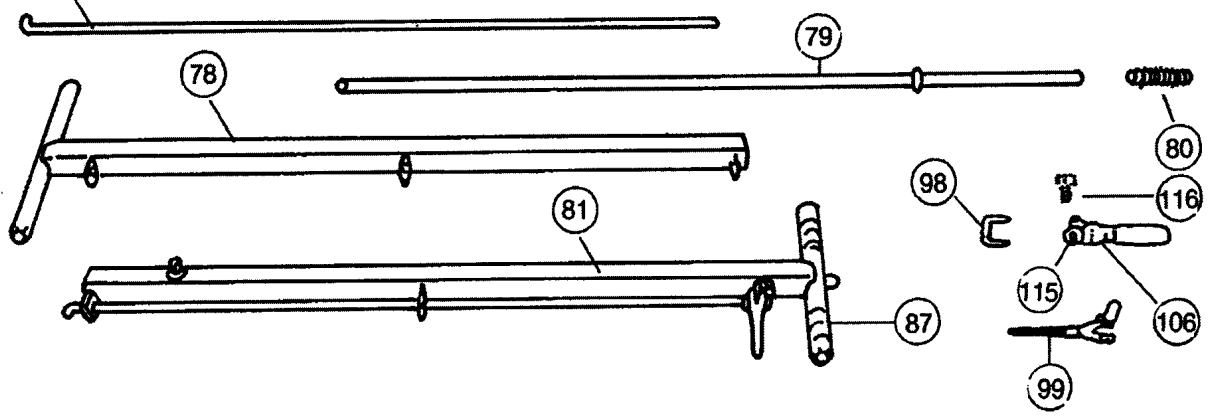
**Weaver Jack Corporation  
343 Lawrence Street  
Adrian, MI 49221  
(517) 263-6500**

# WA-85 Parts Breakdown

## FRAME AND LIFTING ARM ASSEMBLIES

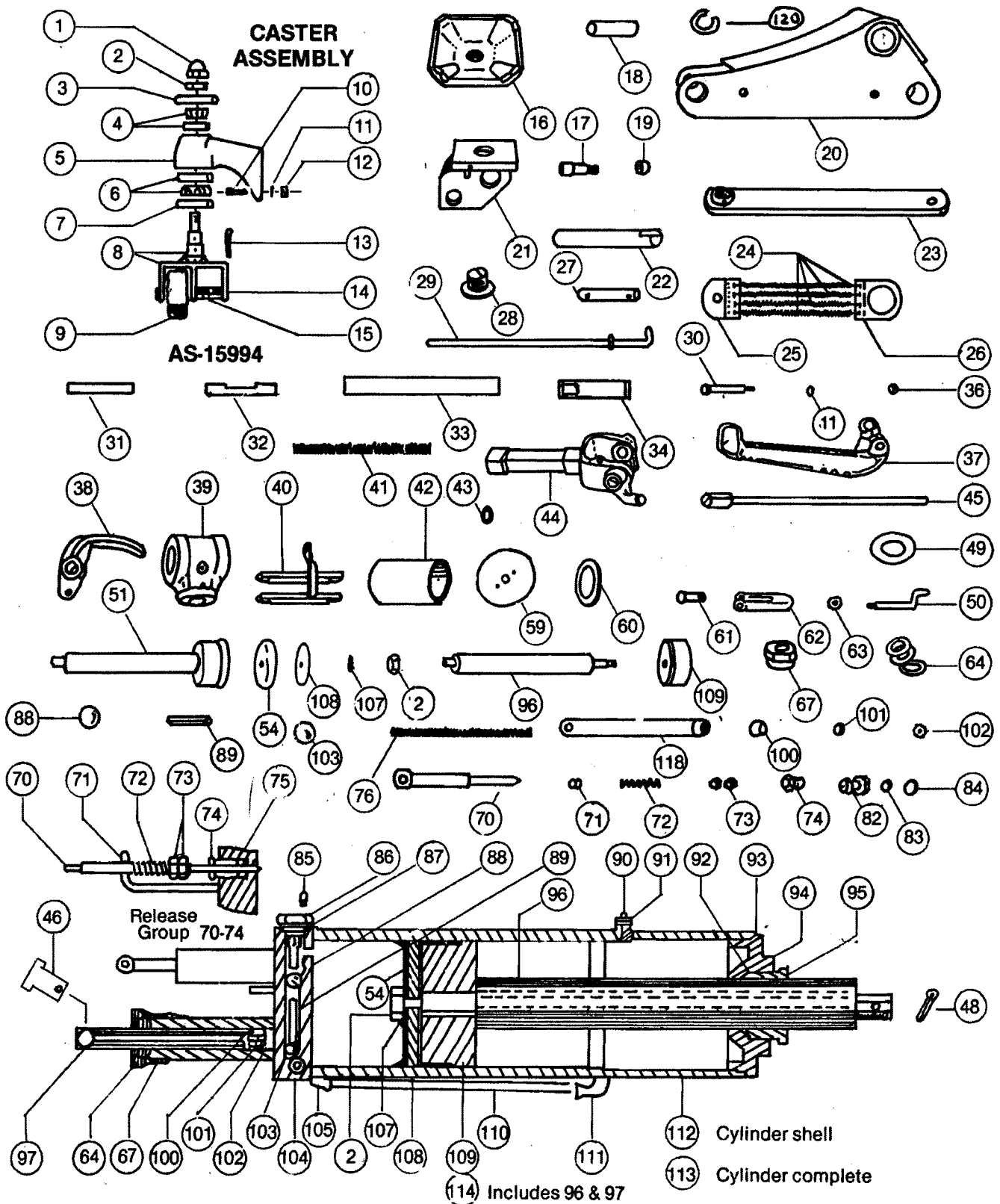


## HANDLE ASSEMBLY



# WA-85 Parts Breakdown

## MISCELLANEOUS CASTINGS AND STEEL PARTS CUP LEATHERS, PACKING, GASKETS AND FOLLOWERS



## WA-85 Repair Parts List

ITEM #	PART #	DESCRIPTION	ITEM #	PART #	DESCRIPTION
1.	S-6605	ACORN NUT	61.	S-4710	RELEASE LEVER PIN
2.	S-2232	JAM NUT	62.	S-5123	RELEASE YOKE
3.	S-24650	BEARING CAP	63.	S-1863	5/16-24 JAM NUT
4.	AS-15814	UPPER BEARING ASSEMBLY	64.	S-7412	PACKING
5.	M-2028	CASTER BRACKET	65.	AS-15930	FRAME ASSEMBLY
6.	AS-15815	LOWER BEARING ASSEMBLY	66.	AS-16037	CENTER WHEEL
7.	S-15429	BEARING RETAINER	67.	M-1167	PACKING NUT
8.	AS-15957	CASTER ASSEMBLY	68.	S-11103	FRONT ROLLER BEARING
9.	M-1152	CASTER WHEEL	69.	S-1877	1/4 X 3/4 CAP SCW, HX HD
10.	S-4594	HEX SCW 1/2 X 2-1/2	70.	S-21050	RELEASE VALVE
11.	S-1571	1/2 LOCKWASHER	71.	S-5173	VALVE GUIDE
12.	S-9522	1/2 NUT	72.	S-2591	RELEASE SPRING
13.	S-293	COTTER PIN	73.	S-1934	LOCK NUT 3/8
14.	S-15971	CASTER AXLE	74.	S-5176	RELEASE PACKING NUT
15.	S-15398	BEARING	75.	AS-21052	PACKING HOUSE ASSEMBLY
16.	M-2043	SADDLE	76.	S-9786	COMP. SPRING
17.	S-15975	SHOULDER BOLT	77.	S-5261	RELEASE ROD
18.	S-15973	SADDLE BRACKET PIN	78.	AS-6660	HANDLE SHELL
19.	S-15987	CASTLE NUT	79.	AS-6550	LOCK ROD
20.	AS-15944	LIFTING ARM	80.	S-2329	LOCK ROD RETURN SPRING
21.	AS-15950	SADDLE BRACKET	81.	AS-6545	HANDLE ASSEMBLY
22.	S-15974	LIFT ARM PIN	82.	S-21051	O-RING HOUSING
23.	AS-15954	PAR. LINK	83.	S-15047	O-RING
24.	S-16061	LIFT ARM SPRING	84.	S-17829	O-RING
25.	S-16059	SPRING RETAINER	85.	S-1805	PIPE PLUG
26.	S-16058	SPRING RETAINER	86.	S-16196	BALL CHAMBER PLUG
27.	S-15972	PAR. LINK PIN	87.	S-20886	HANDLE GRIP
28.	S-16098	SADDLE SCREW	88.	S-5122	5/8 BALL
29.	S-27384	SPRING ROD	89.	S-5355	BALL WEIGHT
30.	S-7394	TIECASTING BOLT	90.	S-7026	VENT PLUG
31.	S-6551	TIECASTING PIN	91.	S-5178	PIPE PLUG
32.	S-6552	FOOT PEDAL PIN	92.	S-16022	PISTON PACKING
33.	S-15978	AXLE	93.	S-22964	CYLINDER CAP GASKET
34.	S-15976	CROSSHEAD PIN	94.	M-2041	CYLINDER CAP
35.	AS-16051	COVER PLATE	95.	M-2042	PACKING NUT
36.	S-508	HEX NUT 1/2	96.	S-15969	PISTON ROD
37.	M-1416	FOOT PEDAL	97.	S-24497	PUMP PISTON ROD
38.	M-1148	RELEASE LEVER	98.	S-7075	RELEASE LOCK
39.	M-2045	CROSSHEAD	99.	AS-22107	RELEASE LEVER ASSEMBLY
40.	AS-16039	PUMP BRACKET (OR M-2237)	100.	S-24648	PUMP CUP
41.	S-1365	COMP. SPRING	101.	S-7413	PUMP CUP WASHER
42.	S-15996	LIFT ARM BUSHING	102.	S-1863	HEX NUT
43.	S-5125	ALUMINUM WASHER	103.	S-3282	7/16 BALL
44.	M-1414	HANDLE YOKE	104.	S-5652	3/8 PIPE PLUG
45.	AS-20495	YOKE RETURN ROD	105.	S-2	LINE CONNECTOR
46.	S-6549	PIN	106.	M-1157	RELEASE LEVER
47.	S-794	COTTER PIN 3/16 X 1-1/2	107.	S-3010	3/4 INT. LOCKWASHER
48.	S-3234	COTTER PIN 3/16 X 2-1/2	108.	S-15968	RAM CUP WASHER
49.	S-5200	INSIDE HUB WASHER	109.	M-2167	RAM HEAD
50.	S-16070	RELEASE PULL LEVER	110.	S-3	RETURN LINE
51.	AS-16054	PISTON ROD ASSEMBLY	111.	S-4	LINE CONNECTOR ELBOW
52.	S-16032	NAME PLATE	112.	AS-15962	CYLINDER SHELL
53.	S-23872	1/4-20 SQ HD SET SCW	113.	AS-15961	CYLINDER COMPLETE
54.	S-16023	PISTON CUP	114.	AS-15965	RAM HEAD ASSEMBLY
55.	S-15694	ROLL PIN	115.	S-23689	ROLL PIN 1/4 X 1/2
56.	S-6586	RELEASE LEVER PIN	116.	S-5098	1/4-20 SQ HD SET SCW
57.	M-1423	TIE CASTING	117.	AS-12588	FRONT WHEEL
58.	S-5096	GREASE FITTING	118.	AS-24498	PUMP ROD ASSEMBLY
59.	S-9147	WHEEL BEARING COVER	119.	S-543	1/4 LOCK WASHER
60.	S-9149	INSIDE WHEEL WASHER	120.	S-25661	BEARING SPACER