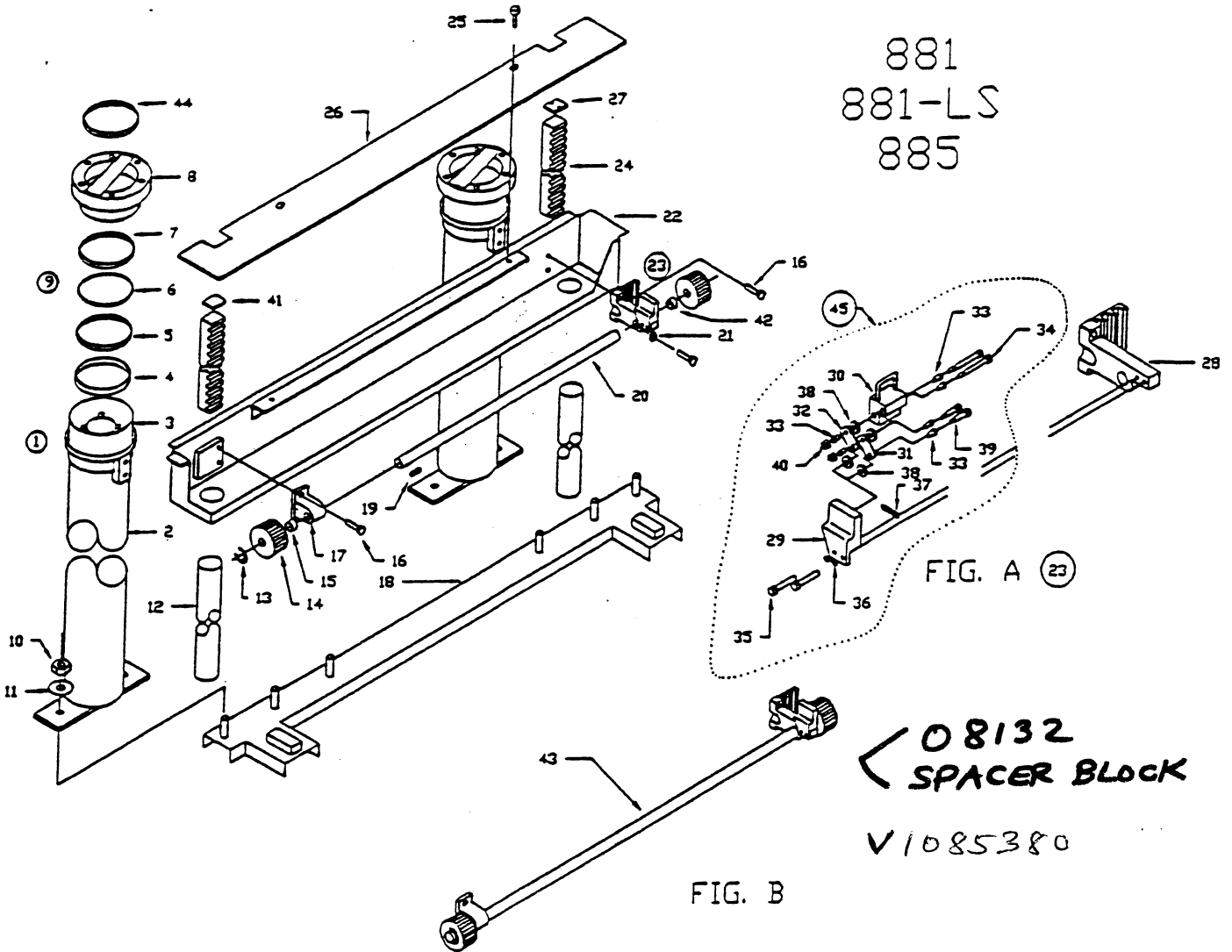


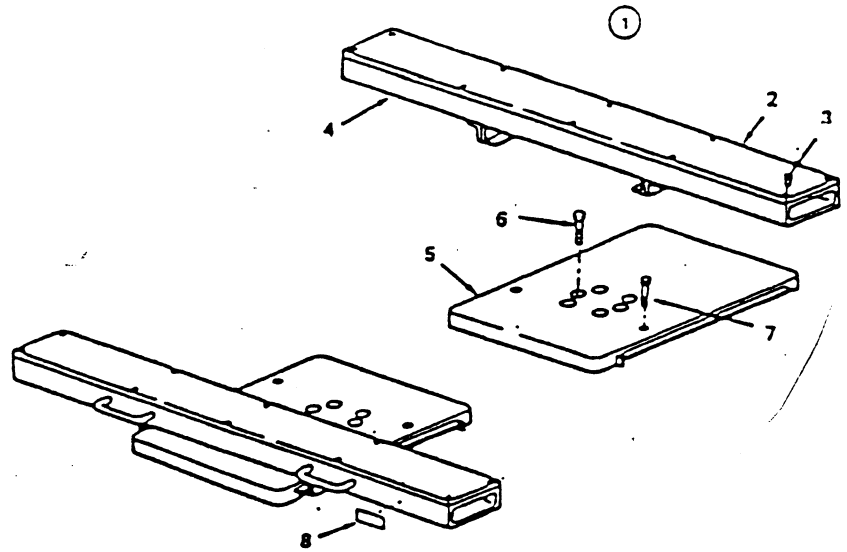
881  
881-LS  
885



ITEM	PART NO.	QTY.	DESCRIPTION	ITEM	PART NO.	QTY.	DESCRIPTION
1	V1080671	2	TUBE & PLUNGER ASSY.	23	VKL-345	1	BEARING BLOCK ASSEMBLY
2	V1080670	2	TUBE V.A.	24	V1080236	2	RACK
3	VKL-176	2	PLUNGER ASSY. INCLUDES ITEM 8	25	VS-722	2	CAPSCREW 1/2 x 1
4	VA-1325	2	PACKING FOLLOWER	26	V1085383	1	TRENCH COVER DOOR
5	VS-5857	4	PACKING	27	V1085393	1	ARM TRIP PIN
6	VS-5858	2	GASKET	28	V1088218	1	PILLOW BLOCK
7	VS-18868	2	FLAX VIPER	29	08140	1	MOUNTING BLOCK
8	VM-2100	2	GLAND	30	V1088216	1	LOCKING PAWL
9	VKL-162	2	PACKING KIT	31	V1088215	1	TOP PIVOT
10	VS-508	4	HEX NUT 1/2	32	V1088213	1	BOTTOM PIVOT
11	VS-20147	4	WASHER 1/2	33	V1087426	6	FLANGED BEARING
12	V1084914	2	GUIDE TUBE	34	V1086890	2	SHOULDER BOLT
13	VS-18912	2	RETAINING RING	35	VS-7428	2	CAPSCREW
14	VS-24522	2	GEAR	36	VS-1882	2	LOCKWASHER
15	V1085956	1	SPACER	37	V1083893	1	EXTENSION SPRING
16	V1086909	4	HMCS 1/2-13 - 3000	38	V1088033	4	THRUST BEARING
17	V1085364	1	PILLOW BLOCK V.A.	39	V1088054	2	SHOULDER BOLT
18	V1085384	1	CHANNEL V.A.	40	VG273924	2	LOCKNUT
19	VS-18911	2	KEY 1/4	41	V1086898	1	SPACER BLOCK
20	VS-24187	1	SHAFT	42	VS-23515	1	SPACER
21	VS-512	4	LOCKWASHER	43	08151	1	GEAR ASSY. (SEE FIG.B)
22	V1085378	1	TRENCH BOX V.A.	44	VS-18867	2	RUBBER VIPER
				45	VKL-346	1	LIFT LOCK ASSEMBLY

Fig. 2 Tube and Plunger Assembly

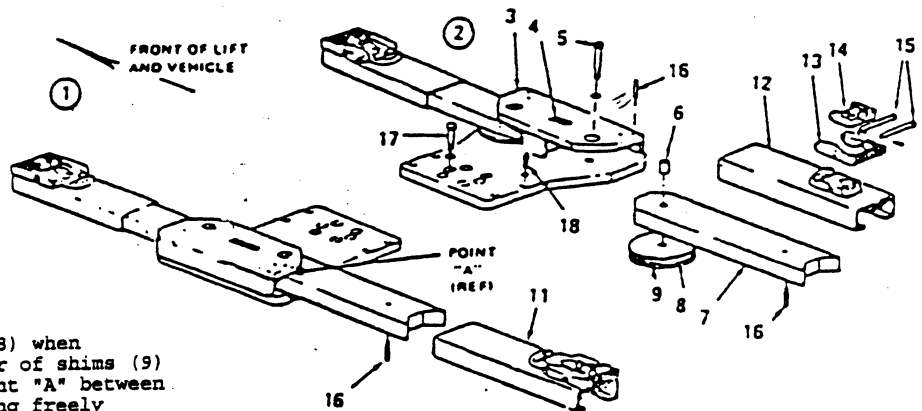
# 885 PAD SUPERSTRUCTURE



PAD  
SUPERSTRUCTURE

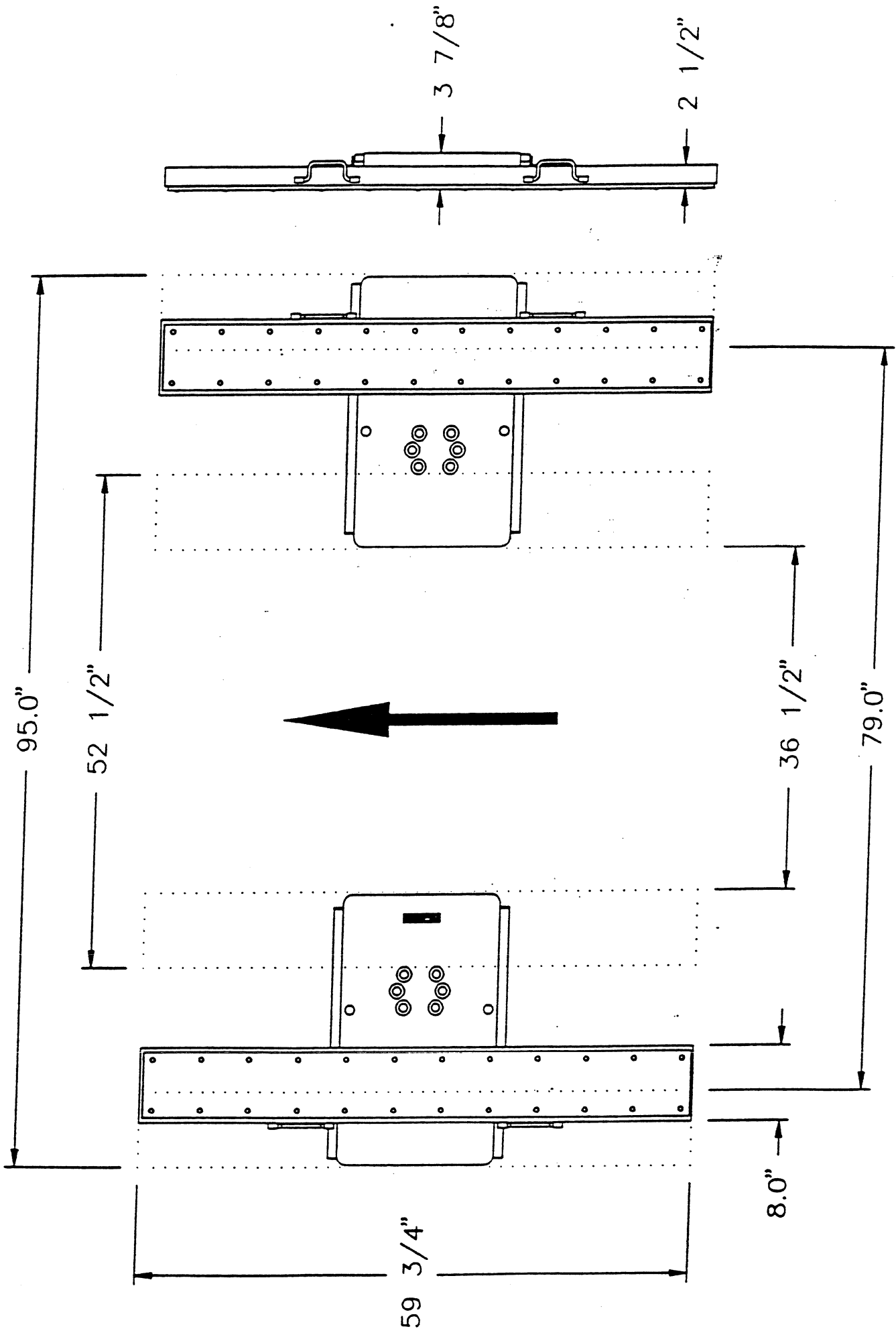
ITEM NO.	PART NO.	QTY.	DESCRIPTION
1.	1086386	2	SUPPORT PAD ASS'Y
2.	1086382	1	-CUSHION
3.	VS4515	12	-DRIVE RIVOT
4.	1086386	1	-SUPPORT TUBE ASS'Y
5.	1086379	2	BOLSTER
6.	VS25259	12	HEX HD. CAPSCREW 3/4-10 X 3
7.	VS2407	2	SOC. HD. CAPSCREW 1/2-13 X 2
8.	08159	1	NAME PLATE

# 881 SWING ARM SUPERSTRUCTURE



Grease bottom side of bearing washers (8) when replacing arm (7). Add sufficient number of shims (9) to obtain .010 to .020 clearance at point "A" between arm and top bolster plate. Arm must swing freely when capscrew (5) is torqued to 150 ft. lbs. minimum.

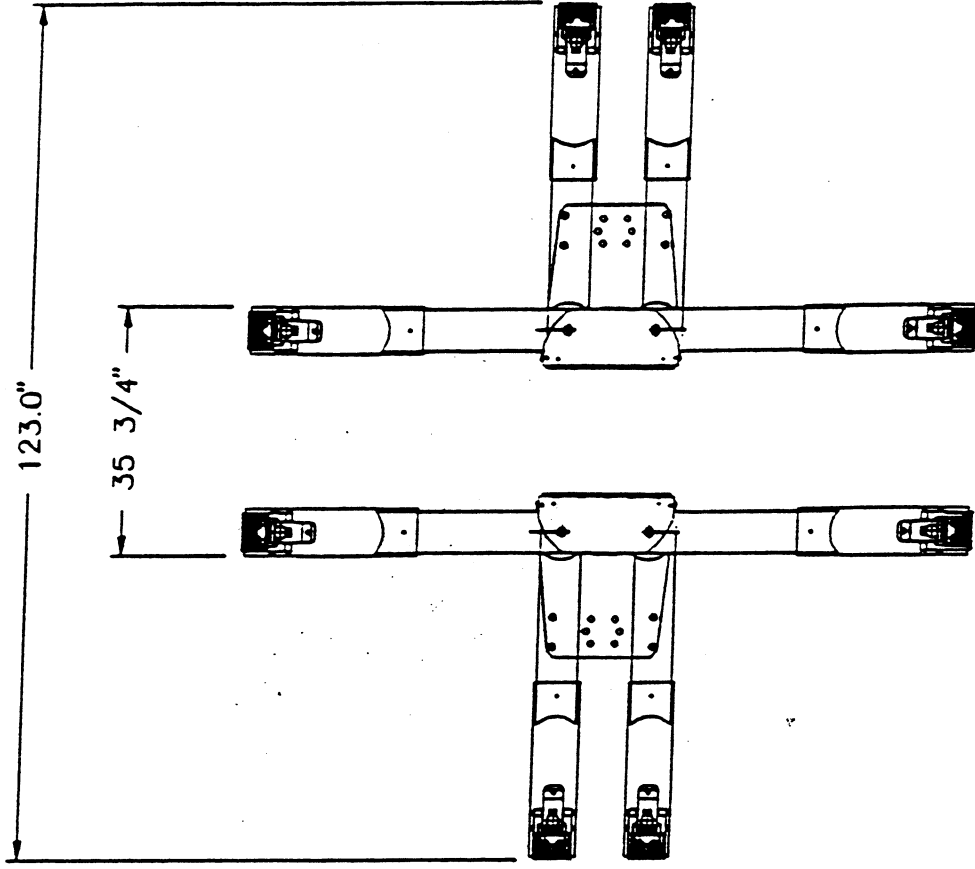
ITEM NO.	PART NO.	QTY.	DESCRIPTION	ITEM NO.	PART NO.	QTY.	DESCRIPTION
1.	VAS-24910	1	L.H. SUPERSTRUCTURE	11.	VAS-23377	4	--- ADAPTER & SLEEVE
2.	VAS-24906	1	R.H. SUPERSTRUCTURE	12.	VAS-23375	1	--- SLEEVE ASS'Y
3.	V1083056	2	--- BOLSTER	13.	VM-2139	1	--- ADAPTER HIGH PAD
4.	08159	1	--- NAME PLATE (on item 2 only)	14.	VM-2138	1	--- ADAPTER LOW PAD
	VS-4515	4	--- DRIVE SCREW NO. 2 X 3/16	15.	VS-19977	2	--- CLEVIS PIN
5.	VS-24295	2	--- CAPSCREW 7/8-9 X 3-3/4		VS-19326	2	--- ROLL PIN 1/8 X 5/8
	VS-24296	2	--- LOCKWASHER 7/8	16.	VS-22952	12	ROLL PIN 3/8 X 1-1/2
6.	VS-24155	2	--- TUBE	17.	VS-2882	12	CAPSCREW 3/4-10 X 2-3/4
7.	VS-24182	2	--- ARM		VS-3010	12	LOCKWASHER 3/4
8.	VS-24159	4	--- BEARING WASHER	18.	V1087666	2	5/8-11 X 2-1/4 SCHS
9.			--- BEARING SHIM		VS23405	2	LOCKWASHER 5/8



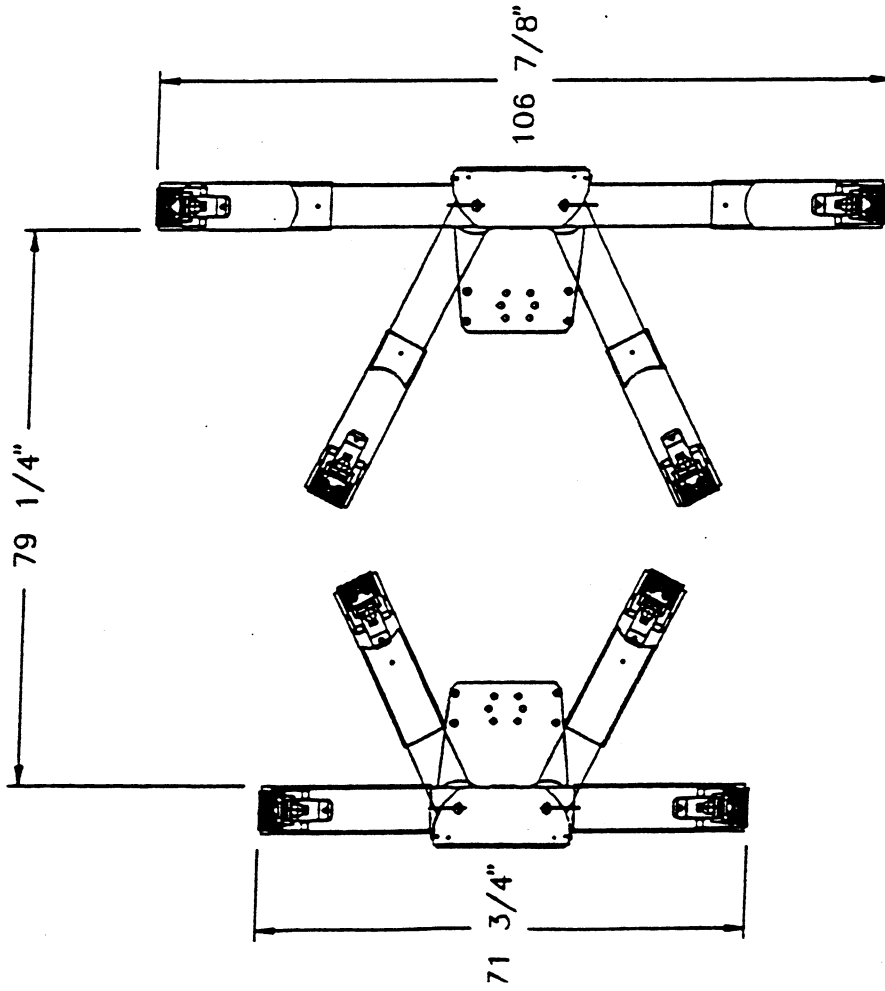
C881-C881LS-C885  
**C885 PAD SUPERSTRUCTURE**

# 881 SWING ARM SUPERSTRUCTURE

C881-C881LS-C885



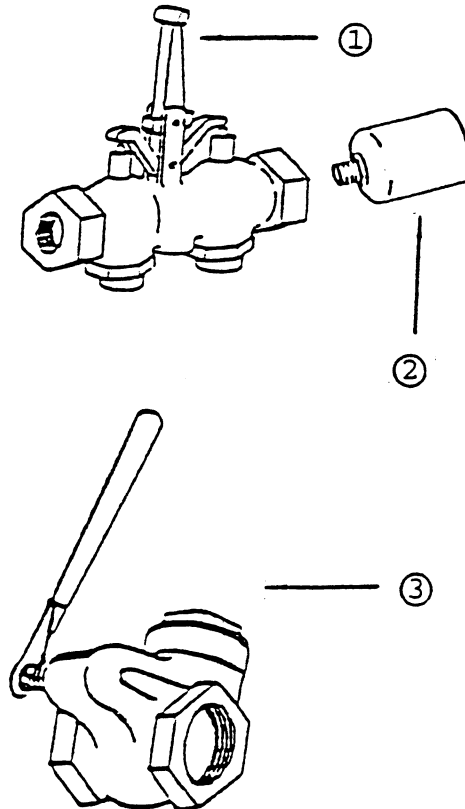
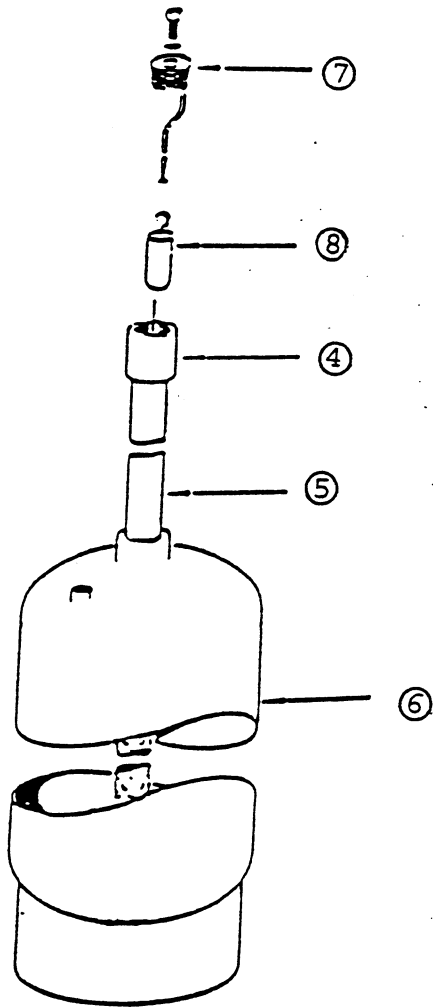
DRIVE OVER



DRIVE THRU

MINIMUM DRIVE OVER CLEARANCE FOR BOTH APPLICATIONS IS 4 1/2"

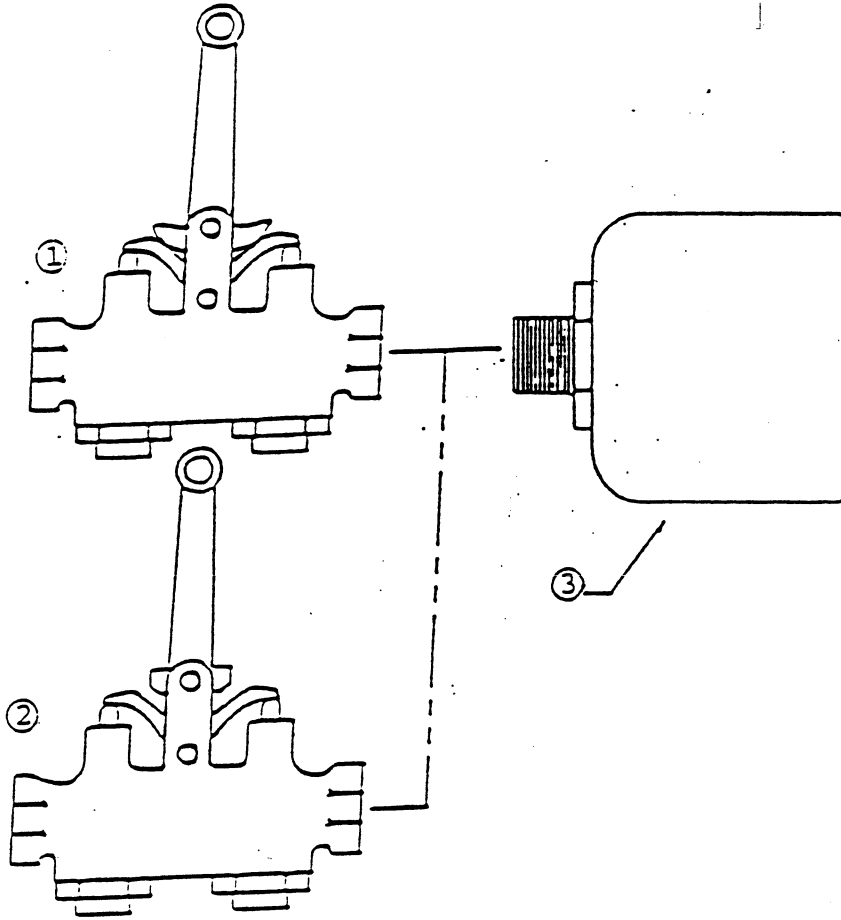
**WALL CONTROLS & OIL RESERVOIR  
881 - 881LS LIFTS**



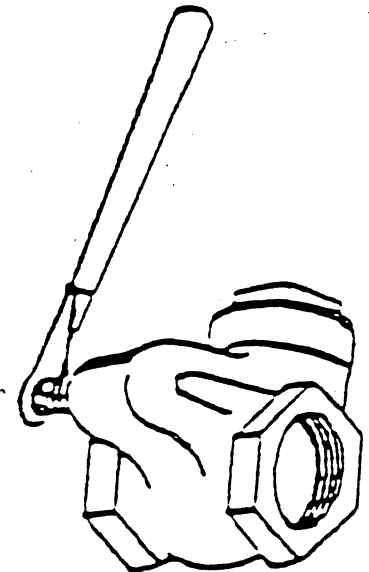
ITEM	PART NO.	QTY.	DESCRIPTION
1.	V1087392	1	AIR VALVE
2.	VS-20154	1	MUFFLER
3.	VAS-14765	1	OIL VALVE
4.	VS-25393	1	1-1/2" COUPLING
5.	VS-25104	1	1-1/2" PIPE
6.	VAS-28258	1	RESERVOIR
7.	VAS-25118	1	GAUGE ROD
8.	V1087679	1	FLOAT & HANGER

# WALL CONTROLS & OIL RESERVOIR

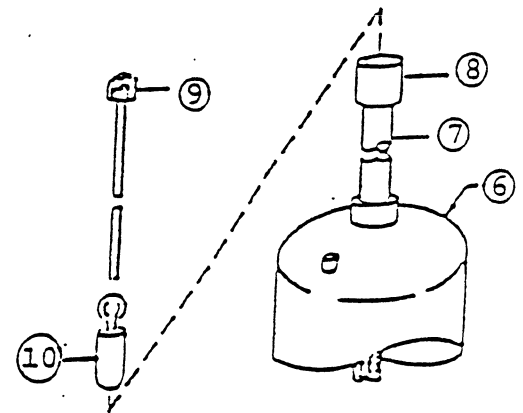
C383-C184



④



OIL VALVE



ITEM NO.	PART NO.	QTY.	DESCRIPTION
1.	V1087391	1	AIR VALVE ASS'Y - 383 SERIES
2.	V1087390	1	AIR VALVE ASS'Y - 184 SERIES
3.	VS-20154	1	MUFFLER
4.	VAS-14765	1	OIL VALVE ASS'Y. (SEE NOTE)
6.	VAS-28258	1	RESERVOIR
7.	VS-25104	1	1 1/2" PIPE
8.	VS-25393	1	1 1/2" COUPLING
9.	VAS-25118	1	GAUGE ROD
10.	V1087679	1	FLOAT ASSEMBLY

NOTE

OIL VALVE (4) IS SERVICED AS A COMPLETE UNIT ONLY.