

WEAVER®

JACK CORP.

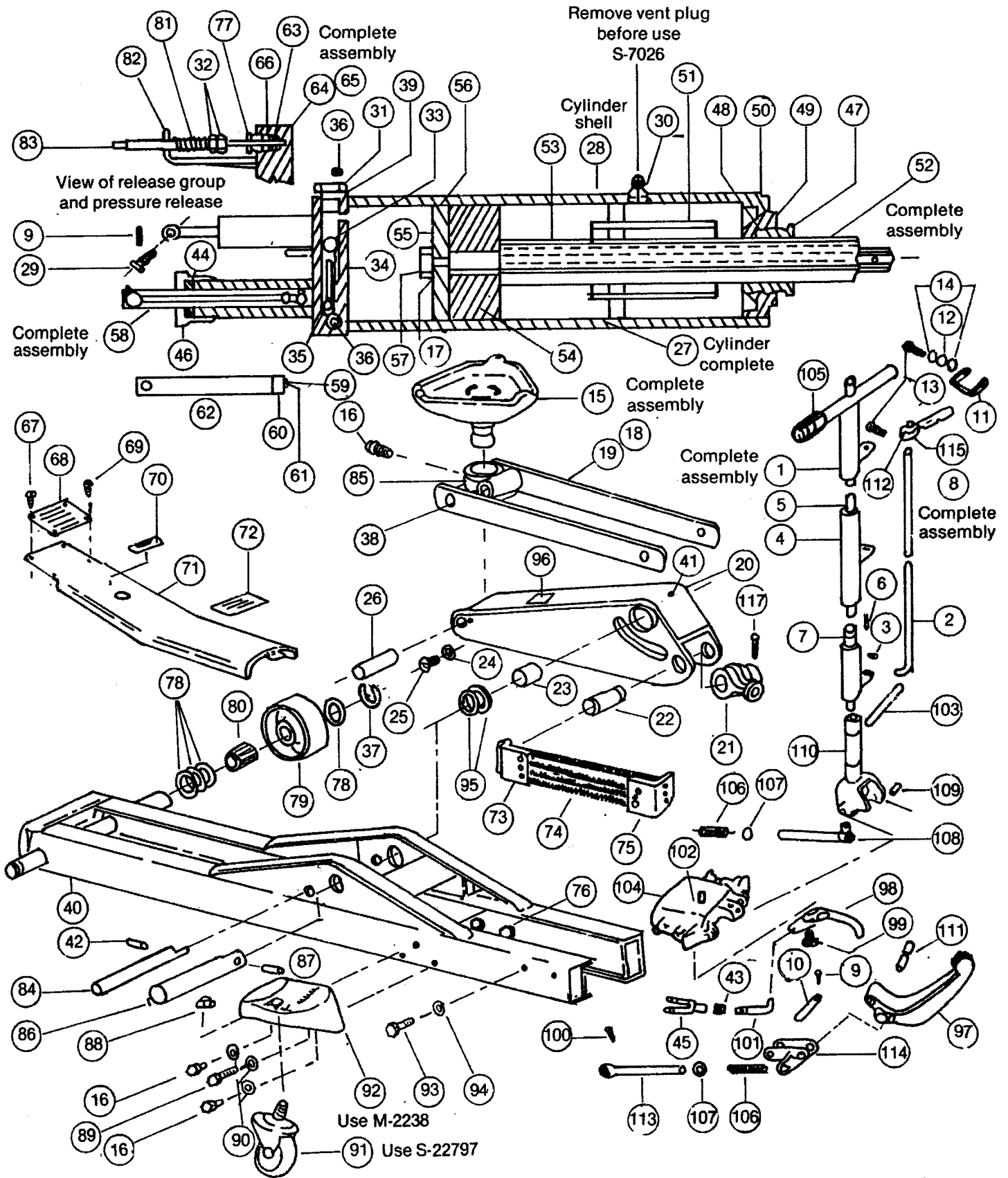
Model WA-72A & WA-72B

PARTS BREAKDOWN

SERVICE MANUAL

For Parts, Please Contact

Repair Parts List WA-72-B



Note (1): Made with two or three spring assembly; see WA-72A for two spring assembly.

Repair Parts List WA-72B

Item No.	Part No.	Qty.	Description	Item No.	Part No.	Qty.	Description
1.	AS-6565	1	Handle Assembly	60.	S-7265	1	Pump Cup
2.	S-6637	1	Release Rod	61.	S-7050	1	Washer 17/64 ID x 15/32 OD
3.	S-102	1	Sq. Hd. Set Screw 3/8/16 x 3/4"	62.	S-7443	1	Pump Plunger
4.	AS-5129	1	Handle	63.	AS-21052	1	Packing Assembly
5.	AS-6641	1	Lock Rod	64.	S-17829	1	O-Ring
6.	S-4074	1	Cotter Pin 1/16 x 3/4	65.	S-21051	1	Packing Housing
7.	S-1353	1	Handle Spring	66.	S-15047	1	O-Ring
8.	AS-22107	1	Release Handle Assembly	67.	S-12660	2	Rd. Hd. Self-Tapping Screw 10-32 x 3/8
9.	S-275	3	Cotter Pin 1/8 x 3/4	68.	S-23225	1	Nameplate
10.	S-7299	2	Pump Plunger Pin	69.	S-2579	2	Drive Screw 4 x 5/16
11.	S-7075	1	Release Lock	70.	S-24747	1	Gov't Label
12.	S-13520	1	Spring Washer	71.	S-23235	1	Cover
13.	S-23872	3	Sq. Hd. Set Screw 1/4-20 x 3/4	72.	S-21023	1	Caution Label
14.	S-437	2	Flat Washer 1/4	73.	S-22747A	1	Lg. Spring Clip
15.	M-2122	1	Saddle	74.	S-16061	6	Spring
16.	S-105	5	Hex Hd. Capscrew 3/8-16 x 1	75.	S-22746A	2	Sm. Spring Clip
17.	S-3277	1	Int Lockwasher 3/8	76.	S-595	6	Hx. Nut 3/8-16
18.	AS-27118	1	Parallel Link Assembly	77.	S-5176	1	Release Packing Nut
19.	S-23197	2	Parallel Link	78.	S-899	8	Washer 1-1/32 ID x 1-3/4 OD
20.	AS-24867	1	Arm	79.	M-2271	2	Front Wheel
21.	M-1444	1	Crosshead	80.	S-23194	2	Cage Roller
22.	S-23201	1	Crosshead Pin	81.	S-2591	1	Release Valve Spring
23.	S-6576	2	Bearing	82.	S-5173	1	Release Valve Guide
24.	S-10189	1	Int. Lockwasher 3/8	83.	S-21049A	1	Release Valve Plunger
25.	S-6655	1	Rd Hd Mach Scw 1/4-20 x 3/8	84.	S-23196	1	Parallel Link
26.	S-23199	1	Arm Bracket Pin	85.	M-2247	1	Saddle Bracket
27.	AS-16145A	1	Pump & Cyl. Assembly	86.	S-23195	1	Lifting Arm Pin
28.	AS-15206A	1	Pump & Cylinder	87.	S-22770	1	Roll Pin
29.	S-7026	1	Self-Tapping scw No. 4-40 x 1/4	88.	S-8542	1	Acorn Nut
30.	S-18071	1	Drilled Pipe Plug	89.	S-944	2	Hx Hd Cap Scw 3/8-16 x 1-1/4
31.	S-9309	1	Ball Chamber Plug	90.	S-1325	6	Lockwasher 3/8"
32.	S-1863	2	Jam Nut 3/8 x 16	91.	S-22797A	2	Caster
33.	S-2750	1	Ball 1/2"	92.	M-2238	2	Caster Bracket
34.	S-7229	1	Ball Weight	93.	S-700	4	Hx Hd Cap Scw 1/2-13 x 1-3/4"
35.	S-2505	1	Ball 5/16"	94.	S-1571	4	Lockwasher 1/2"
36.	S-1806	4	Pipe Plug 3/16	95.	S-26803	4	Flatwasher 2 OD x 1-9/32 ID x 1/16
37.	S-25462	2	Retainer Ring	96.	S-23739	1	Weaver Decal
38.	S-23198	1	Parallel Rivet Pin	97.	M-1450	1	Foot Lever
39.	S-2594	2	Ball Chamber Gasket	98.	M-1417	1	Release Lever
40.	AS-23202A	1	Frame	99.	S-6560	1	Release Lever Pin
41.	S-7452	4	Front Whld. Bearing Spacer(N/A)	100.	S-107	1	Cotter Pin 1/8 x 1
42.	S-12617	1	Roll Pin 3/16 x 1	101.	S-6658A	1	Release Pin Rod
43.	S-1087	1	Hex Nut 5/16-24	102.	S-15035	1	Roll Pin 3/16 x 1-1/4
44.	S-7492	3	Plunger Packing	103.	S-6629	1	Handle Pin
45.	S-5123	1	Release Clevis	104.	M-2246	1	Tie Casting
46.	M-1769	1	Plunger Packing Nut	105.	S-20886	2	Handle Grip
47.	S-15203	1	Piston Packing Nut	106.	S-6623	2	Handle Return Spring
48.	S-6654	3	Piston Packing Nut	107.	S-19909	2	Washer 13/32 ID x 13/16 OD
49.	M-2018	1	Cylinder Cap	108.	AS-27335	1	Handle Rod
50.	S-22961	2	Gasket	109.	S-6636	1	Handle Rivet
51.	S-26235	1	Piston Rod Stop	110.	M-1442	1	Handle Rivet
52.	AS-6633	1	Ram Head Assembly	111.	S-6627	1	Foot Lever Pin
53.	S-6633	1	Piston Rod	112.	S-23689	1	Roll Pin 1/4 x 1/2
54.	M-2165	1	Ram Head	113.	S-23192	1	Pump Link Rod
55.	S-6016	1	Ram Cup	114.	M-2245	1	Pump Link
56.	S-6009	1	Back-up Washer	115.	M-1157	1	Release Handle
57.	S-7573	1	Hex Nut 3/8-24	116.	S-2499	2	Cotter Pin 1/4 x 2-1/4
58.	AS-7443A	1	Pump Plunger Assembly	117.	S-3234	1	Cotter Pin 3/16 x 2
59.	S-7444	1	Pump Nut				

KJ-106 Seal Kit
For Weaver WA-72B 2 Ton Jack

Contains:

S-2505	Ball
S-2750	Ball
S-15047	O Ring
S-17829	O Ring
S-7265	Pump Cup
S-6016	Piston Cup
S-22961	Gasket
S-2594	Ball Chamber Gasket
S-7492A	Packing (3)
S-6654	Piston Packing (3)
S-2499	Cotter Pin (2)
S-3234	Cotter Pin

Note: Older style Jack requires additional parts

If the rear of the cylinder is a casting which is held down by TWO Cotter Keys - it is an old style

Order Qty 3 ea S-7492 Packing

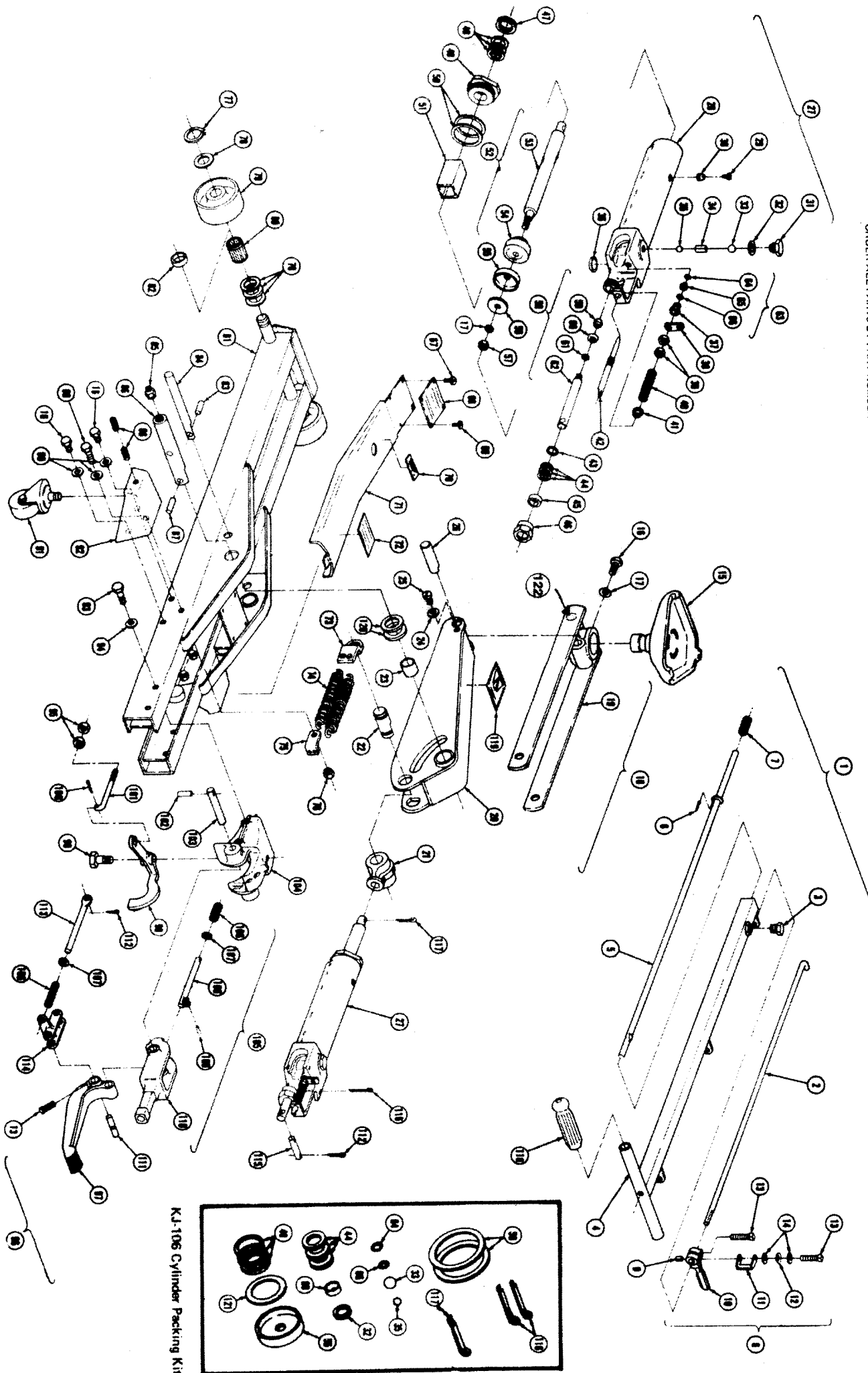
(New Style is a Machined Block which is held down by only ONE Cotter Pin)

Order part number: KJ-106

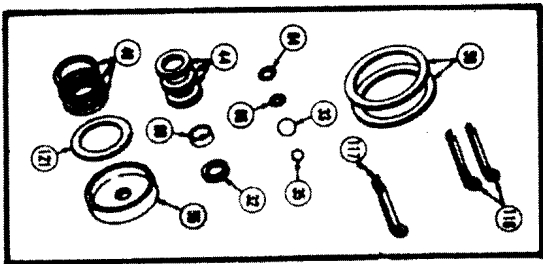
REPAIR PARTS LIST

WA-72A & WA-72AX SERVICE JACK

ORDER ALL PARTS BY PART NUMBER



KJ-106 Cylinder Packing Kit

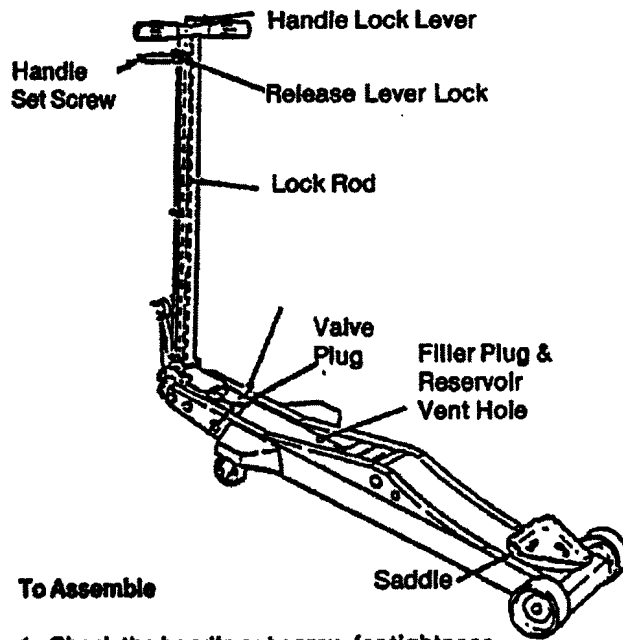


Repair Parts List WA-72A

<i>Item No.</i>	<i>Part No.</i>	<i>Description</i>	<i>Item No.</i>	<i>Part No.</i>	<i>Description</i>
1.	AS-6565	Handle Assembly	41.	S-5173	Release Valve Guide
2.	S-6637	Release Rod	42.	S-21049	Release Valve Plunger
3.	S-102	Sq. Hd. Set Screw 3/8-16 x 3/4" lg.	43.	S-7493	Pump Packing Washer
4.	AS-5129	Handle	44.	S-7492	Plunger Packing
5.	AS-6641	Lock Rod	45.	S-7494	Pump Packing Gland
6.	S-4074	Cotter Pin 1/16" x 3/4" lg	46.	M-1769	Plunger Packing Nut
7.	S-1353	Spring	47.	S-15203	Piston Packing Nut
8.	AS-22107	Release Handle Assembly	48.	S-6654	Piston Rod Packing
9.	S-23689	Roll Pin 1/4" x 1/2"	49.	M-2018	Cylinder Cap
10.	M-1157	Release Handle	50.	S-22961	Gasket
11.	S-7075	Release Lock	51.	S-26235	Piston Rod Stop
12.	S-13520	Spring Washer	52.	AS-6633	Ram Head Assembly
13.	S-23872	Square Head Set Screw 1/4" x 1/2"	53.	S-6633	Piston Rod
14.	S-437	Flat Washer 1/4"	54.	M-2165	Ram Head
15.	M-2122	Saddle	55.	S-6016	Leather Ram Cup
16.	S-105	Hex Head Cap Screw 3/8-16 x 1"	56.	S-6009	Back Up Washer
17.	S-3277	Int. Lockwasher 3/8"	57.	S-7573	Hex Nut 3/8-24
18.	AS-24619	Arm & Saddle Assembly (N/A)	58.	AS-7443	Pump Plunger Assembly
19.	AS-27118	Parallel Link	59.	S-7444	Leather Pump Nut
20.	AS-24867	Arm	60.	S-7265	Leather Pump Cup
21.	M-1444	Cross Head	61.	S-7050	Washer 17/64" ID x 15/32" OD
22.	S-23201	Cross Head Pin	62.	S-7443	Pump Plunger
23.	S-6575	Bearing	63.	AS-21052	Packing Assembly
24.	S-10189	Int. Lockwasher 1/4"	64.	S-17829	O-Ring
25.	S-6499 6655	Rd. Hd. Machine Screw 1/4-20 x 3/8"	65.	S-21051	Packing Housing
26.	S-23199	Arm Bracket Pin	66.	S-15047	O-Ring
27.	AS-16145	Pump & Cylinder Assembly	67.	S-12660	Rd. Hd. Self Tapping Screw No. 10-32 x 3/8"
28.	AS-15206	Pump & Cylinder	68.	S-23225	Name Plate
29.	S-7026	Self-Tapping Screw No. 4-40 x 1/4"	69.	S-2579	Drive Screw No. 4 x 5/16"
30.	S-18071	Drilled Pipe Plug	70.	S-24563	Caution Label: Vent Fill Plug (N/A)
31.	S-9309	Ball Chamber Plug	71.	S-23235	Cover
32.	S-2594	Gasket	72.	S-21023	Caution Decal: Lifting Safety Precautions
33.	S-2750	Ball 1/2	73.	S-22747	Large Spring Clip
34.	S-7229	Ball Weight	74.	S-16061	Spring
35.	S-2505	Ball 5/16	75.	S-22746	Small Spring Clip
36.	S-2497	Welch Plug	76.	S-595	Hex Nut 3/8-16
37.	S-5176	Release Packing Nut	77.	S-25462	Retainer Ring
38.	S-6659	Connecting Link	78.	S-899	Washer 1-1/32" ID x 1-3/4" OD
39.	S-1934	Hex Jam Nut 3/8-16	79.	M-2271	Front Wheel
40.	S-2591	Release Valve Spring		S-7450	Front Wheel Cushioned
			80.	S-23194	Cage Roller
				S-7451	Front Wheel Bearing (N/A)

81.	AS-23202	Frame
82.	S-7452	Front Wheel Bearing Spacer (N/A)
83.	S-12617	Roll Pin 3/16" x 1"
84.	S-23196	Parallel Link Pin
85.	S-5096	Grease Fitting
86.	S-23195	Lifting Arm Pin
87.	S-22770	Roll Pin 3/16" x 1-1/2"
88.	S-8543	Allen Hd. Set Screw 1/4-20
89.	S-944	Hex Hd. Cap Screw 3/8-16 x 1-1/4"
90.	S-1325	Lockwasher 2/8"
91.	S-22797	Caster
	S-23698	Caster Cushioned
92.	M-2238	Caster Bracket
93.	S-700	Hex Hd. Cap Screw 1/2-13 x 1-3/4"
94.	S-1571	Lockwasher 1/2"
95.	S-1087	Hex Nut 5/16-18
96.	AS-23193	Tie Casting Assembly (N/A)
97.	M-1450	Foot Lever
98.	M-1417	Release Lever
99.	S-6560	Release Lever Pin
100.	S-107	Cotter Pin 1/8" x 1"
101.	S-6658	Release Pull Rod
102.	S-15035	Roll Pin 3/16" x 1-1/4"
103.	S-6629	Handle
104.	M-2246	Tie Casting
105.	AS-21915	Handle Yoke Assembly (N/A)
106.	S-6623	Handle Return Spring
107.	S-19909	Washer 13/32" ID x 13/16" OD
108.	AS-27335	Handle Rod
109.	S-6636	Handle Rivet
110.	M-1442	Handle Yoke
111.	S-6627	Foot Lever Pin
112.	S-275	Cotter Pin 1/8" x 3/4"
113.	S-23192	Pump Link Rod
114.	M-2245	Pump Link
115.	S-7299	Pump Plunger Pin
116.	S-2499	Cotter Pin 1/4" x 2-1/4"
117.	S-3234	Cotter Pin 3/16" x 2"
118.	S-20886	Handle Grip
119.	S-23739	Weaver Decal
120.	S-26803	Flat Washer 1-9/32" ID x 2" OD
121.	S-5124	Clean Out Plug Gasket

Service Instructions



To Assemble

1. Check the handle set screw for tightness.
2. Remove and discard the vent filler plug. This is very important, as the vent hole must always be kept open so the jack can "breathe."

To Operate

1. The jack is easily maneuvered by depressing the Handle Lock Lever until the lock rod engages one of the two handle positions, and then pivoting the jack on its rear casters.
2. Place the jack in position so that the saddle will engage an approved lifting area of the vehicle. The saddle is raised to the contact point by the foot pedal. Light loads may be raised by the foot pedal alone. On low clearance vehicles it is often advantageous to operate the foot pedal by hand while watching to assure proper saddle contact. Surface on which jack rests should be fairly flat to prevent twisting of frame. Load should be centered in saddle.
3. Pump with handle for easy lifting. Do not attempt to raise jack beyond its travel stops.
4. To lower the load, pull back gently on the release lever.
5. Be certain that area beneath vehicle is clear before lowering vehicle. Always use the release lever lock to prevent unintentional operation of the release lever.

To Refill

Remove the filler plug and with the saddle DOWN put in MIL-F-17111 Oil until the level comes up to within 1/4" to 3/8" below filler hole. Overfilling causes oil to spurt out the vent hole as jack is lowered, or may prevent jack from lowering properly. Insufficient oil causes jack to lift only part way. Always be sure to put in oil only when the saddle is down. Be careful not to let any dirt get into the reservoir while the Filler Plug is out.

To Service

1. Keep all working parts thoroughly lubricated.
2. Packing nuts at the piston and pump plunger should be kept moderately tight. These packings are NOT under high pressure, and should only be tight enough to prevent leakage.
3. Ball valve may be removed for inspection and cleaning by removing the Ball Chamber Plug and turning the jack on its side, allowing the ball to roll out.

IMPORTANT: Whenever it is necessary to loosen or remove the Ball Chamber Plug, the gasket should be replaced with a new one. Oil leakage at this point is usually caused by trying to use an old gasket over again.

4. If pumping fails to raise the rated load, the lower ball valve is leaking, and it should be inspected for dirt or other obstruction. Also check for proper oil level.
5. If the load raises on the down stroke of the handle and immediately settles back, forcing the handle up, it shows the upper ball valve is leaking.

WARNING: Always use stands to support vehicle before attempting under vehicle repairs or inspections.

To Relieve When Air-Bound

1. Should the oil supply run too low, the jack may become air-bound and work on only a half stroke of the handle. Fill the jack with oil, raise the saddle, and then lower the saddle while holding the foot pedal depressed. This will flush out any air in the system, and excess oil may run out of the vent. Be sure jack is properly filled with oil before putting it back in service. Oil should cover piston rod.

To Remove Cylinder

1. Remove the cotter in the cross head.
2. Remove the cotter and pin in the pump.
3. Remove the cotter and pin in the release yoke.
4. Place cotter key in while depressing foot pedal. This allows for easy removal and reassembly if spring is left on return rod.
5. Raise the lifting arm by means of the saddle, and place a block of wood between the arm and frame to hold up the arm.
6. This releases the cylinder at the forward end, so that it may be removed as a complete unit, for service.

To Replace Cup

1. After removing the cylinder unit as described above, place it in a vise. Note that the vise jaws should grip the steel block, not the steel cylinder. Set the unit in the vise with the steel cylinder and piston up. Remove the vent plug.
2. Unscrew the cylinder cap and lift the piston out of the cylinder.
3. Remove the nut and washer which holds the cup at the end of the piston; put in the new cup, and replace nut and washer.
4. In fitting the new cup into the cylinder, USE GREAT CARE as the cup passes the filler plug hole not to cut or otherwise damage the cup. Then replace the cylinder cap.
5. To replace the small cup on the pump, turn the cylinder unit pump end upward in the vise.
6. Unscrew the packing nut and pull out the pump plunger. Remove the nut that holds cup to end of plunger, insert new cup, and replace nut.

Release Group Assembly Function

1. A means to manually release jack and safety overload circuit. If underloaded jack bleeds down, release valve may be out of alignment.
2. In release group assembly, spring governs load jack will lift. When pressure of cylinder overcomes spring tension the release valve floats off seat. It is imperative that the release valve floats freely in release group assembly. To check: use forefinger and thumb to grasp the release valve when the release clevis pin passes thru, and wiggle from side to side. There should be a minimum of .002 to .004 clearance. If no movement is noted, remove hex nut, release valve guide and release spring, and place release valve with release valve guide back in release nut. Tap end of release spring with Brass hammer. Slide release valve guide into position and noting where alignment is off, correct misalignment by tapping welded needle bracket accordingly with Brass hammer. Re-assemble and set pressure by hydraulic means. *Note:* This procedure should only be done by a qualified Authorized Service Depot.