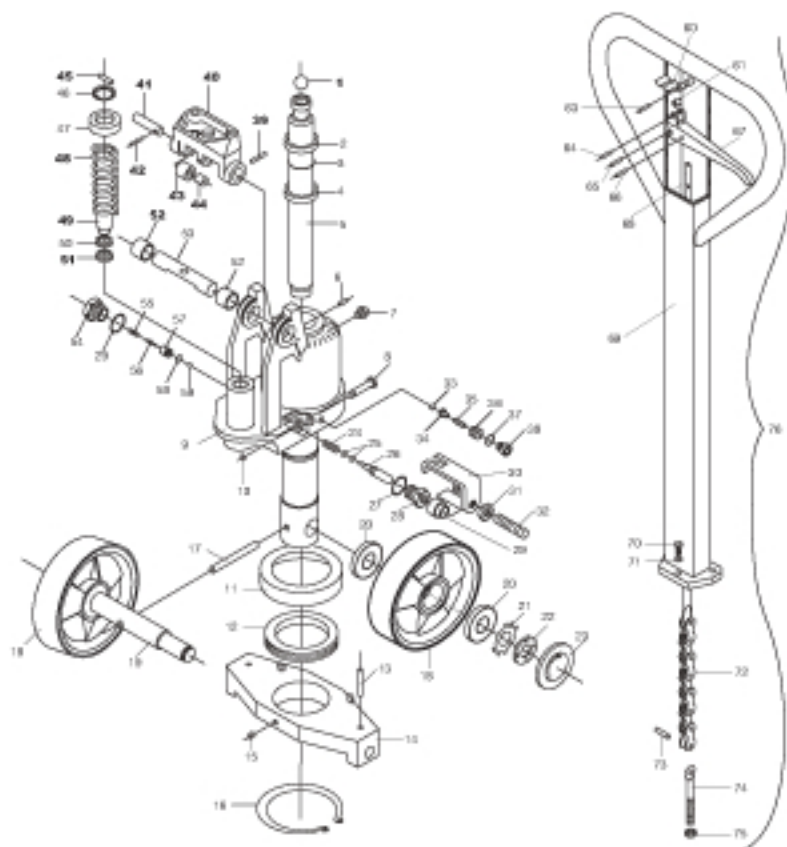


# PALLET JACK PARTS

## Valu-Jack 6600 Hydraulic Unit

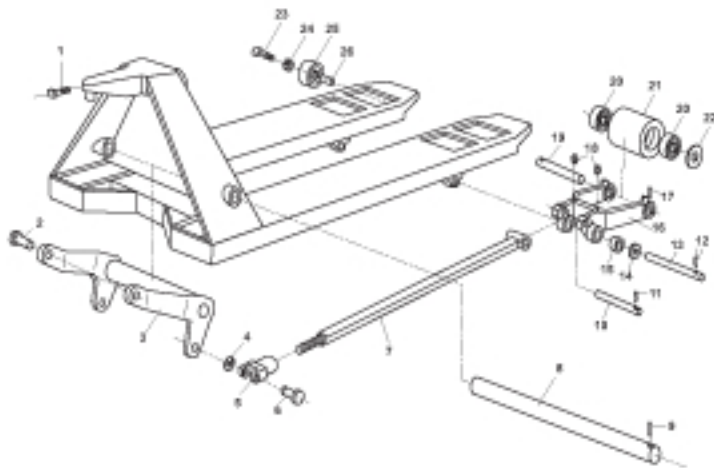


## Valu-Jack 6600 Hydraulic Unit

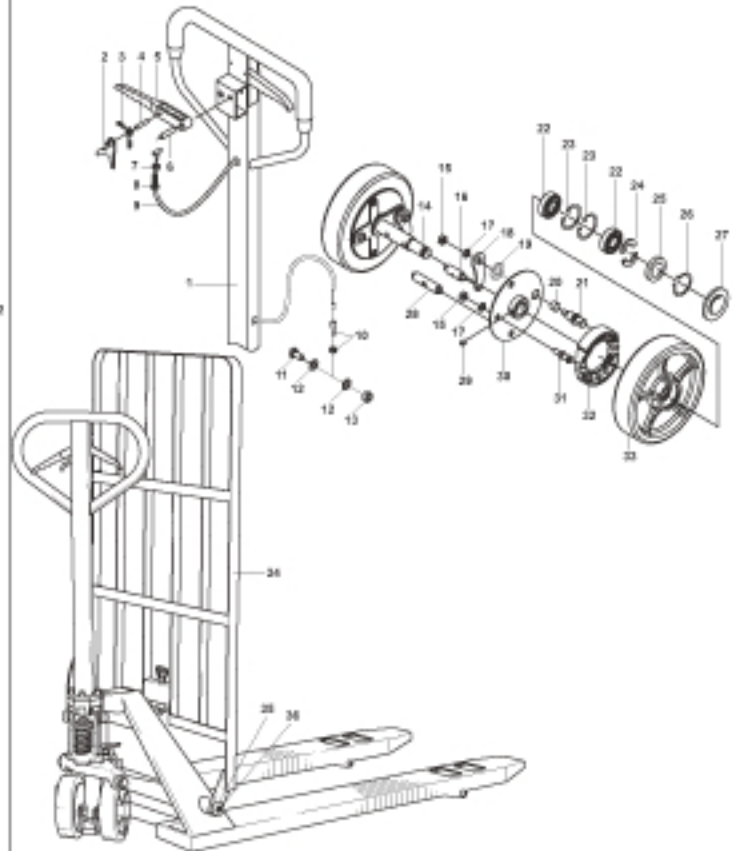
Item#	Part#	Description	Item#	Part#	Description
1	66146	Nut	30	6629	Plug
2A	66148	Scraper	30	6628	Roll Pin
3A	66143	O-Ring	40	6627	Handle Bracket
4A	66144	W-Cap	41	6626	Handle Pin
5	66147	Bar	42	6625	Roll Pin
6	66152	Roll Pin	43	66152	Pressure Relief
7A	66189	Oil Plug	44	6623	Washing
8	66185	Shell	45	669	Roll Pin
9	66156	Pump Body Not Available	45	666	Pin Retainer
10	66114	Retaining Ring	47	662	Spring Cap
11	66125	Bearing Cover	48	66188	Handle Return Spring
12	66122	Thrust Bearing	49	665	Pump Piston
13	66123	Roll Pin	50 A	668	Scraper
14	66118	Impress	51 A	662	U-Cap
15	66119	Grease Filling (Thread)	52	6621	Washing
16	66128	Snap Ring	53	6622	Shell
17	66115	Roll Pin	54	66186	Plug
18	66216-HD	Steer Wheel Assembly, Red Ultra Poly On Nylon Turn Hips W/ Bearings	55	66186	Spring
	66216-ST	Steer Wheel Assembly, Black Poly On Nylon Turn Hips W/ Bearings	56	66189	Valve Core
	66216-S	Steer Wheel Assembly, Steel W/ Bearings	57	66130	Valve
	GWW-U-LCK	Complete Wheel Kit, Incl. 2 load roller sets, 2 steer wheel sets, wheel rings, axles and bearings	58 A	66111	O-Ring
19	66117	Steer Wheel Axle	59	66132	Valve
20	66128	Bearing	60	66682	Blade Spring
21	66126	Tab Washer	61	66681	Roller
22	66125	Round Nut	63	66684	Roll Pin
23	66124	Hub Cap	64	66685	Roll Pin
24	66129	Spring	65	66686	Roll Pin
25A	66130	O-Ring	66	66687	Roll Pin
26	66130	Release Pin	67	66688	Control Lever
27 A	66107	O-Ring	68	66689	Pin Ret
28	66136	Release Pin Guide	69	66631	Handle Frame
29 A	66137	Rubber Cushion	70	66632	Roll
30	66132	Release Lever	71	66633	Lock Washer
31	66134	Lock Nut	72	66632	Chain
32	66133	Adjustment Screw	73	66633	Pin
33	6645	Steel Ball	74	66634	Connecting Screw
34	6646	Ball Base	75	66635	Nut
35	6645	Spring	76	66636	Handle Assembly, Includes Items 60-75
36	6646	Plug	KITS A	66150	Steel Kit
37	6619	O-Ring		66156A	Pump Assembly - New

# PALLET JACK PARTS

## Valu-Jack 6600 Frame



## Valu-Jack 6600 Backrest & Brake



### Valu-Jack 6600 Frame

Item#	Part#	Description	Item#	Part#	Description
1	66200	Set Screw	17	66204	Roll Pin
2	66201	Pin	18	66202	Grease Fitting (Threaded)
3	66203	Lifting Link	19	66217	Load Wheel Axle
4	66205	Snap Ring	20	66220	Bushing
5	66206	Connecting Link	21	66225-D	Load Roller Assembly, Red Ultra Poly Or Aluminum Hub W/ Bearings
6	66219	Pin	66225	Load Roller Assembly, Black Ultra Poly Or Steel Hub W/ Bearings	
7	66208	Push Rod	66225-N	Load Roller Assembly, Nylon W/ Bearings	
8	66213	Lifting Link Shaft	66225-S	Load Roller Assembly, Steel W/ Bearings	
9	66204	Roll Pin	6886-10-100	Load Wheel Kit, Incl. (2) Load Roller Assy W/ Bearings, Axles, and Fasteners	
10	66214	Push Rod Axle	22	66229	Washer
11	66213	Roll Pin	23	66241	Roller
12	66216	Roll Pin	24	66242	Nut
13	66212	Pin Axle	25	66289	Entry Roller
14	66240	Exit Roller	26	66240	Stem
15	66204	Bushing			
16	66215	Load Wheel Basket			

### Valu-Jack 6600 Backrest & Brake

Item#	Part#	Description	Item#	Part#	Description
1	6859	Brake Handle Form	20	66524	Bushing
2	6851	Locking Lever	21	66525	Shaft
3	6852	Spring	22	66526	Bushing
4	6853	Spring Pin	23	66528	Snap Ring
5	6854	Brake Lever	24	66531	Roll Ring
6	6855	Spring Pin	25	66532	Washer
7	6856	Nut	26	66533	Snap Ring
8	6857	Bolt	27	66534	Dust Cover
9	6858	Brake Cable (Includes Item 7-15)	28	66513	Shaft
10	68521	Tube	29	66515	Set Screw
11	68510	Bolt	30	66517	Brake Plate
12	68511	Washer	31	66518	Stud
13	68512	Nut	32	66519	Brake Shoe
14	68526	Shaft	33	66520	Wheel
15	68514	Nut	34	66528	Backrest
16	68527	Shaft	35	66524	Bushing
17	68516	Washer	36	66532	Bolt
18	68525	Lever Plate			
19	68535	Washer			