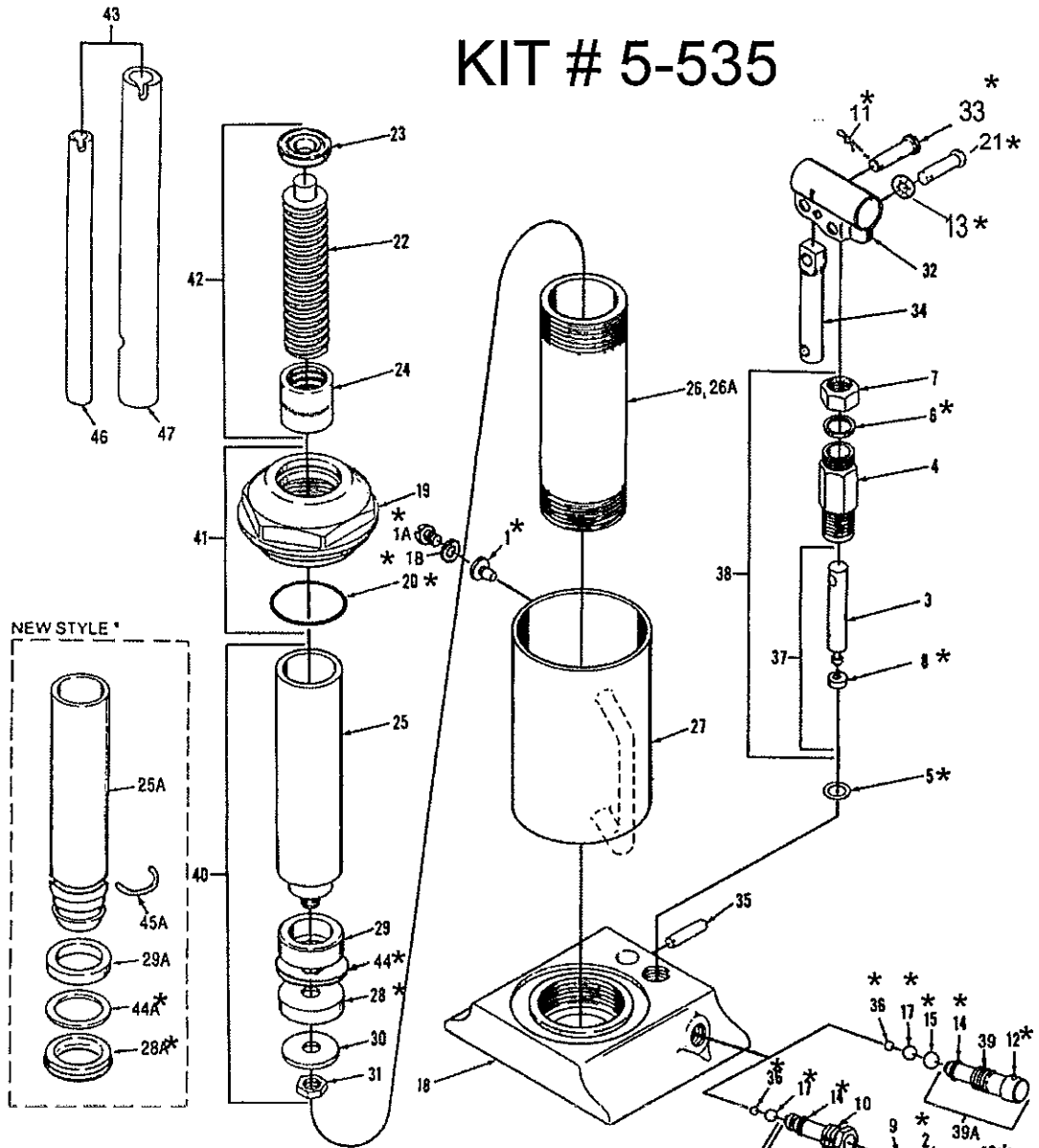


# KIT # 5-535

MODELS  
D-51012  
5-51012  
5-51003



ITEM #	NAME OF PART	PART #
1*	Filler Plug	2-54029
1A*	Filler Screw (Old Design Only)	D-2001
1B*	Filler Screw Washer (Old Design Only)	D-2015
2*	"O" Ring (1/4 x 3/8)	D-2099-5
5*	Piston Cylinder Washer	D-2027
6*	Pump Wiper	D-2099-10
8*	Piston Cup	10-11885
11*	Hinge Pin Clip	2-58541
12*	Release Screw Pin	2-58745
13*	Retaining Ring	10-11758
14*	"O" Ring (5/16 x 7/16)	D-2099-6
15*	Valve Ball (13/32 Dia. )	D-2075
17*	Valve Ball (5/16 Dia.)	D-2070
20*	"O" Ring	D-2099-25
21*	Handle Socket Link Pin	CH-1028
28*	Ram Cup (Old Design Only)	D-2634-A
28A*	Ram Cup	2-58350-3
44*	Ram Cup Back-up Washer(Old Design Only)	D-7437
44A*	Ram cup Back-up Ring	2-58611-3
33*	Handle Socket Link Pin (1)	10-12019
36*	Valve Ball (7/32 Dia - 2)	D-2074

\* DENOTES ITEMS IN KIT

## US JACK

1120 SOUTH CRYSTAL AVE  
BENTON HARBOR MI 49022  
PH 269-925-7777

Parts breakdown sheet containing all part numbers are available at [www.usjack.com](http://www.usjack.com) Part sheet 2-59880 or requests can be made by fax 269 925 6656; email [sales@usjack.com](mailto:sales@usjack.com)