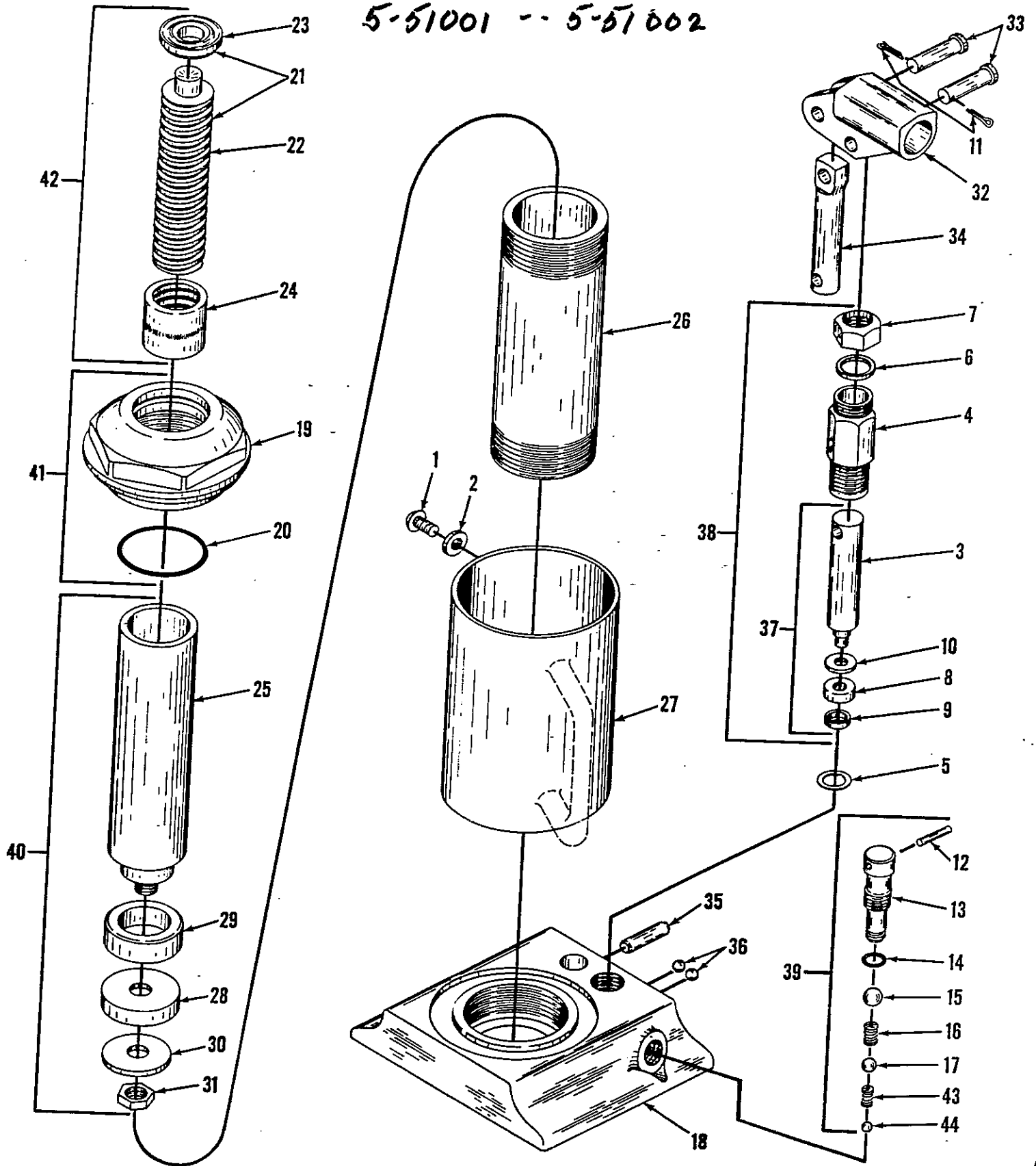


5-51001 -- 5-51002



ITEM NO.	NAME OF PART	5-51001	5-51002 5-51011	5-51003 5-51012	5-51004 5-51013	5-51005 5-51014	5-51006
1	Filler Screw	D-2001	D-2001	D-2001	D-2001	D-2001	D-2001
2	Filler Screw Washer	D-2015	D-2015	D-2015 ✓	D-2015	D-2015	D-2015
3	Pump Piston	10-11759	10-12225	10-12225	10-12225	10-12225	10-12225
4	Pump Cylinder	D-2444A	D-2044A	D-2044A	D-2044A	D-2044A	D-2044A
5	Piston Cylinder Washer	D-2027	D-2027	D-2027 ✓	D-2027	D-2027	D-2027
6	Pump Wiper	D-2458	D-2058	D-2058 ✓	D-2058	D-2058	D-2058
7	Piston Packing Nut	10-11905	10-11740	10-11740	10-11740	10-11740	10-11740
8	Piston Cup	10-11760	10-11885	10-11885 ✓	10-11885	10-11885	10-11885
9	Piston Cup Retainer	10-11761	10-11761	10-11761	10-11761	10-11761	10-11761
10	Piston Cup Washer		10-11893	10-11893	10-11893	10-11893	10-11893
11	Cotter Pin (2)	D-2016	D-2016	D-2016 ✓	D-2016	D-2016	D-2016
12	Release Screw Pin	D-2051	D-2051	D-2051	D-2051	D-2051	D-2051
13	Release Screw	2-50418	2-50418	2-50418	2-50418	2-50418	2-50418
14	"O" Ring 5/16 x 7/16	D-2099-6	D-2099-6	D-2099-6 ✓	D-2099-6	D-2099-6	D-2099-6
15	Valve Ball 13/32 Dia.	D-2075	D-2075	D-2075 ✓	D-2075	D-2075	D-2075
16	Pressure Ball Spring	2-50161	2-50161	2-50161	2-50161	2-50161	2-50161
17	Valve Ball 5/16 Dia.	D-2070	D-2070	D-2070 ✓	D-2070	D-2070	D-2070
18	Base	D-2201C	D-2401C	D-2601C ✓	D-2801C	D-3001C	D-3201A
19	Reservoir Head	10-11768	10-11769	10-11770	10-11887	10-11888	D-3202
20	"O" Ring	D-2099-7	D-2099-22	D-2099-25 ✓	D-2097-1	D-2097-3	D-2099-33
21	Extension Screw & Head	10-11906					
22	Extension Screw		D-2428	D-2628	D-2828	D-3028	
23	Ram Head		10-11742	10-11883	10-11889	10-11889	D-3204
24	Extension Screw Bushing	D-2233	D-2433	D-2633	D-2933	D-3033	
25	Ram (Standard)	D-2205-A	D-2405	D-2605	D-2805	D-3005	D-3205
-	Ram (Hi Range)		D-2505	D-2705	10-10305	D-3105	
26	Ram Cylinder (Standard)	D-2213	D-2413	D-2613	D-2813	D-3013	D-3213
	Ram Cylinder (Hi Range)		D-2513	D-2713	10-10306	D-3113	
27	Reservoir (Standard)	D-2223	10-11774	10-11775	10-11776	19-11823	19-11822
	Reservoir (Hi Range)		10-12082	10-12083	10-10307	19-12081	
28	Ram Cup	D-2234A	D-2434A	D-2634A ✓	D-2834A	D-3034A	D-3234
29	Ram Cup Backup Washer	D-2240	Not Shown				
30	Ram Spacer	D-2235B	D-2435A	D-2635A	D-2835A	D-3035A	D-3235A
31	Ram Cup Retainer	D-2236A	D-2436	D-2636	D-2836	D-3036	D-3236
32	Ram Cup Nut	D-2237	D-2237	D-2637	D-2637	D-2637	D-2637
33	Handle Socket	10-11756	10-11743	10-11743	10-11743	10-11743	10-11743
34	Hdle Socker Link Pin (2)	10-11901	D-2845	D-2845	D-2845	D-2845	D-2845
35	Link-Piston	10-11785	D-2547	D-2547	D-2547	D-2547	D-2547
36	Link Pin	D-2248A	D-2848A	D-2848A ✓	D-2848A	D-2848A	D-2848A
37	Valve Ball 7/32 Dia. (2)	D-2074	D-2074	D-2074 ✓	D-2074	D-2074	D-2074
	Label	10-12101	10-12102	10-12103	10-12104	10-12105	10-12106
	Repair Kit	5-530	5-532	5-535 ✓	5-538	5-541	5-543
	Label (Hi Range)		10-12112	10-12113	10-12114	10-12115	
38	Piston Assembly	19-11866	19-12341	19-12341	19-12341	19-12341	19-12341
39	Pump Assembly	19-11826	19-12343	19-12343	19-12343	19-12343	19-12343
40	Rel. Screw Assembly	4-50514	4-50514	4-50514	4-50514	4-50514	4-50514
	Ram Assembly (Standard)	SA-2205-A	SA-2405	SA-2605	SA-2805	SA-3005	SA-3205
	Ram Assembly (Hi Range)		SA-2505	SA-2705	19-10511	SA-3105	
41	Reservoir Head Assembly	19-11874	19-11882	19-11892	19-12047	19-12048	SA-3202
42	Extension Screw Assembly	19-12042	19-12043	19-12044	19-12045	19-12046	
43	Intake Ball Spring	2-50160	2-50160	2-50160	2-50160	2-50160	2-50160
44	Valve Ball 7/32 Dia.	D-2074	D-2074	D-2074 ✓	D-2074	D-2074	D-2074

WARRANTY

These Jacks are fully guaranteed against defective material and workmanship when submitted or shipped prepaid to the nearest franchised service depot or the factory, ninety days from the date of delivery to the user. This warranty does not cover jacks that have been altered or attachments added to them which are not recommended by the manufacturer. The use of hydraulic brake or shock absorber fluid, alcohol, Kerosene or other deleterious fluids voids this warranty as does improper use of jacks through overloading or any other abusive practice or accident.