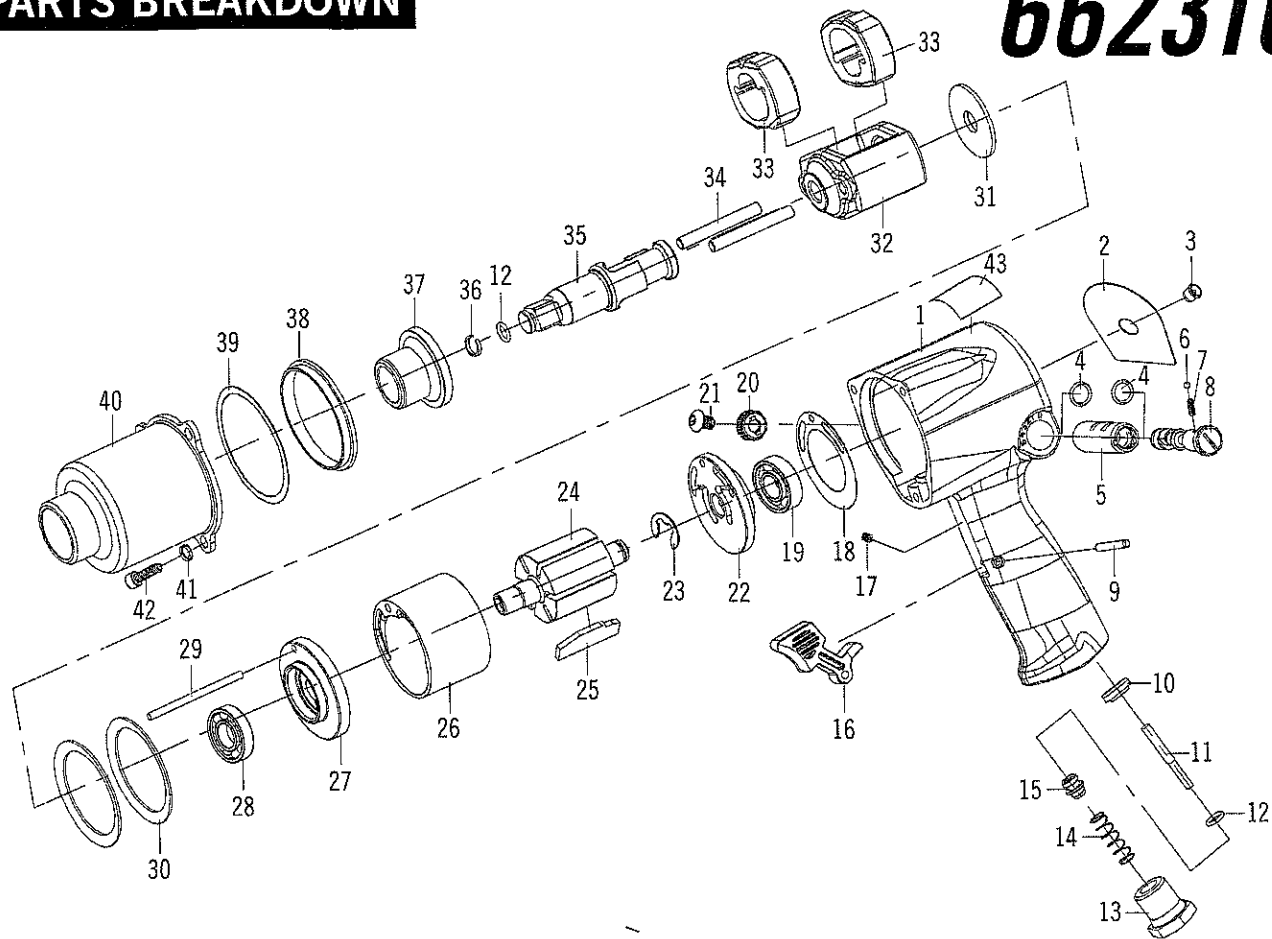


PARTS BREAKDOWN

66231C



REF. #	ITEM #	DESCRIPTION	QTY.
1	RS708A01UP	Housing Assembly (includes #1, 2, 3, 5, 43)	1
2	RS708A02UP	Name Plate	1
3	RS708A03	Grease Fitting	1
4	RS708A04	O-Ring	2
5	RS708A05	Reverse Valve Sleeve	1
6	RS708A06	Detent Ball	1
7	RS708A07	Detent Spring	1
8	RS708A08	Forward/Reverse Valve	1
9	RS708A09	Trigger Pin	1
10	RS708A10	Valve Seat	1
11	RS708A11	Valve Stem	1
12	RS708A12	O-Ring	2
13	RS708A13	Air Inlet	1
14	RS708A14	Valve Spring	1
15	RS708A15	Throttle Valve Assembly (includes #10, 11, 12, 14)	1
16	RS708A16	Trigger	1
17	RS708A17	Set Screw	1
18	RS708A18	Rear Gasket	1
19	RS708A19	Rear Bearing	1
20	RS708A20	Knob for Reverse Valve	1
21	RS708A21	Screw	1
22	RS708A22	Rear End Plate	1

REF. #	ITEM #	DESCRIPTION	QTY.
23	RS708A23	E-Clip	1
24	RS708A24	Rotor	1
25	RS708A25	Rotor Blade (Pack of 6 Blades)	1 pack
26	RS708A26	Cylinder	1
27	RS708A27	Front End Plate	1
28	RS708A28	Front Bearing	1
29	RS708A29	Cylinder Dowel Pin	1
30	RS708A30	Motor Clamp Washer	2
31	RS708A31	Washer	1
32	RS708A32	Hammer Cage	1
33	RS708A33	Hammer	2
34	RS708A34	Hammer Pin	2
35	RS708A35	Standard Anvil Assembly (includes #12, #36)	1
36	RS708A36	Socket Retaining Ring	1
37	RS708A37	Anvil Bushing	1
38	RS708A38	Protect Ring	1
39	RS708A39	Front Gasket	1
40	RS708A40	Hammer Case Assembly (includes #37)	1
41	RS708A41	Spring Washer	3
42	RS708A42	Cap Screw	3
43	RS708A43UP	Warning Label	1

PLEASE REVIEW ALL WARNING INSTRUCTIONS PRIOR TO OPERATION. SAVE THIS MANUAL FOR FUTURE REFERENCE.

66231C: 1/2" Impact Wrench

REF. #	ITEM #	DESCRIPTION	QTY.	PURCHASE PRICE
1	RS708A01UP	Housing Assembly (includes #1, 2, 3, 5, 43)	1	\$22.92
2	RS708A02UP	Name Plate	1	\$1.12
3	RS708A03	Grease Fitting	1	\$1.00
4	RS708A04	O-Ring	2	\$1.00
5	RS708A05	Reverse Valve Sleeve	1	\$3.57
6	RS708A06	Detent Ball	1	\$1.00
7	RS708A07	Detent Spring	1	\$1.00
8	RS708A08	Forward/Reverse Valve	1	\$2.24
9	RS708A09	Trigger Pin	1	\$1.00
10	RS708A10	Valve Seat	1	\$1.00
11	RS708A11	Valve Stem	1	\$1.00
12	RS708A12	O-Ring	2	\$1.00
13	RS708A13	Air Inlet	1	\$1.43
14	RS708A14	Valve Spring	1	\$1.00
15	RS708A15	Throttle Valve Assembly (includes #10, 11, 12, 14)	1	\$1.80
16	RS708A16	Trigger	1	\$1.00
17	RS708A17	Set Screw	1	\$1.00
18	RS708A18	Rear Gasket	1	\$1.00
19	RS708A19	Rear Bearing	1	\$1.31
20	RS708A20	Knob for Reverse Valve	1	\$1.00
21	RS708A21	Screw	1	\$1.00
22	RS708A22	Rear End Plate	1	\$3.20
23	RS708A23	E-Clip	1	\$1.00
24	RS708A24	Rotor	1	\$18.63
25	RS708A25	Rotor Blade (Pack of 6 Blades)	1 pack	\$1.86
26	RS708A26	Cylinder	1	\$7.14
27	RS708A27	Front End Plate	1	\$3.20
28	RS708A28	Front Bearing	1	\$1.40
29	RS708A29	Cylinder Dowel Pin	1	\$1.00
30	RS708A30	Motor Clamp Washer	2	\$1.00
31	RS708A31	Washer	1	\$1.00
32	RS708A32	Hammer Cage	1	\$17.30
33	RS708A33	Hammer	2	\$4.44
34	RS708A34	Hammer Pin	2	\$1.00
35	RS708A35	Standard Anvil Assembly (includes #12, #36)	1	\$24.32
36	RS708A36	Socket Retaining Ring	1	\$1.00
37	RS708A37	Anvil Bushing	1	\$1.86
38	RS708A38	Protect Ring	1	\$1.00
39	RS708A39	Front Gasket	1	\$1.00
40	RS708A40	Hammer Case Assembly (includes #37)	1	\$9.47
41	RS708A41	Spring Washer	3	\$1.00
42	RS708A42	Cap Screw	3	\$1.00
43	RS708A43UP	Warning Label	1	\$1.00