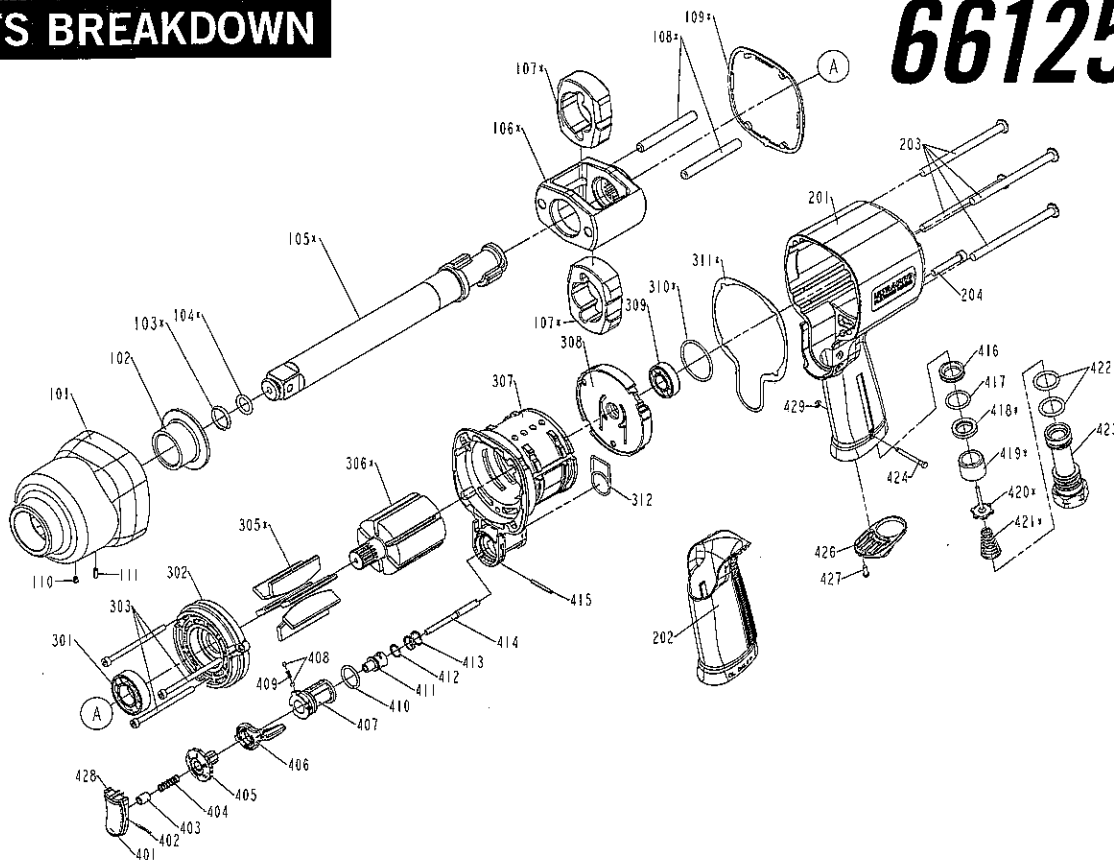


PARTS BREAKDOWN

66125-6



# REF.	# PART	DESCRIPTION	QTÉ..
101	RS3125101	HAMMER CASE	1
102	RS1074103	HAMMER CASE BUSHING	1
103	RS76806	SOCKET RETAINER	1
104	RS76807	O-RING	1
105	RS1075106	6" ANVIL (EXTENDED)	1
106	RS3125106	HAMMER FRAME	1
107	RS3125107	HAMMER	2
108	RS3125108	HAMMER PIN	2
109	RS3125109	HAMMER CASE PACKING	1
110	RS1837220	HAMMER CASE GREASE FITTING	1
111	RS4135112	SPRING PIN	1
201	RS1125201UP	HOUSING	1
202	RS1125202	HANDLE GRIP	1
203	RS3125203	HALF ROUND HD HEX BOLT	4
204	RS3125204	HEX SOC HD BOLT	1
301	RS1074301	BEARING	1
302	RS3125302	FRONT END PLATE	1
303	RS1074314	HEX SOC HD BOLT	3
305	RS3125305	BLADE	6
306	RS3125306	ROTOR	1
307	RS3125307	CYLINDER UNIT	1
308	RS3125308	REAR BEARING PLATE	1
309	RS227B25	BEARING	1
310	RS2215204	O-RING	1
311	RS3125311	GASKET	1
312	RS3125312	PACKING-CYLINDER	1
401	RS3125401	TRIGGER A	1

# REF.	# PART	DESCRIPTION	QTÉ.
402	RS2125402	SPRING PIN	1
403	RS3125403	TRIGGER BUSHING	1
404	RS3125404	SPRING	1
405	RS3125405	REGULATOR A UNIT	1
406	RS3125406	LEVER	1
407	RS3125407	REVERSE VALVE	1
408	RS1734416	STEEL BALL	2
409	RS76721	SPRING	1
410	RS3125410	O-RING	1
411	RS3125411	REGULATOR B	1
412	RS1734414	O-RING	1
413	RS3125413	SPRING	1
414	RS3125414	TRIGGER TIP	1
415	RS1044411	SPRING PIN	1
416	RS76830	INSERT BUSHING	1
417	RS76838	O-RING	1
418	RS76831	SEAL	1
419	RS76839	BUSHING	1
420	RS2234420	TIP VALVE	1
421	RS3125421	SPRING	1
422	RS1074410	O-RING	2
423	RS1074411	AIR INLET	1
424	RS4150420	LATCH PIN	1
426	RS1074408	DEFLECTOR	1
427	RS1735411	TAP BOLT	1
428	RS3125428	TRIGGER B	1
429	RS4150424	E- RING	1

Also available: RS1125TK, tune-up kit items includes #103, 104, 109, 305 (6), 310, 311, 312, 410, 412, 418, 422 (2).

PLEASE REVIEW ALL WARNING INSTRUCTIONS PRIOR TO OPERATION. SAVE THIS MANUAL FOR FUTURE REFERENCE.