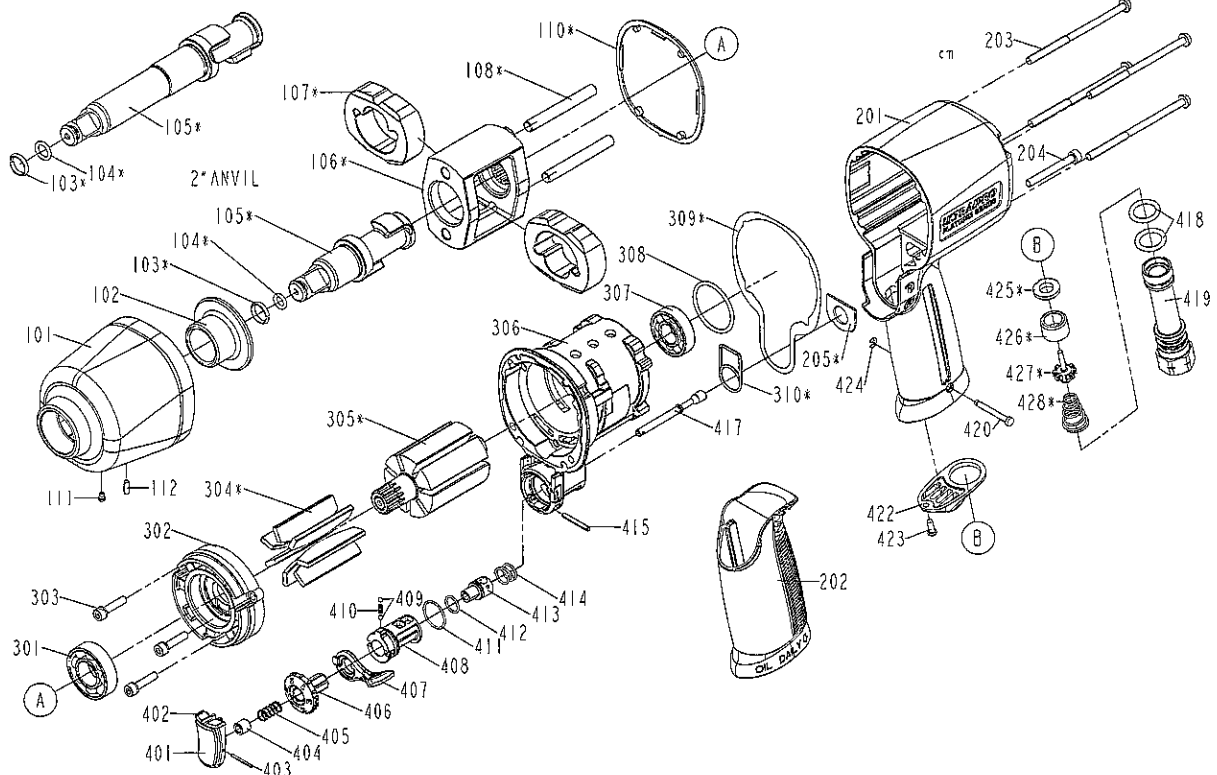


PARTS BREAKDOWN

66123



REF. #	PART NO.	DESCRIPTION	QTY.
101	RS4150101	HAMMER CASE	1
102	RS1761103	HAMMER CASE BUSHING	1
103	RS1761104	SOCKET RETAINER	1
104	RS4135104	O-RING	1
105	RS1761106	ANVIL (STANDARD)	1
106	RS1761109	HAMMER FRAME	1
107	RS1761108	HAMMER	2
108	RS1761107	HAMMER FRAME PIN	2
110	RS4135110	HAMMER CASE PACKING	1
111	RS1837220	HAMMER CASE GREASE FITTING	1
112	RS4135112	SPRING PIN	1
201	RS1123201UP	HOUSING	1
202	RS1122202	HANDLE GRIP	1
203	RS4135203	HALF ROUND HD HEX BOLT	4
204	RS2125204	HEX SOC HD BOLT	1
205	RS2138311	PACKING	1
301	RS221RA32	BEARING	1
302	RS4135302	FRONT BEARING PLATE	1
303	RS4135303	BOLT ASSEMBLY	3
304	RS4135304	BLADE	7
305	RS4135305	ROTOR	1
306	RS4135306	CYLINDER UNIT	1
307	RS227B25	BEARING	1
308	RS4135308	O-RING	1
309	RS4135309	GASKET-CYLINDER	1
310	RS2125310	PACKING-CYLINDER	1

REF. #	PART NO.	DESCRIPTION	QTY.
401	RS2125401	TRIGGER A	1
402	RS1123402	TRIGGER B	1
403	RS2125402	SPRING PIN	1
404	RS3125403	TRIGGER BUSHING	1
405	RS4150405	PUSHER SPRING	1
406	RS2125405	REGULATOR A	1
407	RS4135407	LEVER	1
408	RS2125407	REVERSE VALVE	1
409	RS1735313	BALL	2
410	RS2138409	POSITIONING SPRING	1
411	RS2125415	O-RING	1
412	RS1734414	O-RING	1
413	RS2125411	REGULATOR	1
414	RS2125412	SPRING	1
415	RS4135415	SPRING PIN	1
417	RS4150417	TRIGGER TIP	1
418	RS1735410	O-RING	2
419	RS2125418	AIR INLET	1
420	RS4150420	LATCH PIN	1
422	RS1735408	EXHAUST DEFLECTOR	1
423	RS1735411	TAP BOLT	1
424	RS4150424	E-RING	1
425	RS1122426	SEAL	1
426	RS1122427	BUSHING	1
427	RS1735405	TIP VALVE	1
428	RS4150428	SPRING	1

Also available: RS1122TK, tune-up kit items including #103, 104, 109, 305 (7), 308, 309, 310, 311, 410, 415, 417 (2), 426.
 RS1122TK, tune-up kit items including #103, 104, 109, 305 (7), 308, 309, 310, 311, 410, 415, 417 (2), 426.

PLEASE REVIEW ALL WARNING INSTRUCTIONS PRIOR TO OPERATION. SAVE THIS MANUAL FOR FUTURE REFERENCE.