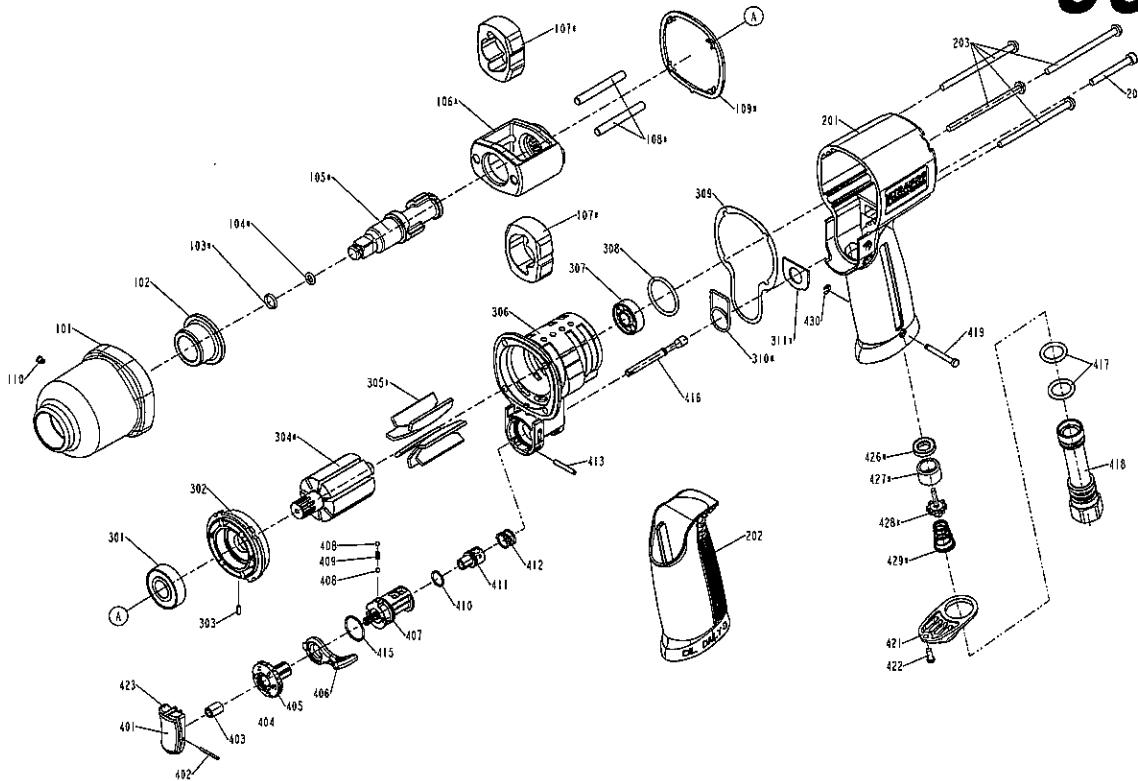


# PARTS BREAKDOWN

# 66122



REF. #	PART NO.	DESCRIPTION	QTY.
101	RS2125101	HAMMER CASE	1
102	RS1081103	HAMMER CASE BUSHING	1
103	RS1734201	SOCKET RETAINER	1
104	RS2150104	O-RING	1
105	RS1081106	STANDARD ANVIL	1
106	RS1081109	HAMMER FRAME	1
107	RS2150107	HAMMER	2
108	RS1081107	HAMMER FRAME PIN	2
109	RS2125109	PACKING	1
110	RS1837220	HAMMER CASE GREASE FITTING	1
201	RS1122201UP	HOUSING	1
202	RS1122202	HANDLE GRIP	1
203	RS1122203	HALF ROUND HD HEX BOLT	4
204	RS2125204	HEX SOC HD BOLT	1
301	RS227B25	BEARING	1
302	RS2125302	FRONT BEARING PLATE	1
303	RS2125303	SPRING PIN	1
304	RS2125304	ROTOR	1
305	RS1081305	BLADE	7
306	RS2125306	CYLINDER UNIT	1
307	RS30524	BEARING	1
308	RS2125308	O-RING	1
309	RS2125309	GASKET-CYLINDER	1
310	RS2125310	PACKING-CYLINDER	1
311	RS2138311	PACKING	1
401	RS2125401	TRIGGER A	1

REF. #	PART NO.	DESCRIPTION	QTY.
402	RS2125402	SPRING PIN	1
403	RS3125403	TRIGGER BUSHING	1
404	RS4150405	PUSHER SPRING	1
405	RS2125405	REGULATOR A	1
406	RS4135407	LEVER	1
407	RS2125407	REVERSE VALVE	1
408	RS1735313	BALL	2
409	RS2138409	POSITIONING SPRING	1
410	RS1734414	O-RING	1
411	RS2125411	REGULATOR	1
412	RS2125412	SPRING	1
413	RS1837309	SPRING PIN	1
415	RS2125415	O-RING	1
416	RS4150417	TRIGGER TIP	1
417	RS1735410	O-RING	2
418	RS2125418	AIR INLET	1
419	RS4150420	LATCH PIN	1
421	RS1735408	EXHAUST DEFLECTOR	1
422	RS1735411	TAP BOLT	1
423	RS2125423	TRIGGER B	1
426	RS1122426	SEAL	1
427	RS1122427	BUSHING	1
428	RS1735405	TIP VALVE	1
429	RS4150428	SPRING	1
430	RS4150424	E-CLIP	1

**Also available:** RS1122TK, tune-up kit items including #103, 104, 109, 305 (7), 308, 309, 310, 311, 410, 415, 417 (2), 426.  
 RS1122TK, tune-up kit items including #103, 104, 109, 305 (7), 308, 309, 310, 311, 410, 415, 417 (2), 426.

PLEASE REVIEW ALL WARNING INSTRUCTIONS PRIOR TO OPERATION. SAVE THIS MANUAL FOR FUTURE REFERENCE.

## 66122: 3/8" Air Impact Wrench

REF. #	ITEM #	DESCRIPTION	QTY.	PURCHASE PRICE
101	RS2125101	Hammer Case	1	\$20.33
102	RS1081103	Hammer Case Bushing	1	\$2.36
103	RS1734201	Socket Retainer	1	\$1.00
104	RS2150104	O-Ring	1	\$1.00
105	RS1081106	Standard Anvil	1	\$29.09
106	RS1081109	Hammer Frame	1	\$25.57
107	RS2150107	Hammer	2	\$12.04
108	RS1081107	Hammer Frame Pin	2	\$1.09
109	RS2125109	Packing	1	\$1.52
110	RS1837220	Hammer Case Grease Fitting	1	\$1.00
201	RS1122201UP	Housing	1	\$7.59
202	RS1122202	Handle Grip	1	\$2.58
203	RS1122203	Half Round HD Hex Bolt	4	\$1.09
204	RS2125204	Hex Soc HD Bolt	1	\$1.00
301	RS227B25	Bearing	1	\$5.47
302	RS2125302	Front Bearing Plate	1	\$6.16
303	RS2125303	Spring Pin	1	\$1.00
304	RS2125304	Rotor	1	\$16.36
305	RS1081305	Blade	7	\$1.06
306	RS2125306	Cylinder Unit	1	\$38.54
307	RS30524	Bearing	1	\$1.94
308	RS2125308	O-Ring	1	\$1.00
309	RS2125309	Gasket-Cylinder	1	\$2.02
310	RS2125310	Packing-Cylinder	1	\$1.00
311	RS2138311	Packing	1	\$1.00
401	RS2125401	Trigger A	1	\$1.00
402	RS2125402	Spring Pin	1	\$1.00
403	RS3125403	Trigger Bushing	1	\$1.00
404	RS4150405	Pusher Spring	1	\$1.00
405	RS2125405	Regulator A	1	\$1.35
406	RS4135407	Lever	1	\$4.47
407	RS2125407	Reverse Valve	1	\$8.43
408	RS1735313	Ball	2	\$1.00
409	RS2138409	Positioning Spring	1	\$1.00
410	RS1734414	O-Ring	1	\$1.00
411	RS2125411	Regulator	1	\$1.86
412	RS2125412	Spring	1	\$1.00
413	RS1837309	Spring Pin	1	\$1.00
415	RS2125415	O-Ring	1	\$1.00
416	RS4150417	Trigger Tip	1	\$1.43
417	RS1735410	O-Ring	2	\$1.00
418	RS2125418	Air Inlet	1	\$2.78
419	RS4150420	Latch Pin	1	\$1.00
421	RS1735408	Exhaust Deflector	1	\$1.09
422	RS1735411	Tap Bolt	1	\$1.00
423	RS2125423	Trigger B	1	\$1.00
426	RS1122426	Seal	1	\$1.35
427	RS1122427	Bushing	1	\$1.09
428	RS1735405	Tip Valve	1	\$1.29
429	RS4150428	Spring	1	\$1.00
430	RS4150424	E-Clip	1	\$1.00
	RS1122TK	Tune-up kit items including #103, 104, 109, 305 (7), 308, 309, 310, 311, 410, 415, 417 (2), 426		\$10.22