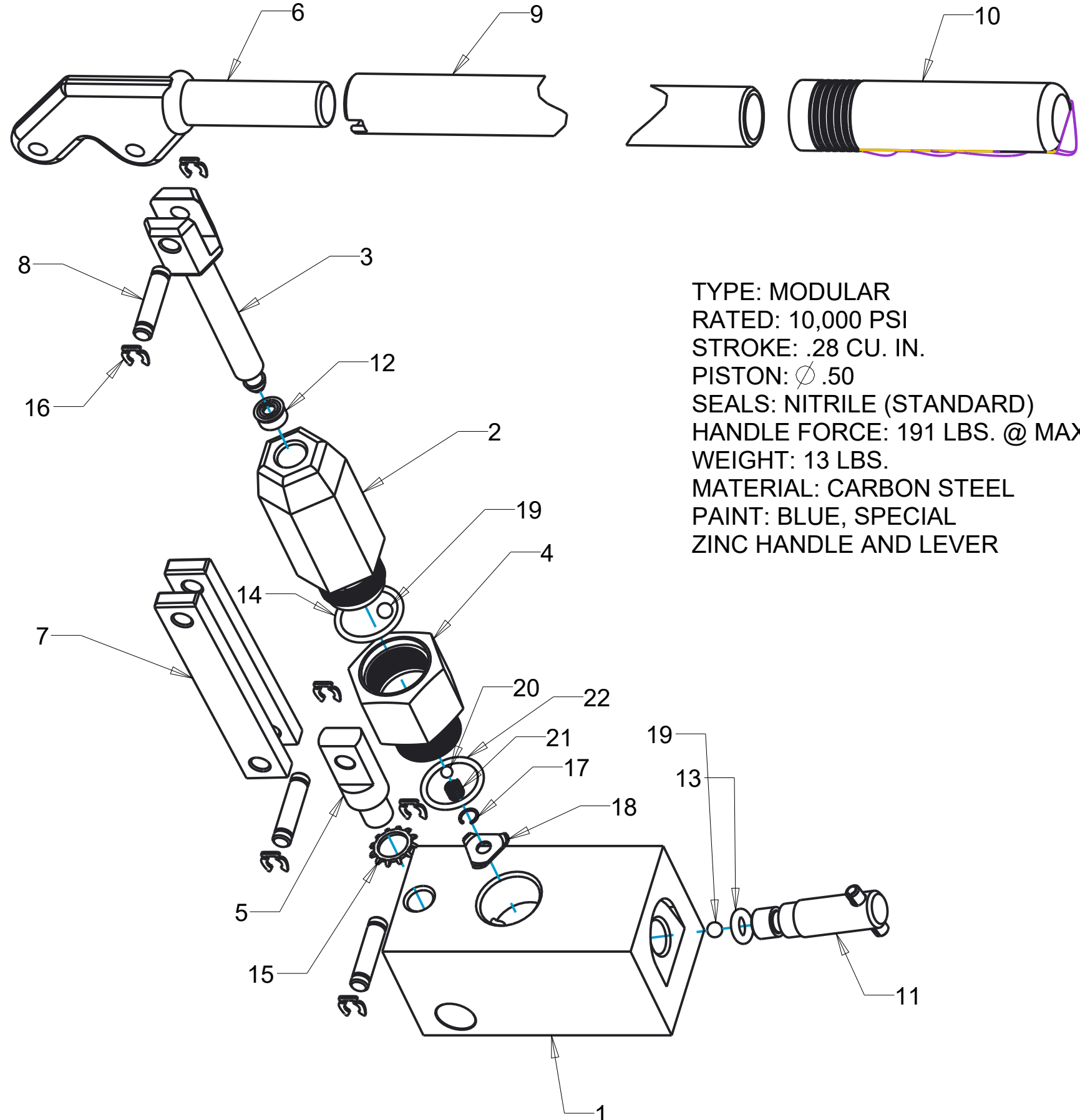
 <small>1350 Green Hills Road #10, Scotts Valley, CA 95066 (831) 430-9920 (831) 430-9989 Fax</small>			
DRAWN BY KDR	CHKD BY	DATE: Apr-10-17	APPRV BY
SCALE: 0.400	TITLE 100-4 RSI INSTALLATION DWG.		
TOLERANCES XX± .01 XXX± .005 ∠ ± .5	SIZE B	P/N 101006	REV: 0



TYPE: MODULAR
 RATED: 10,000 PSI
 STROKE: .28 CU. IN.
 PISTON: \varnothing .50
 SEALS: NITRILE (STANDARD)
 HANDLE FORCE: 191 LBS. @ MAX
 WEIGHT: 13 LBS.
 MATERIAL: CARBON STEEL
 PAINT: BLUE, SPECIAL
 ZINC HANDLE AND LEVER

*INCLUDED IN SEAL KIT #500004

ITEM	PART NO	DESCRIPTION	QTY
1	140001	PUMP BLOCK, 100-X	1
2	110004	BARREL, -4	1
3	120004	PISTON, -4	1
4	130002	VALVE BLOCK, -X	1
5	160068	LUG 1/2-20	1
6	160038	LEVER, ZINC PLT	1
7	160003	LINK, SHORT	2
8	160005	PIN	3
9	160053	HANDLE, 19" ZINC PLT	1
10	160007	GRIP	1
11	170003	RELEASE SCREW	1
*12	550001	POLYPAK PISTON SEAL -4	1
*13	512203	O-RING, RS	1
*14	512119	O-RING, BARREL	1
15	640009	LOCKWASHER 1/2"	1
*16	650001	RETAINING RING EXT.	6
*17	650002	RETAINING RING VB	1
*18	190000	COPPER CRUSH WASHER	1
*19	910002	CHECK BALL .250	2
*20	910001	CHECK BALL .187	1
*21	960001	SPRING, -X VB	1
*22	522120	O-RING, VB	1



DRAWN BY KDR	CHKD BY	DATE: Apr-10-17	APPRV BY
SCALE: 0.500	TITLE 100-4 RSI PARTS BREAKDOWN		
TOLERANCES XX± .01 XXX± .005 ∠ ± .5		SIZE B	REV: 0
P/N	101006		