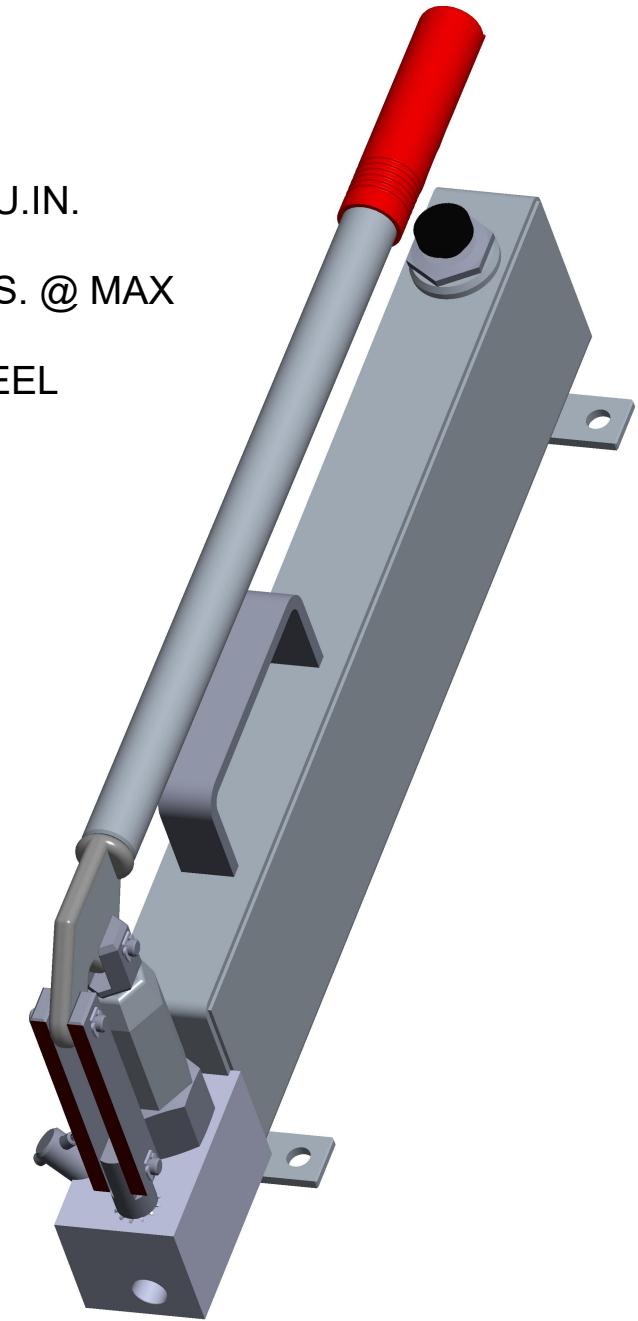
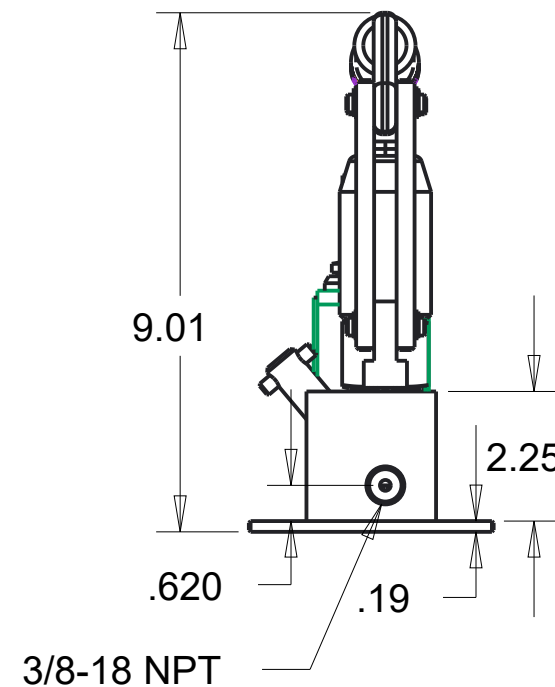
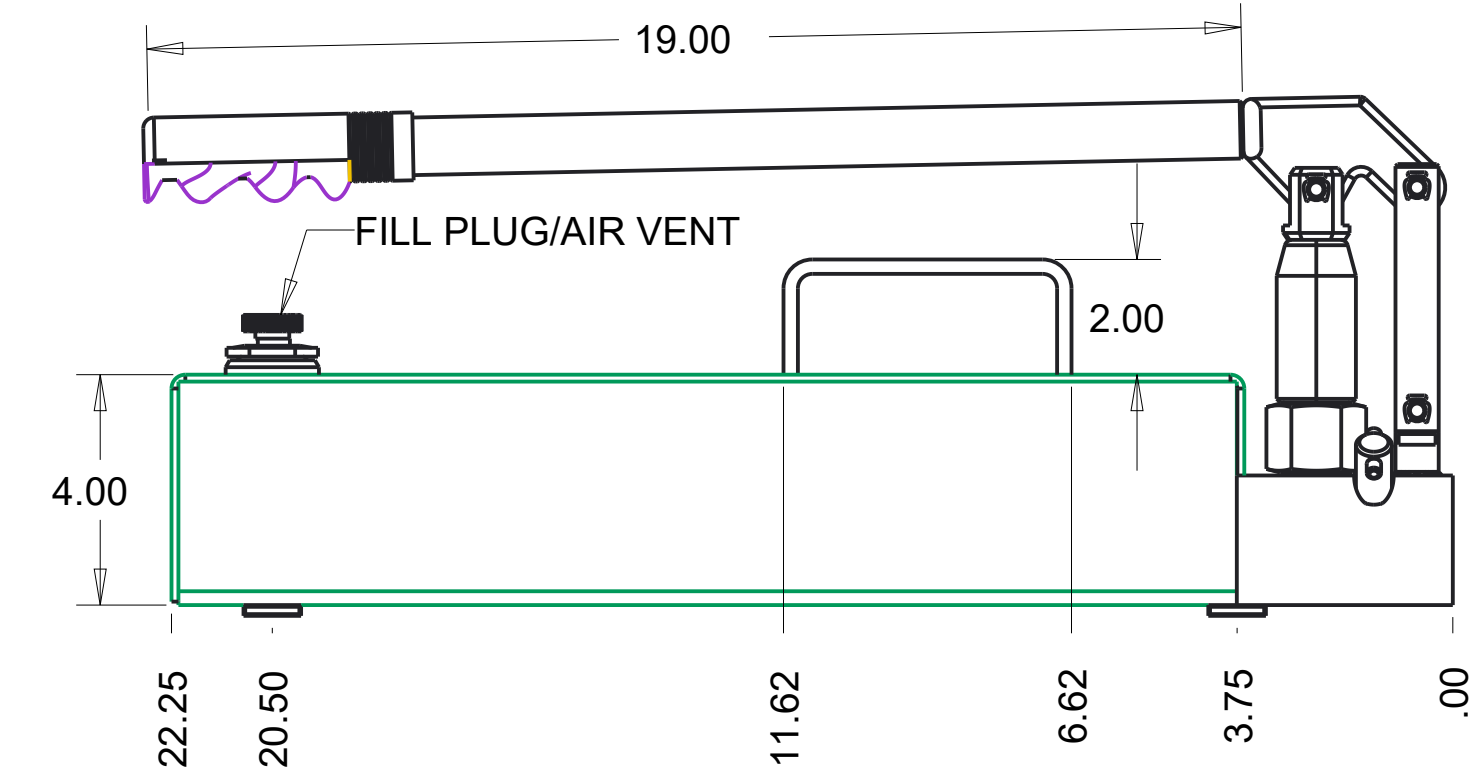
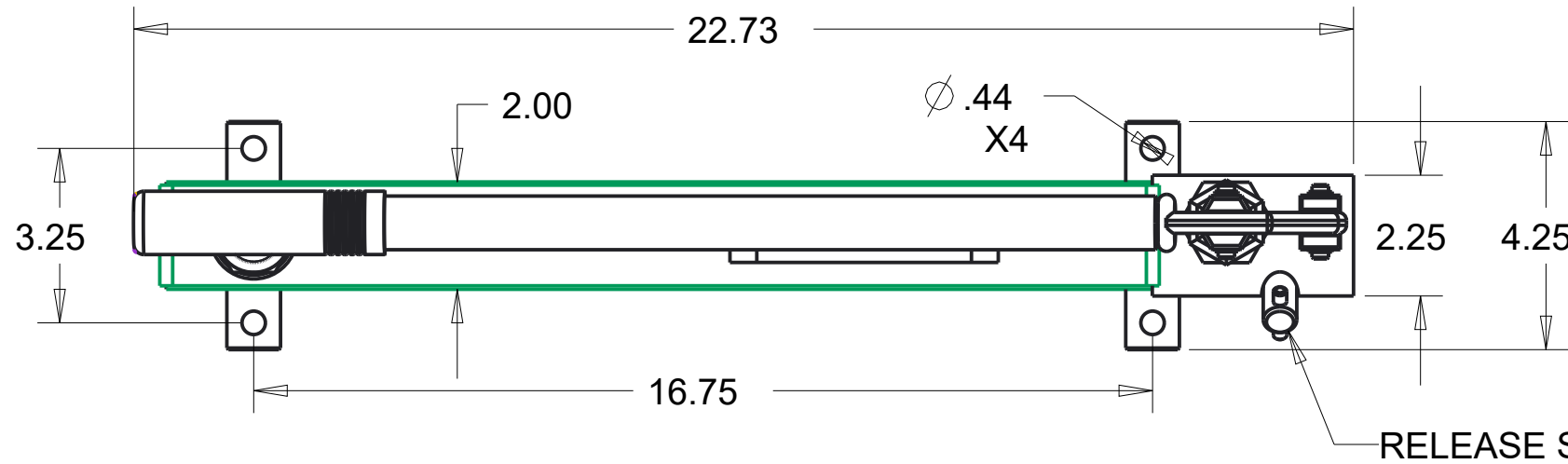

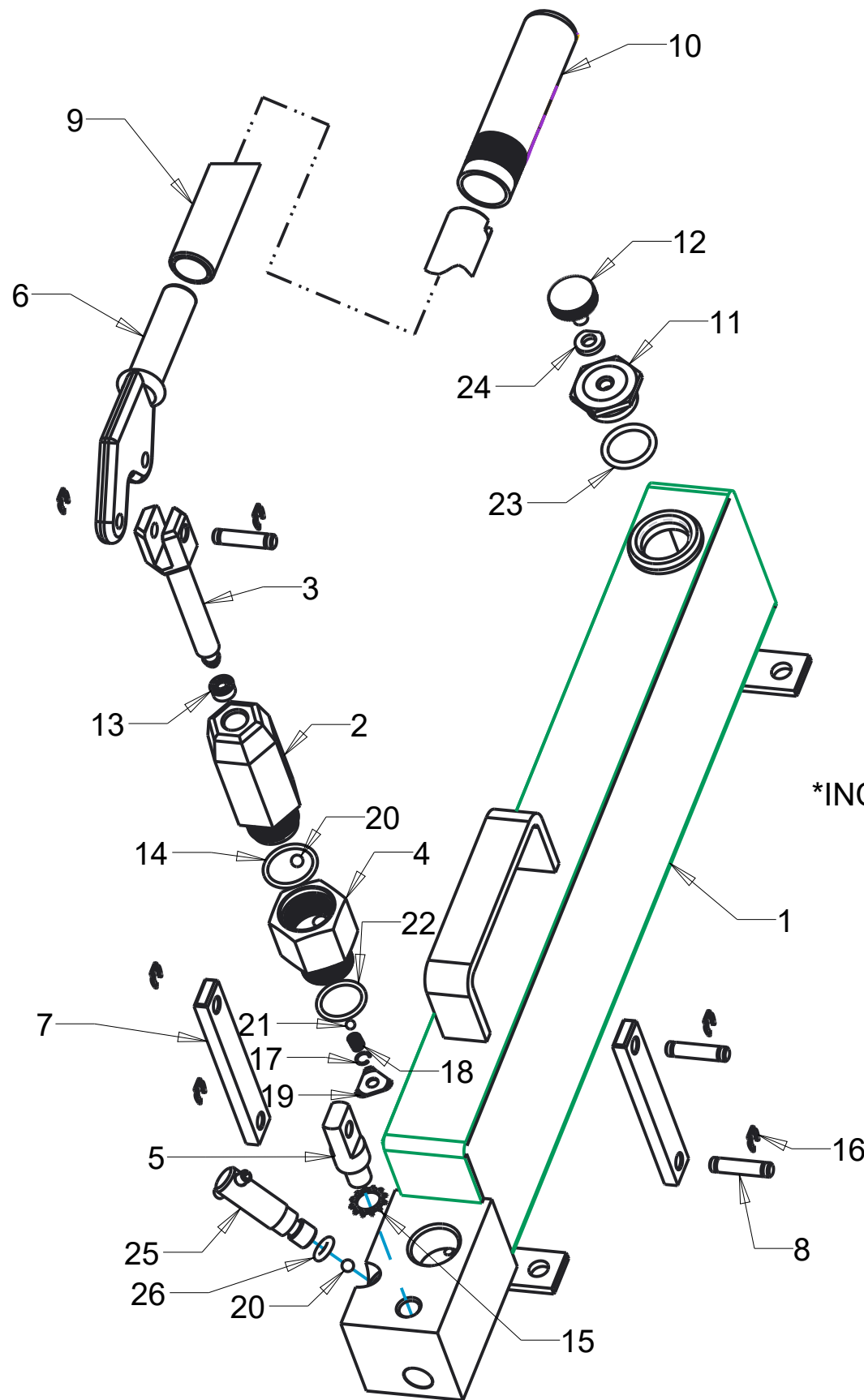


RATED: 10,000 PSI
 PISTON: $\varnothing .50$
 VOLUME/STROKE: .28 CU.IN.
 RESERVOIR: 120 CU.IN.
 HANDLE FORCE: 191 LBS. @ MAX
 OUTLET: 3/8-18 NPT
 MATERIAL: CARBON STEEL
 WEIGHT: 17 LBS.



 <small>1350 Green Hills Road #10, Scotts Valley, CA 95066 (831) 430-9920 (831) 430-9989 Fax</small>			
DRAWN BY KDR	CHKD BY	DATE: Sep-14-15	APPRV BY
SCALE: 0.300	TITLE <h2 style="text-align: center;">100-4-120 INSTALLATION DRAWING</h2>		
TOLERANCES .XX ± .01 .XXX ± .005 ∠ ± .5	SIZE <h1 style="text-align: center;">B</h1>	P/N 100009	REV: <h1 style="text-align: center;">0</h1>



RATED: 10,000 PSI
 PISTON: $\varnothing .50$
 VOLUME/STROKE: .28 CU.IN.
 RESERVOIR: 120 CU.IN.
 HANDLE FORCE: 191 LBS. @ MAX
 OUTLET: 3/8-18 NPT
 MATERIAL: CARBON STEEL
 WEIGHT: 17 LBS.

*INCLUDED IN SEAL KIT #500004

ITEM	PART NO	DESCRIPTION	QTY
1	180000	PBRSA, 100-X-120	1
2	110004	BARREL, -4	1
3	120004	PISTON, -4	1
4	130002	VALVE BLOCK, -X	1
5	160068	LUG, 1/2-20	1
6	160002	LEVER	1
7	160003	LINK, SHORT	2
8	160005	PIN	3
9	160006	HANDLE, 19"	1
10	160007	GRIP	1
11	150014	FILL PLUG	1
12	150015	AIR VENT	1
*13	550001	POLYPACK PISTON SEAL -4	1
*14	512119	O-RING, BARREL	1
15	640009	LOCKWASHER 1/2"	1
*16	650001	RETAINING RING EXT.	6
*17	650002	RETAINING RING, VB	1
*18	960001	SPRING, -X VB	1
*19	190000	CRUSH WASHER	1
*20	910002	CHECK BALL .250	2
*21	910001	CHECK BALL .1875	1
*22	522120	O-RING, VB	1
*23	512213	O-RING, FILL PLUG	1
*24	590012	SEAL, AIR VENT	1
25	170003	RELEASE SCREW ASSY.	1
*26	512203	O-RING, R.S.	1



DRAWN BY KDR	CHKD BY	DATE: Sep-14-15	APPRV BY
SCALE: 0.300	TITLE 100-4-120 PARTS BREAKDOWN		
TOLERANCES .XX ± .01 .XXX ± .005 ∠ ± .5		SIZE B	REV: 0
P/N	100009		