

• For Reference Only •

PUMP AND RAM EXPLODED PARTS DIAGRAM

See Replacement Parts List for parts available separately.

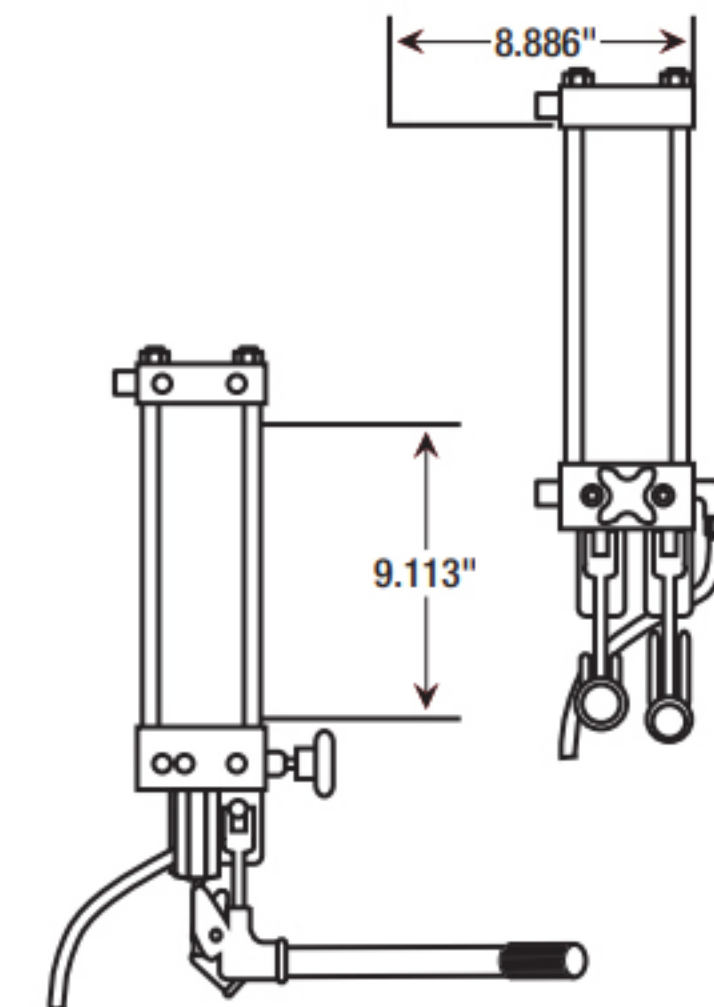
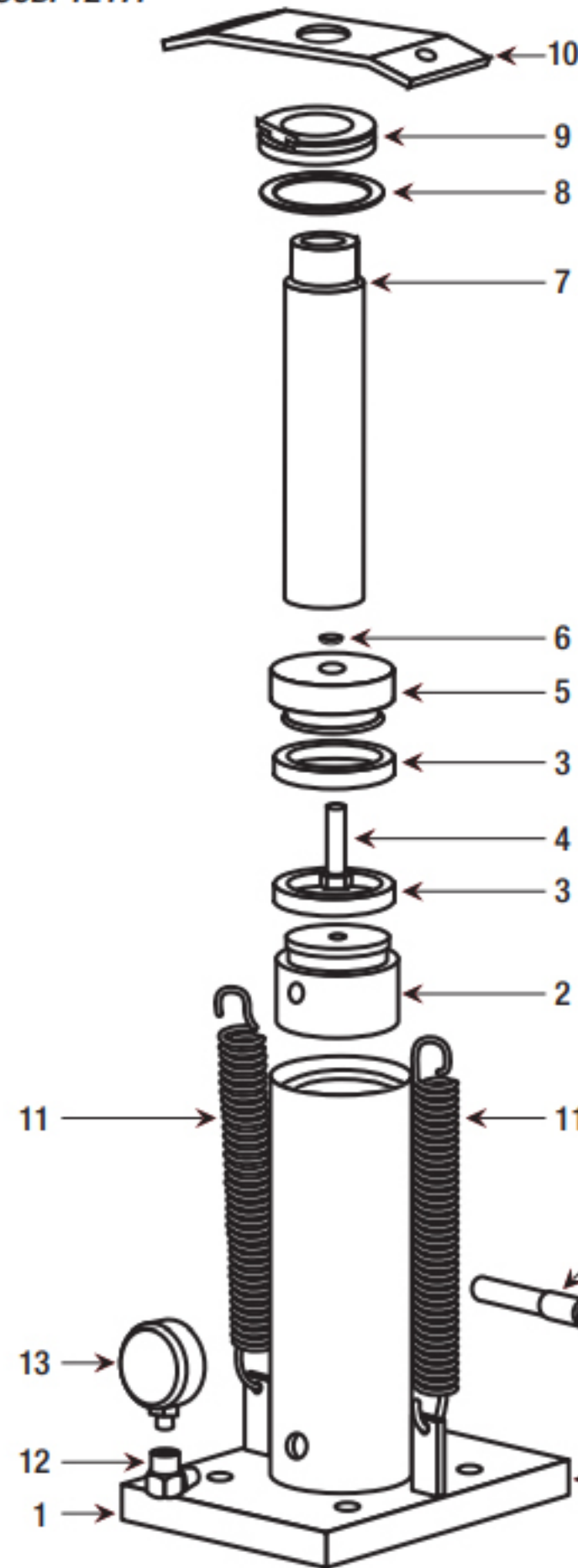
Parts with (*) are only available in Seal Kit, part number RSCBP1217.

RAM

ITEM NO.	DESCRIPTION	QTY.
1	Base Weldment	1
2	Plug	1
3	* Polypak Seal (Parker)	2
4	1/2-13 x 2 Hex HD C-S GR 2 Zinc	1
5	Piston	1
6	* O-Ring (Parker)	1
7	Rod	1
8	Retaining Ring Int. 3.5 NOM	1
9	Piston Guide	1
10	Retractor Plate	1
11	Spring	2
12	Fitting Gauge 1.75	1
13	Gauge	1
14	90° Elbow 1/4 NPTF to -6 JIC	1
15	Hose Hydraulic 41 1/2 LG 7/16-20 JICF	1

PUMP

ITEM NO.	DESCRIPTION	QTY.
1	Tank	1
2	Tie Rod	4
3	1" Piston Body	1
4	1/2" Piston Body	1
5	1" Piston	1
6	1/2" Piston	1
7	1/4" MNPT Pressure Plug	1
8	Pump Body	1
9	Pump Lid	1
10	Pump Bracket	2
11	Valve Assembly	1
12	Pivot Pin	2
13	* 5/16 Steel Ball	5
14	Brass Drain Cock	1
15	Cradle Assembly	2
16	Hydraulic Hose 41-1/2" L 7/16-20 JICF	1
17	7/16-14 Fin Hex Nut Zinc	4
19	* O-Ring	1
20	* O-Ring	1
21	* 3-1/2" Seal	2
22	* 3-5/16" Seal	1
23	* 3-3/16" Seal	1
24	SHCS 7/16 14 x 1/2"	4
25	SHCS 7/16 14 x 3/4"	4
26	* Light Spring	2
27	* Heavy Spring	2
28	7/16" Split Lock Washer	6
29	Pump Filter	1
30	Pump Fitting 1/4" MNPT 7/16" JICF	1
31	7/8" Grip	1
32	Handle for Pump	1
33	* O-Ring	1



Individual parts pictured are components of the Seal Kit, RSCBP1217.

