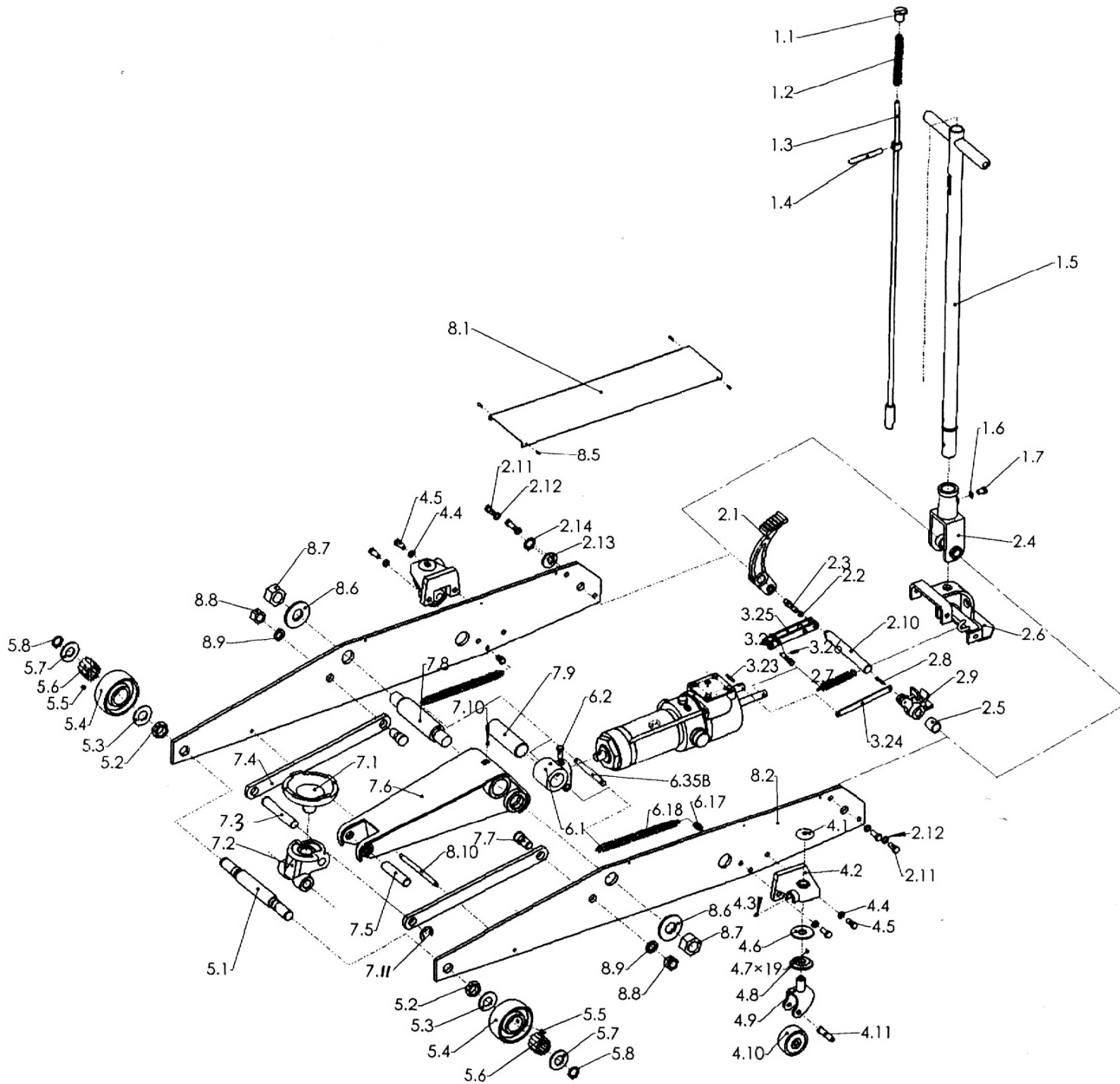


STRONGARM™

5 TON HEAVY DUTY JACK MODEL 955 PRODUCT # 030434



5 TON HEAVY DUTY JACK MODEL 955 PRODUCT # 030434

REF	PART NUMBER	DESCRIPTION	REF	PART NUMBER	DESCRIPTION
2-3	PFH-955P02-3	PIN	6-2	PFH-955P06-2	SCREW
2-4	PFH-955P02-4	FORK MEMBER	6-3	PFH-955P06-3	O RING
2-5	PFH-955P02-5	BUSH		PFH-955P06-3%	OIL SEAL OLD STYLE
2-6	PFH-955P02-6	BASE	6-4	PFH-955P06-4	LARGE NUT
2-7	PFH-955P02-7	SPRING	6-4A	PFH-955P06-4A	WIPER SEAL
2-8	PFH-955P02-8	PIN	6-5	PFH-955P06-5	RING
2-9	PFH-955P02-9	CAP CAM	6-6	PFH-955P06-6	O RING
2-10	PFH-955P02-10	HANDLE SHAFT	6-7	PFH-955P06-7	BUSH
2-11	PFH-955P02-11	BOLT	6-8	PFH-955P06-8	SEAL RING
2-12	PCN-952BP09	WASHER	6-9	PFH-955P06-9	PISTON ROD & PISTON (06-9-13)
2-13	PFH-955P02-13	WASHER	6-10	PFH-955P06-10	RUBBER CUP
2-14	PCN-954P05-8	SNAP RING	6-11	PFH-955P06-11	PACKING
3-1	PFH-955P03-1	FILTER	6-12	PFH-955P06-12	SPRING
3-2	PFH-955P03-2	COPPER PACKING	6-13	PFH-955P06-9	PISTON ROD & PISTON (06-9-13)
3-3	PFH-955P03-3	OUTSIDE TUBE	6-14	PYA-970P05-20	STEEL BALL
3-4	PYA-970P06-6	PACKING	6-15	PFH-955P06-15	PUSH NEEDLE
3-5	PFH-957P03-5	REL VALVE HSG	6-16	PFH-955P06-16	VALVE SEAT
3-6	PFH-957P03-6	REL VALVE	6-17	PFH-957P06-17	HANGER SPRING
3-7	PYA-970P10-3	COTTER PIN	6-18	PFH-955P06-18	SPRING
3-8	PYA-970P10-5	LOCKING NUT	6-20	PFH-955P06-20	OUTER BODY
3-9	PYA-970P10-8	SPRING	6-22	PYA-970P04-9	STEEL BALL
3-10	PYA-970P10-4	REL VALVE ROD	6-23	PFH-955P06-23	SMALL PUSH ROD
3-11	PFH-955P03-11	RUBBER RING	6-24	PYA-970P06-4A	LARGE STEEL BALL
3-12	PFH-955P03-12	RUBBER GASKET	6-25	PFH-955P06-25	SEPARATOR
3-13	PFH-955P03-13	CYLINDER BODY	6-26	PFH-957P06-26	PACKING
3-14	PYA-970P07-7	DIAPHRAGM	6-27	PFH-957P06-27	BOLT
3-15	PFH-955P03-15	COVER PLATE	6-28	PYA-740P03-7	STEEL BALL
3-16	PYA-970P07-3	BOLT	6-29	PFH-957P06-29	VALVE SEAT
3-17	PFH-955P03-17	SCREW	6-30	PFH-957P06-30	SPRING
3-18	PFH-955P03-18	WASHER	6-32	PFH-957P06-32	PLUG SCREW
3-19	PYA-970P07-6	FIBRE GASKET	6-33	PFH-957P06-33	SEAL RING
3-19A	PFH-955P06-19A	WASHER	6-34	PFH-957P06-34	SCREW
3-20	PFH-955P03-20	BOLT	6-35	PYA-970P05-21	PACKING
3-21	PYA-970P10-5	LOCKING NUT	6-35B	PFH-955P06-19	SHAFT
3-22	PYA-970P10-9	FORK	7-1	PFH-955P07-1	SADDLE
3-23	PYA-970P10-12	COTTER PIN	7-2	PFH-955P07-2	JOINT
3-24	PFH-955P03-24	CONNECTING ROD	7-3	PFH-955P07-3	AXLE
3-25	PFH-955P03-25	DRIVING ROD	7-3A	PFH-955P05-8	RET CLIP AXLE



5 TON HEAVY DUTY JACK MODEL 955 PRODUCT # 030434

REF	PART NUMBER	DESCRIPTION	REF	PART NUMBER	DESCRIPTION
3-26	PFH-957P03-26	COTTER PIN	7-4	PFH-955P07-4	LEVEL SUPPORTING ROD
3-27	PFH-955P03-27	PIN	7-5	PFH-955P07-5	AXLE
3-28	PFH-955P03-28	PUMP PLUNGER	7-6	PFH-955P07-6	ROCKER
3-29	PFH-955P03-29	LOCKING NUT	7-7	PFH-955P07-7	LINK ROD PIN
3-30	PFH-955P03-30	RUBBER GASKET	7-8	PFH-955P07-8	AXLE
3-31	PFH-955P03-31	O RING	7-9	PFH-955P07-9	AXLE
3-32	PFH-955P03-32	STOP RING	7-10	PFH-955P07-10	GREASE NIPPLE
3-33	PFH-955P03-33	BUSH PREVENT RING	7-11	PFH-959P07-3A	SPLIT RING
4-0	PFH-955P04-0	CASTER ASSEMBLY	8-1	PFH-955P08-1	COVER PLATE
4-1	PFH-955P04-1	CAP	8-2	PFH-955P08-2	SIDE PLATE
4-2	PFH-955P04-2	CASTER BRACKET	8-3	PFH-955P08-3	RIVET
4-3	PFH-957P04-3	GREASE NIPPLE	8-5	PFH-957P08-5	SCREW
4-4	PCN-952BP09	WASHER	8-6	PFH-955P08-6	WASHER
4-5	PCN-814AP93	BOLT	8-7	PYA-970P03-6	NUT
4-6	PFH-955P04-6	UPPER RACE RING	8-8	PFH-957P08-8	NUT
4-7	PYA-970P04-9	STEEL BALL	8-9	PFH-957P08-9	WASHER
4-8	PFH-955P04-8	LOWER RACE RING	8-10	PFH-955P08-10	LIMITER AXLE
4-9	PFH-955P04-9	WHEEL FORK		PFH-955PHU	HYDRAULIC UNIT
4-10	PFH-955P04-10	WHEEL		PFH-955PRK	REPAIR KIT MODEL 955