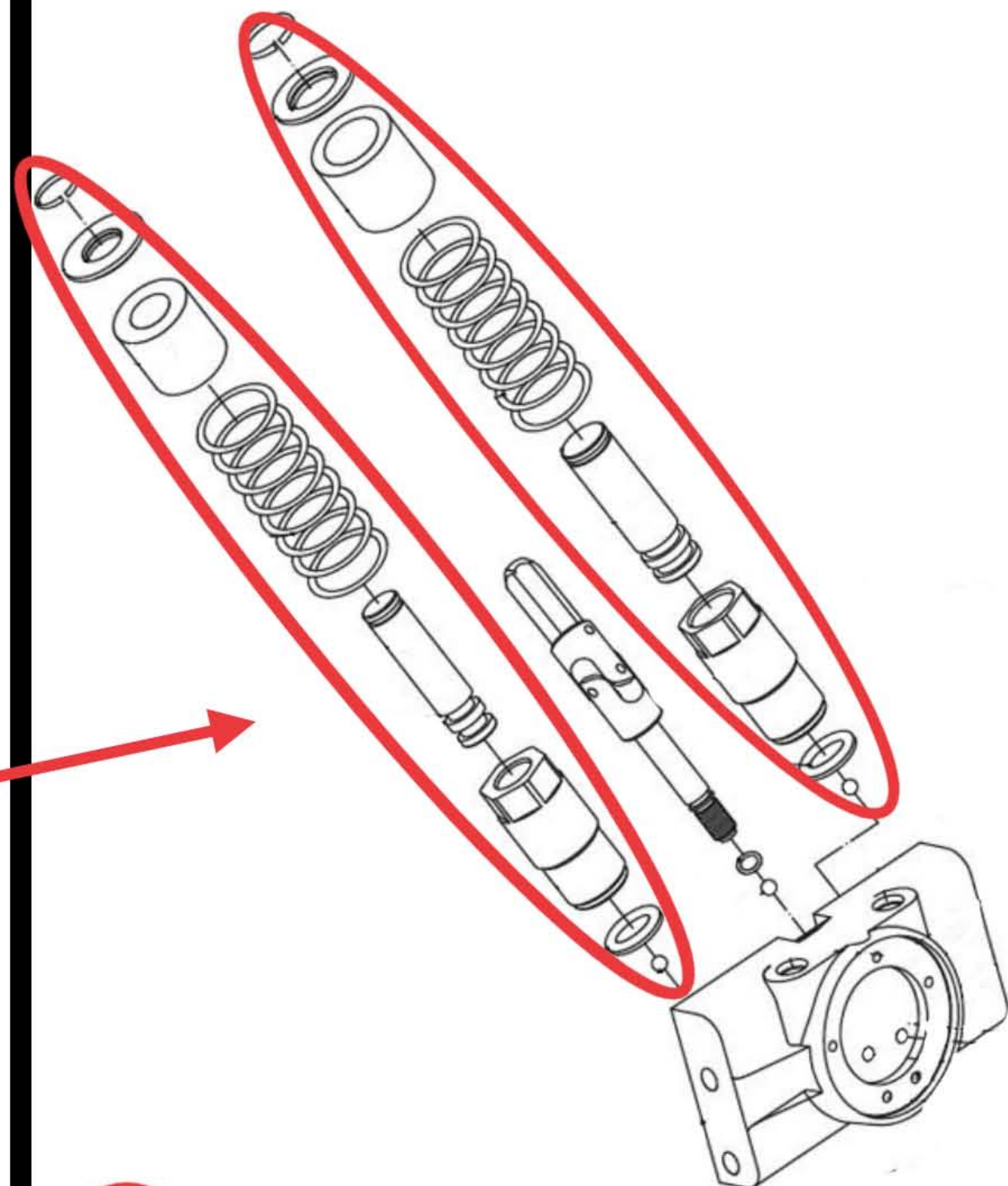


# Current Style

## - Version 3 -

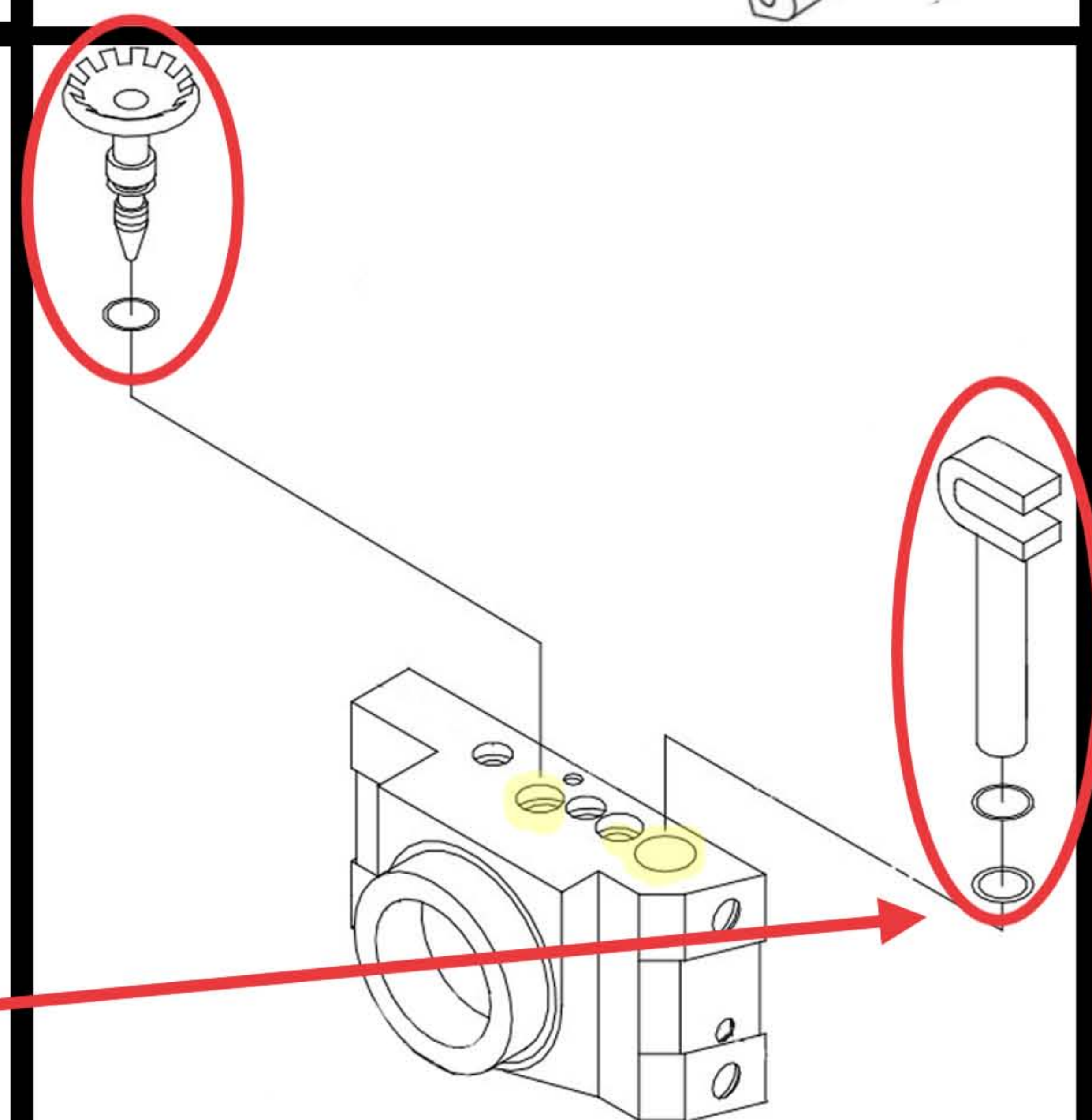
> Two Pump Pistons located on the back of the block



# Original Style

## - Version 1 -

> Gear style Release Valve located on top of the block.  
> 'C' style Pump Piston located on TOP of the block.



# Mid-Style

## -Version 2 -

> Release Assy. has a clip holding it in place.  
> 'C' style Pump Piston located on BACK of block.

