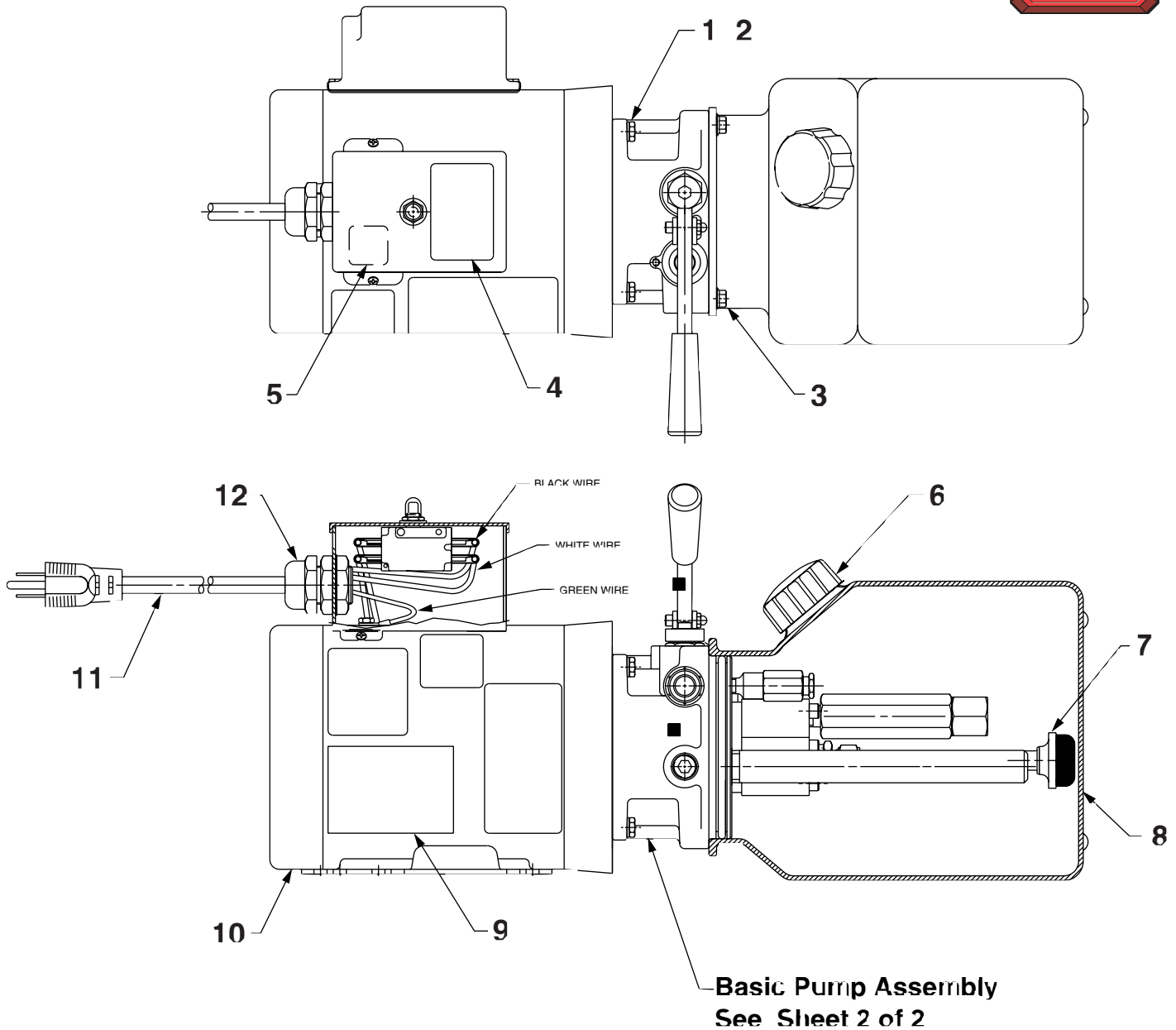


## MODEL B ELECTRIC HYDRAULIC GEAR PUMP

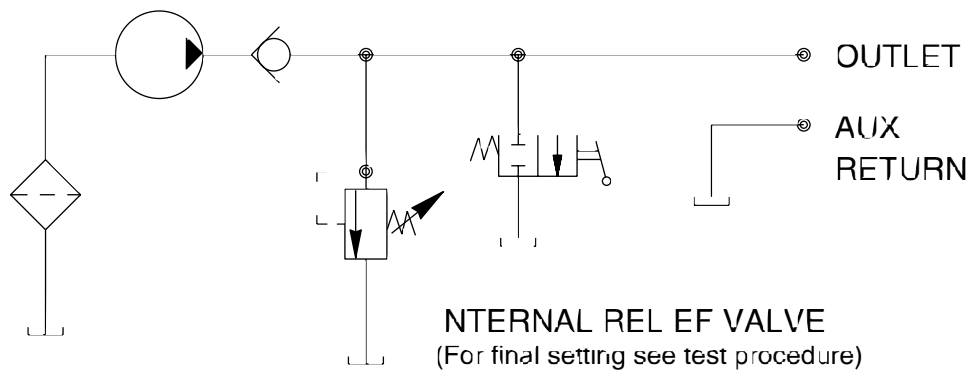


**NOTE:** Views shown here are of GPM08E32A.

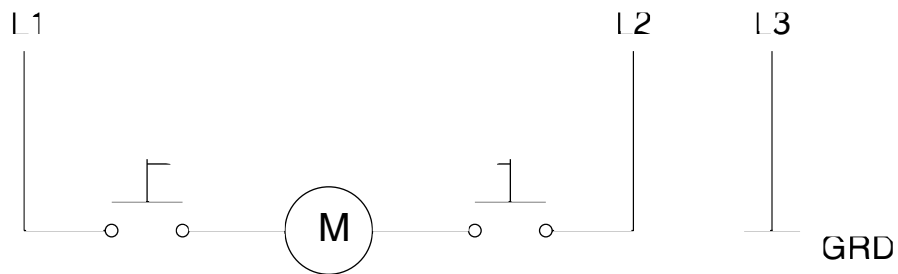
Item No.	Part No.	No. Req'd	Description
1	10048	4	Screw, Hex HD Cap (3/8 16 x 7/8 Lg.)
2	10247	4	Washer, Lock (.68 x .39)
3	253305	4	Screw, Hex HD (1/4-20 x .50)
4	253108	1	Decal, Label Controls
5	253287	1	Decal, ETL
6	252646	1	Cap, Filler Breather
7	15417	1	Strainer, Suction
8	65857	1	Reservoir (1 Gallon)
9	351771	1	Decal, Warning
10	59117	1	Motor, Elec. (115/230V, 60/50 HZ)
11	351766	1	Cord (8' LG, 115V, 14/3 STO)
12	252387	1	Bushing, Stain Relief



### HYDRAULIC SCHEMATIC

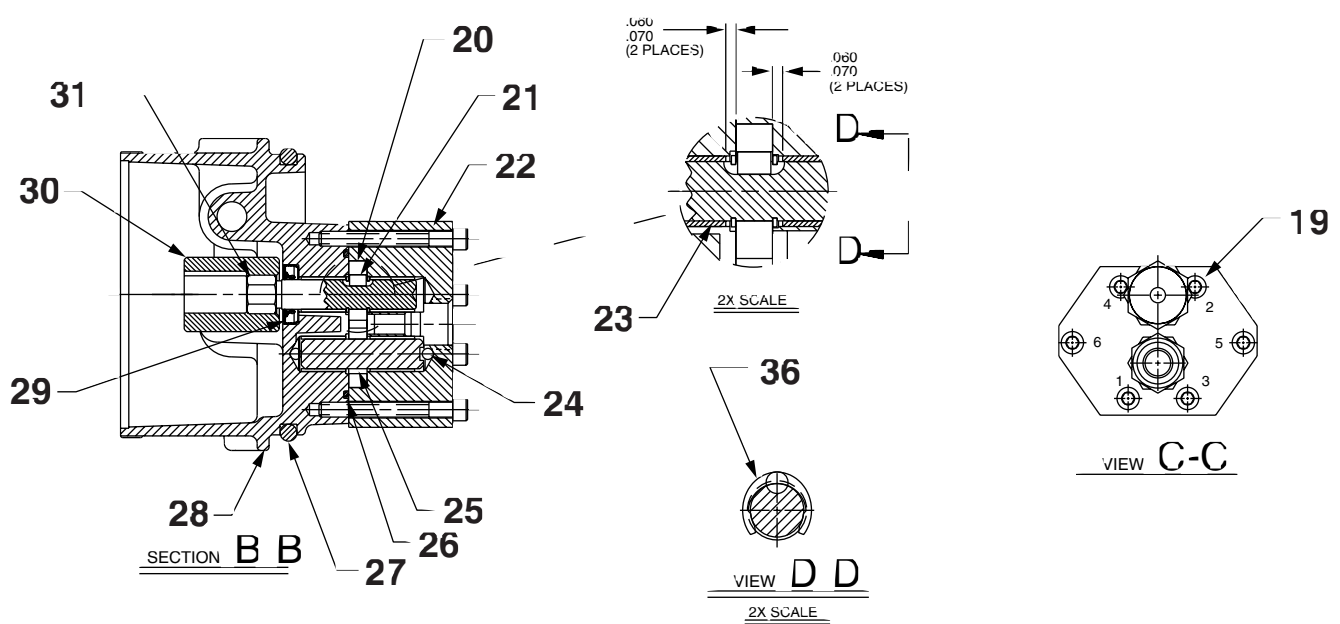
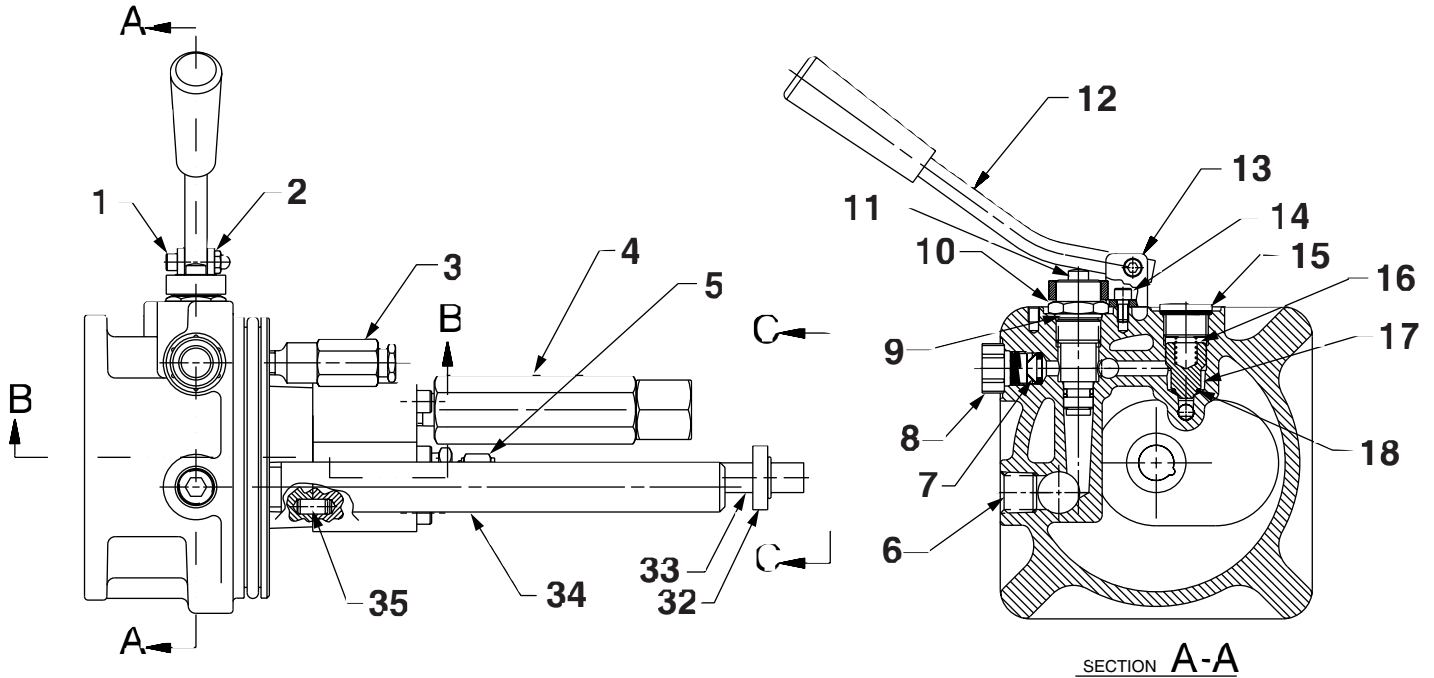


### ELECTRICAL SCHEMATIC



# BASIC PUMP

To Parts List



# Parts List, Form No. 101956, Back sheet 2 of 2

Item No.	Part No.	No. Req'd	Description
1	253086	1	Screw, Socket HD (10-24 x 7/8 Lg.)
2	207405	1	Nut, Hex Lock (10-24)
3	421638-32W	1	Valve, Relief (Set at 3,400/3,800 PSI; for GPM08E32A)
	421638-32	1	Valve, Relief (Set at 3,300/3,700 PSI; for GPM08E32A-H)
4	351806	1	Valve, Soft Start
5	253231	1	Fitting, Straight (1/2 NPTF)
6	16232	1	Fitting, Plug (3/8 PTF)
7	253330	1	Filter
8	250962	1	Fitting, Plug (9/16-18 Plastic)
9	10527	1	O-ring (.81 x .64 Nitrile)
10	351787	1	Cap, Release Valve
11	351633	1	Valve, Release
12	351785	1	Handle
13	351786	1	Bracket, Mounting
14	14276	1	Screw, Socket HD (10-32 x 3/8)
15	214014	1	Fitting, Plug (1/2 Tube)
16	10425	1	Spring (.37 OD x .75 x .03 WS)
17	351827	1	Body Poppet
18	14763	1	O-ring (.43 x .31 Urethane)
19	12001	6	Screw, Soc HD (1/4-20 x 2-1/4; Cross torque in 60 in. lbs. increments in order shown, Torque to 120 in. lbs.)
20	421625-0.8	2	Gear
21	253070-0.8	1	Key
22	65918-0.8	1	Body, Pump
23	253071	4	Bearing, Sleeve
24	12223	2	Ball (3/16" Dia. Steel)
25	253068	1	Shaft
26	253069	1	O-ring (2.250 x 2.062 Nitrile)
27	252645	1	O-ring (4.750 x 4.375 Nitrile)
28	65738	1	Body, Valve
29	252616	1	Seal, Oil Shaft
30	351625	1	Coupling
31	351627-0.8	1	Shaft
32	253331	1	Magnet
33	253232	1	Tube, Intake (for GPM08E32A)
	351840	1	Tube, Intake (for GPM08E32A-H)
34	253233	1	Tube, Drain (for GPM08E32A only)
35	15156	2	Pin, Dowel (.25 x .50)
36	253072	2	Ring, Retain Ext. (.44 x .035; Position retaining ring to keyway as shown)



Note: Shaded areas reflect last revision(s) made to this form.