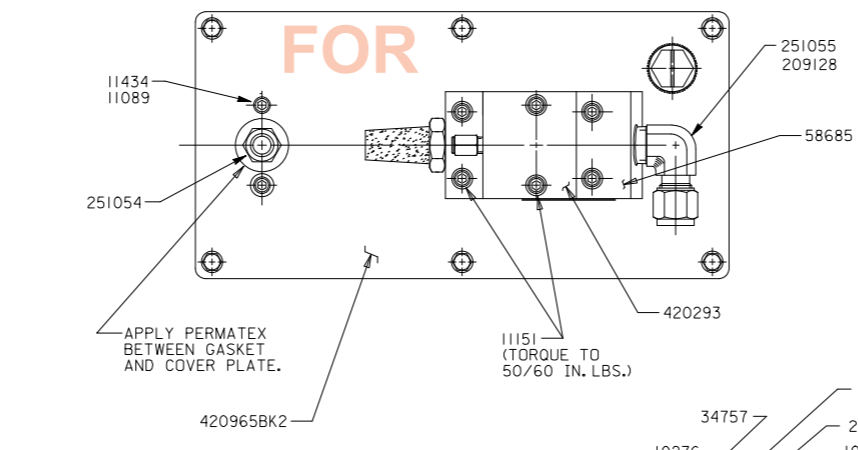
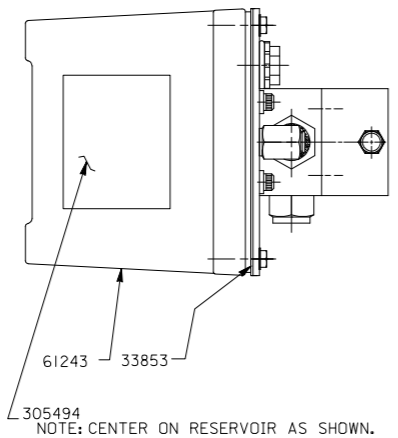
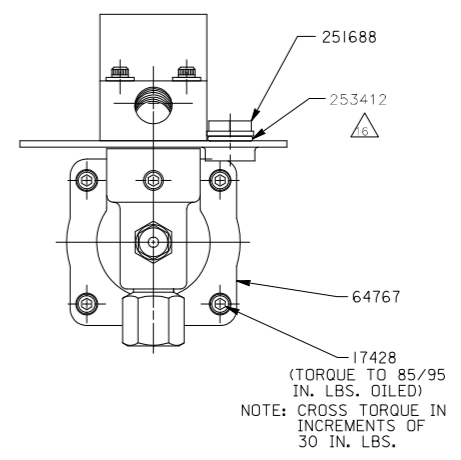
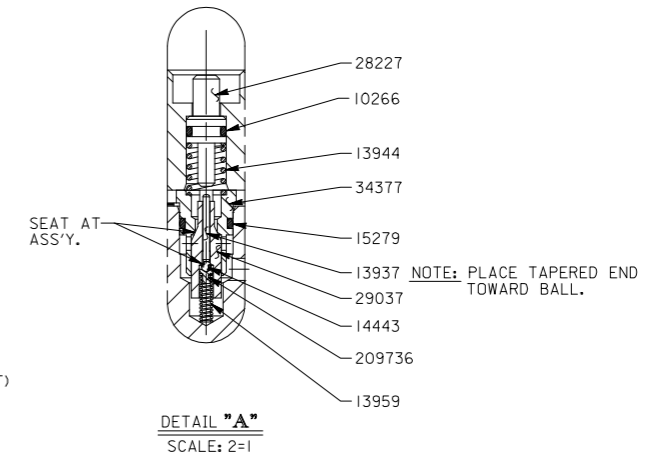
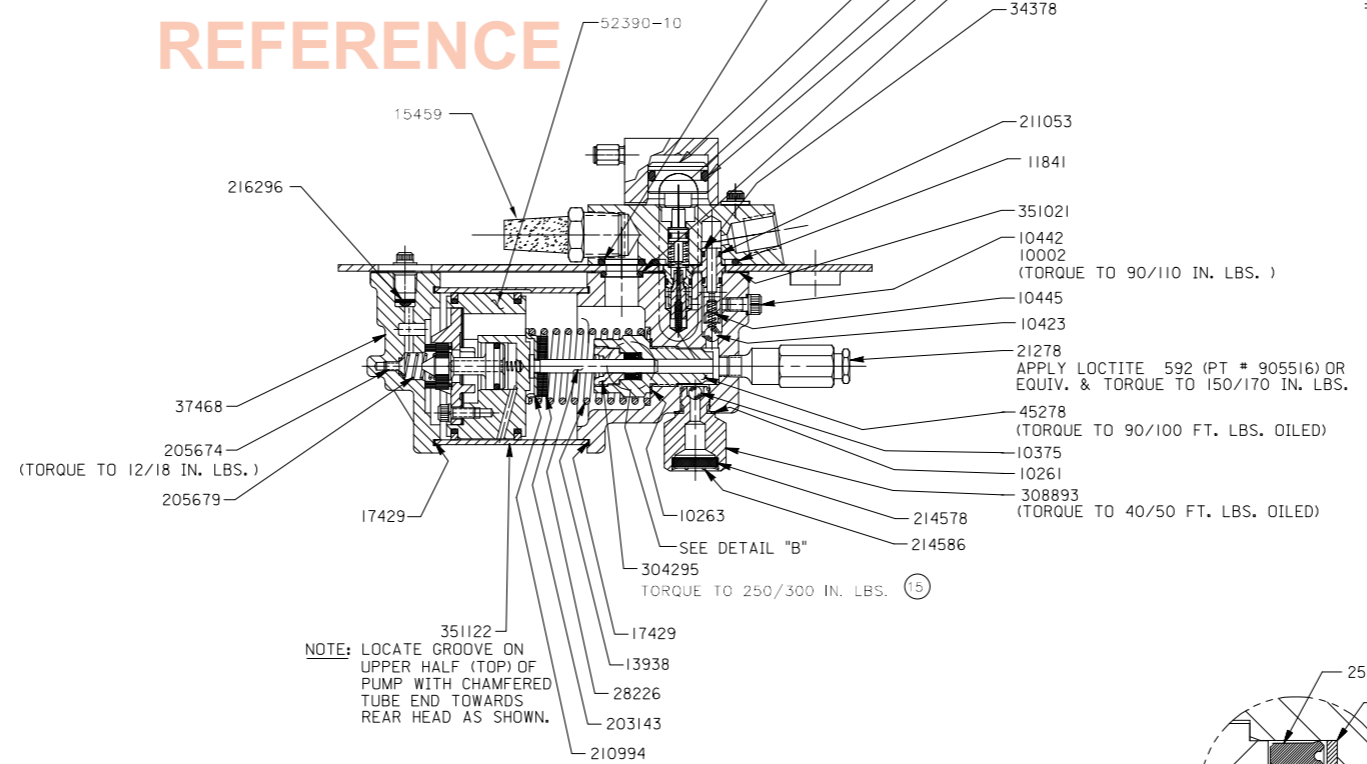


8 7 6 5 4 3 2 1

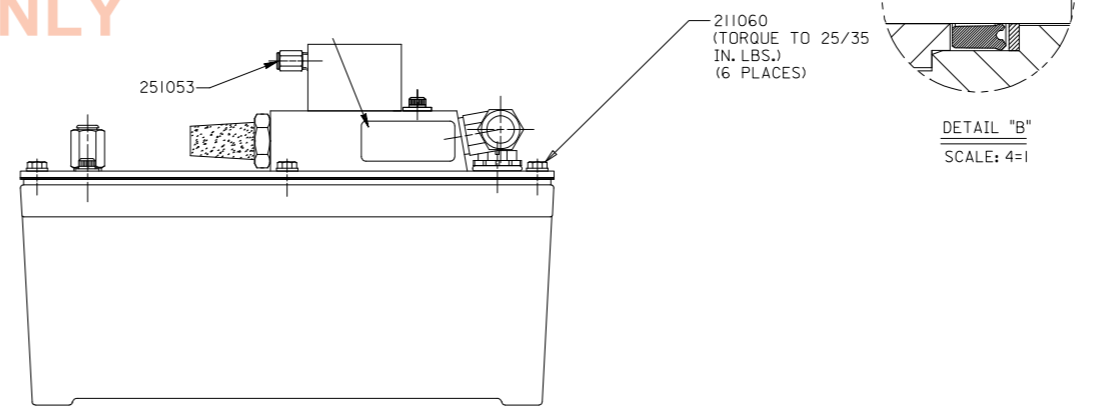
F
E
D
C
B
A



REFERENCE



ONLY



THIRD ANGLE PROJECTION

THIS DRAWING, UNLESS OTHERWISE SPECIFIED, IS THE PROPERTY OF SPX CORPORATION. IT IS TO BE USED ONLY FOR THE PURPOSES SPECIFIED HEREIN. ANY REPRODUCTION OR TRANSMISSION OF THIS DRAWING IN ANY FORM OR BY ANY MEANS, WITHOUT THE WRITTEN PERMISSION OF SPX CORPORATION, IS STRICTLY PROHIBITED.

SPX
HYDRAULIC TECHNOLOGIES P.S.I.
NAME 1/4" DIA. PISTON
DRAWING NUMBER PA6R-MILL

8 7 6 5 4 3 2 1