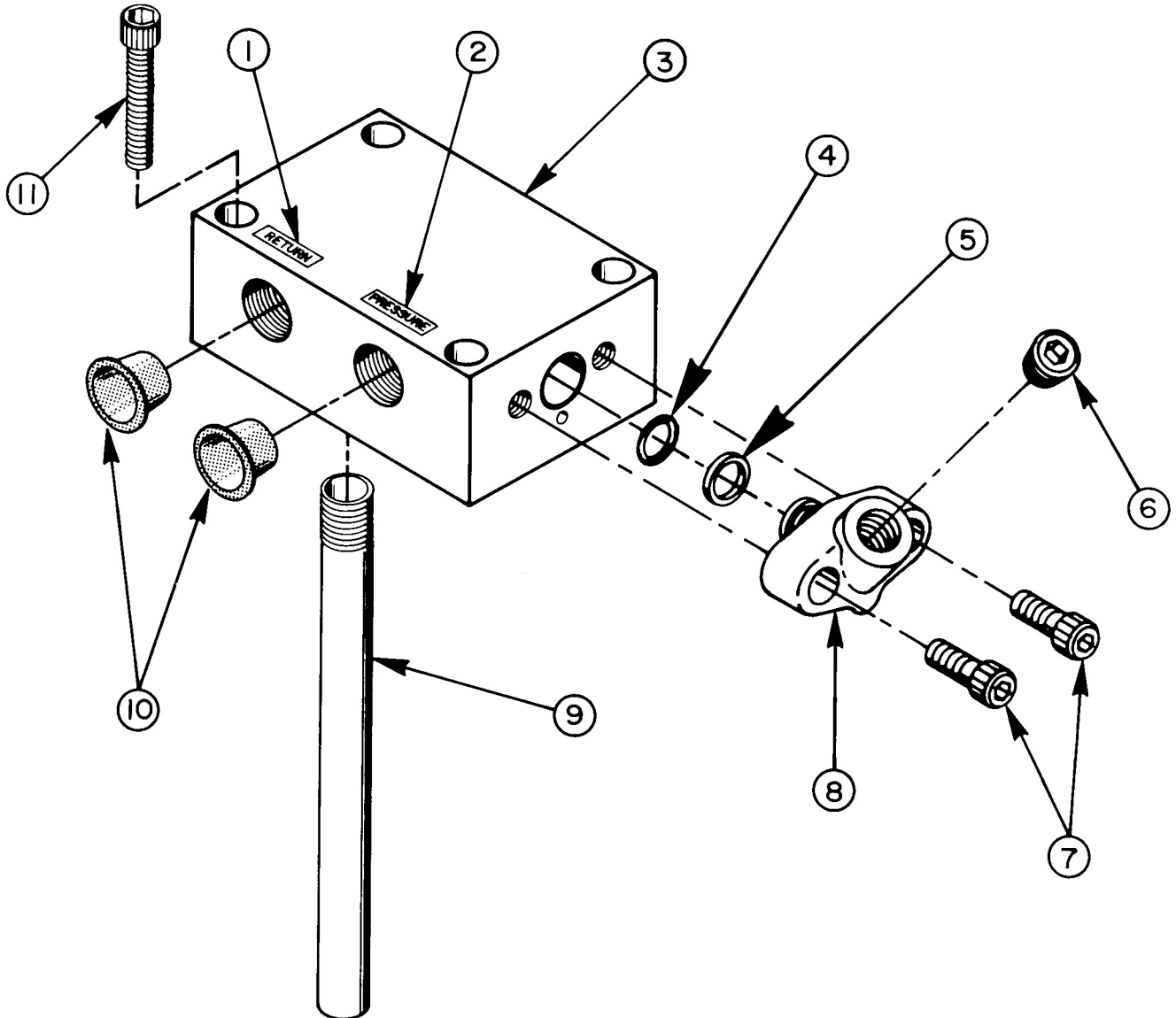


MANIFOLD ASSEMBLY



Item No.	Part No.	No. Req'd	Description
1	201746	1	Decal
2	201747	1	Decal
3	42355	1	Manifold Block
4	10268	1	O-ring (3/8 X 1/2 X 1/16, -012)
5	10311	1	Backup Washer (-12)
6	10479	1	Pipe Plug (1/4 NPTF)
7	10006	2	Soc. Hd. Cap Screw (1/4-20 X 5/8 Lg.)
8	20866	1	Adapter
9	20847	1	Drain Line
10	13270	2	Plastic Plug
11	10020	4	Soc. Hd. Cap Screw (1/4-20 X 1-1/4 Lg.)

PARTS INCLUDED BUT NOT SHOWN

201821	1	Trade Name Decal
--------	---	------------------

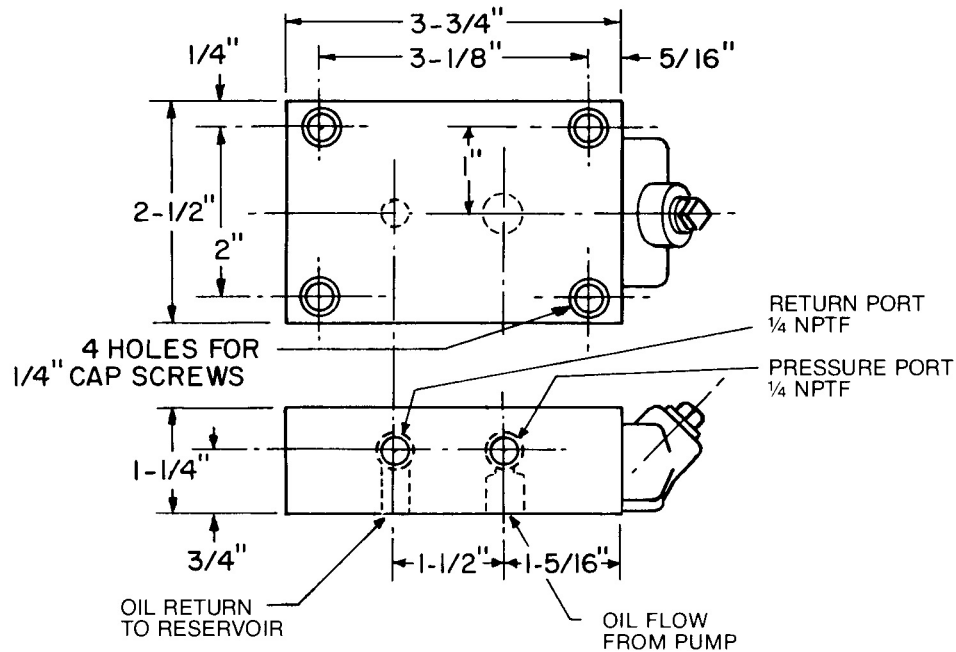
SPECIFICATIONS

Intended for use on a power unit when the control valves are remotely located in the hydraulic circuit. It is subplate mounted on the pump cover plate and provides a pressure and return port.

PORT SIZES: 1/4" NPTF

MAXIMUM PRESSURE: 5,000 PSI

MAX. RECOMMENDED FLOW: 5 GPM



PORT SIZES: 1/4" NPTF

MAXIMUM PRESSURE: 5,000 PSI

MAX. RECOMMENDED FLOW: 5 GPM