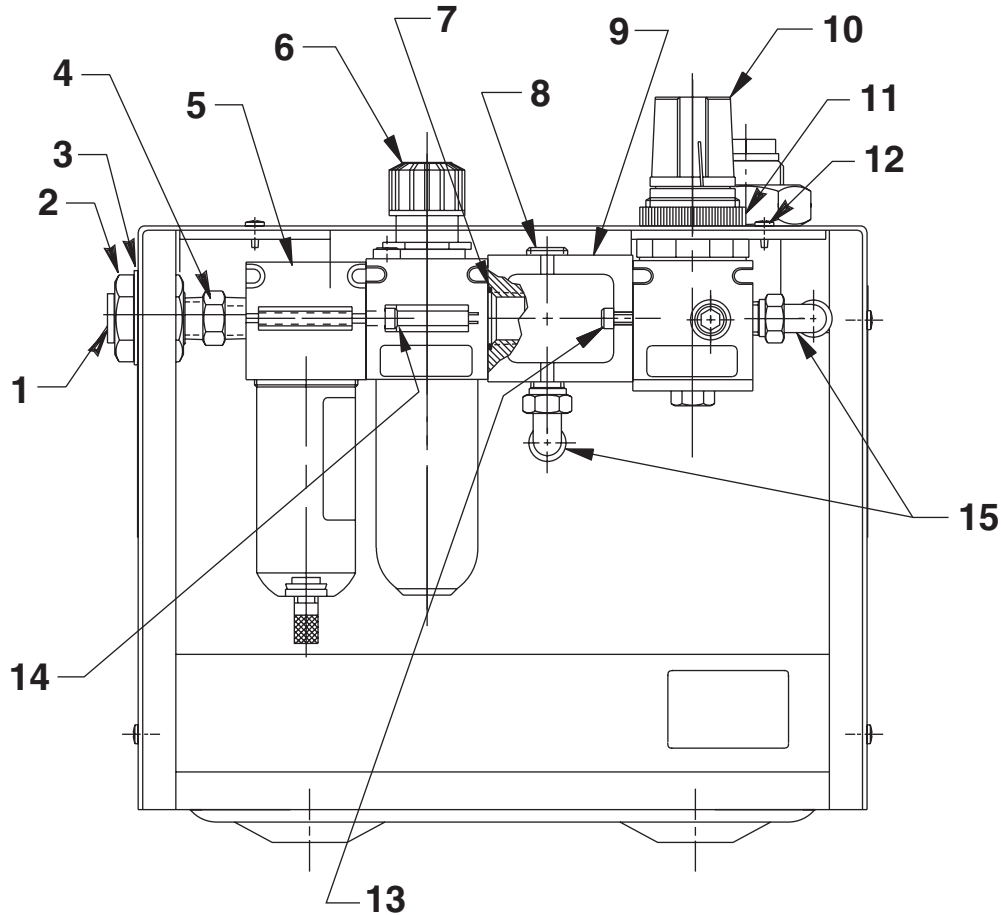


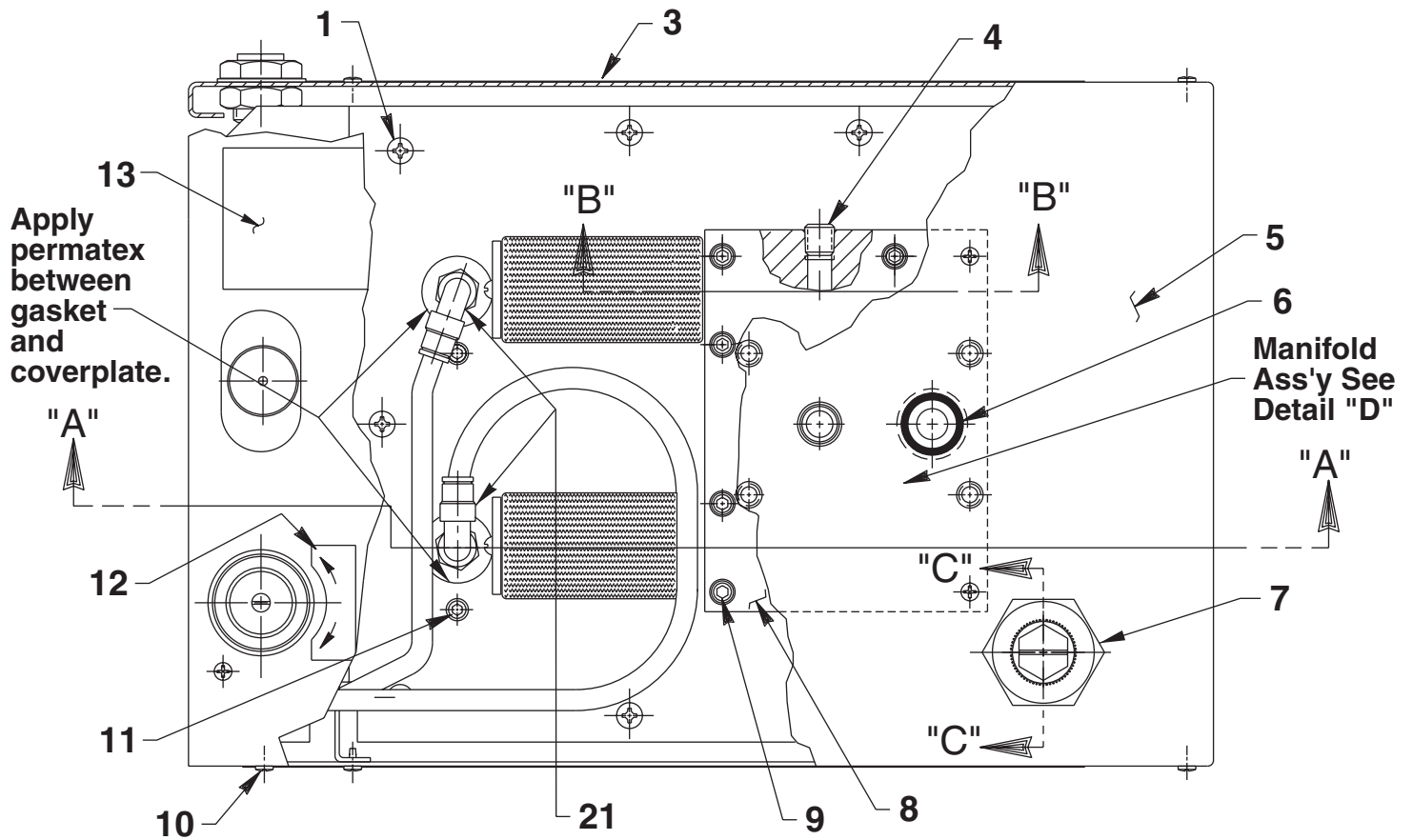
**MODEL F  
AIR HYDRAULIC PUMP**



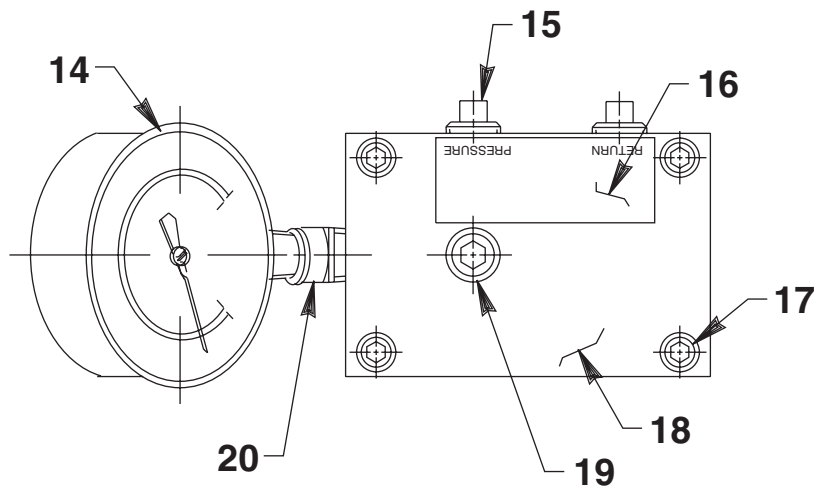
Item No.	Part No.	No. Req'd	Description
1	13270	1	Plastic Cap
2	216671	1	Fitting
3	12330	1	Plain Washer (For 3/4 bolt)
4	16494	1	Hex Nipple
5	351109	1	Filter Assembly (For replacement bowl order no. 251812; For replacement filter order no. 251811)
6	252030	1	Air Lubricator (For replacement bowl order no. 251813)
7	10273	2	O-ring (13/16 X 5/8 X 3/32; Included with connector block [Item #9])

Item No.	Part No.	No. Req'd	Description
8	10479	1	Pipe Plug (1/4 NPTF)
9	252031	1	Connector Block (Includes [2] of Item #7 and [6] of Item #13)
10	252033	1	Air Regulator
11	16614	1	Mounting Ring
12	14126	4	Screw (10-24 x 3/8 Lg.)
13	10826	6	Cap Screw (#8-32 UNC X 1/2 Lg.; Included with connector block [Item #9])
14	252064	2	Cap Screw (#8-32 x 1-3/4" Lg.)
15	15457	2	Fitting

**TOP VIEW**



**DETAIL D**



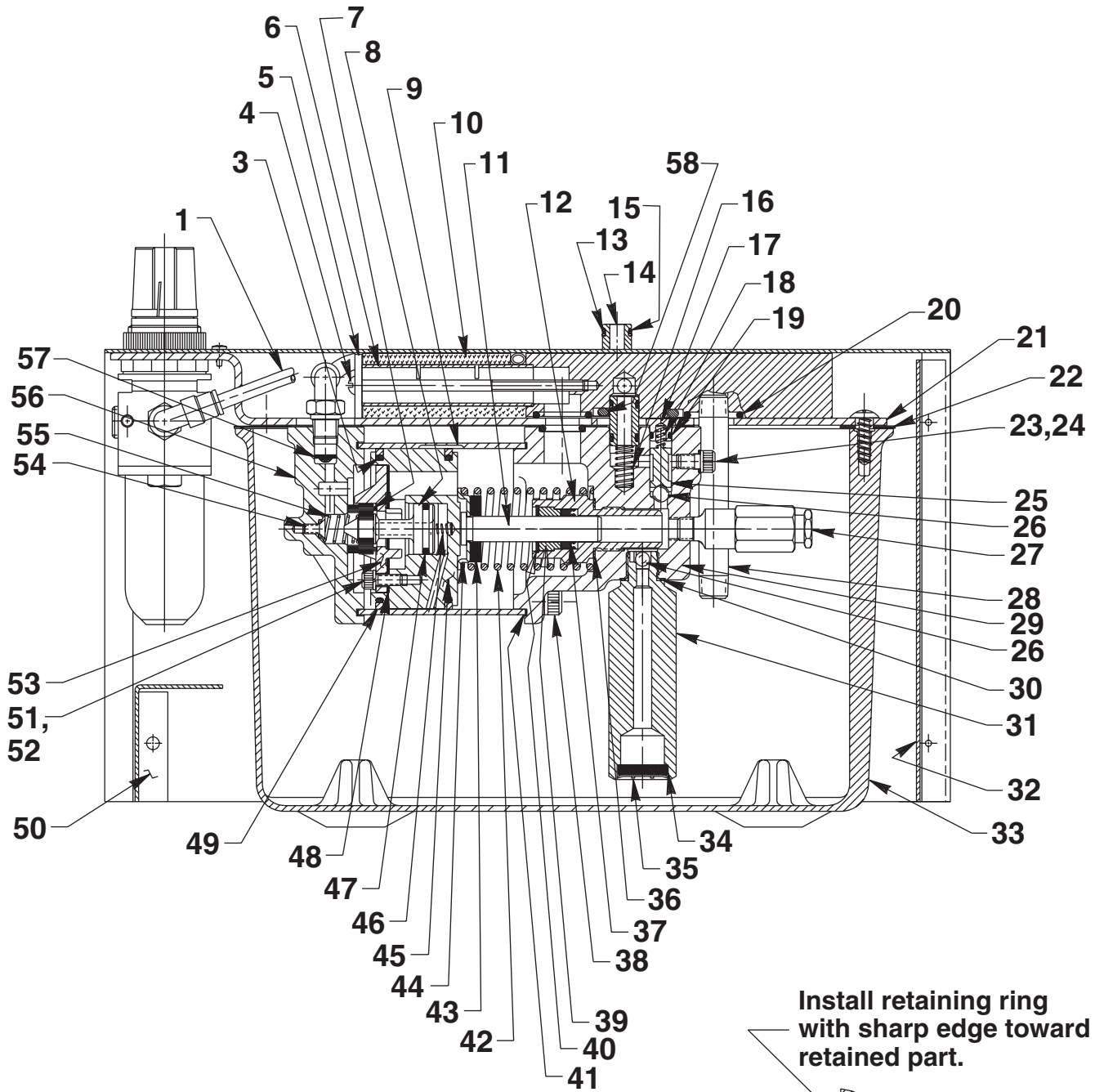
Item No.	Part No.	No. Req'd	Description
1	252168	10	Cap Screw (1/4-10 X 1" Lg. Self-tapping; Torque to 35/45 in. lbs.)
3	309386	2	Decal
4	10427	2	Pressure Plug
5	65062WH2	1	Top Cover
6	*†10274	1	O-ring (7/8 X 11/16 X 3/32)
7	252042	1	Hex Jam Nut (1"-14UNS-2B)
8	65071	1	Manifold Block
9	11151	8	Cap Screw (10-24 UNC X 1-1/4" Lg.; Torque to 50/60 in. lbs.)
10	14126	6	Screw (10-24 X 3/8 Lg.)
11	11434	4	Cap Screw (10-24 UNC X 1/2 Lg.; Torque to 50/60 in. lbs.)
12	202076	1	Decal
13	350492	1	Decal
14	17946	1	Pressure Gauge
15	10970	2	Pipe Plug
16	210995	1	Decal
17	10020	4	Cap Screw (1/4-20 UNC X 1-1/4" Lg.)
18	45837	1	Manifold
19	10479	1	Pipe Plug
20	10645	1	45° Street Elbow
21	15457	2	Fitting

**PARTS INCLUDED BUT NOT SHOWN**

209799	4	Cap Screw (1/4-10 X 7/8 Lg. Self-tapping; Torque to 35/45 in. lbs.; For pump mounting purposes only)
--------	---	---

Part numbers marked with an asterisk (\*) are contained in Repair Kit No. 300884 for pump #100200.  
Part numbers marked with a dagger (†) are contained in Repair Kit No. 300937 for pump #100922.

**SECTION A-A**



**Detail C**

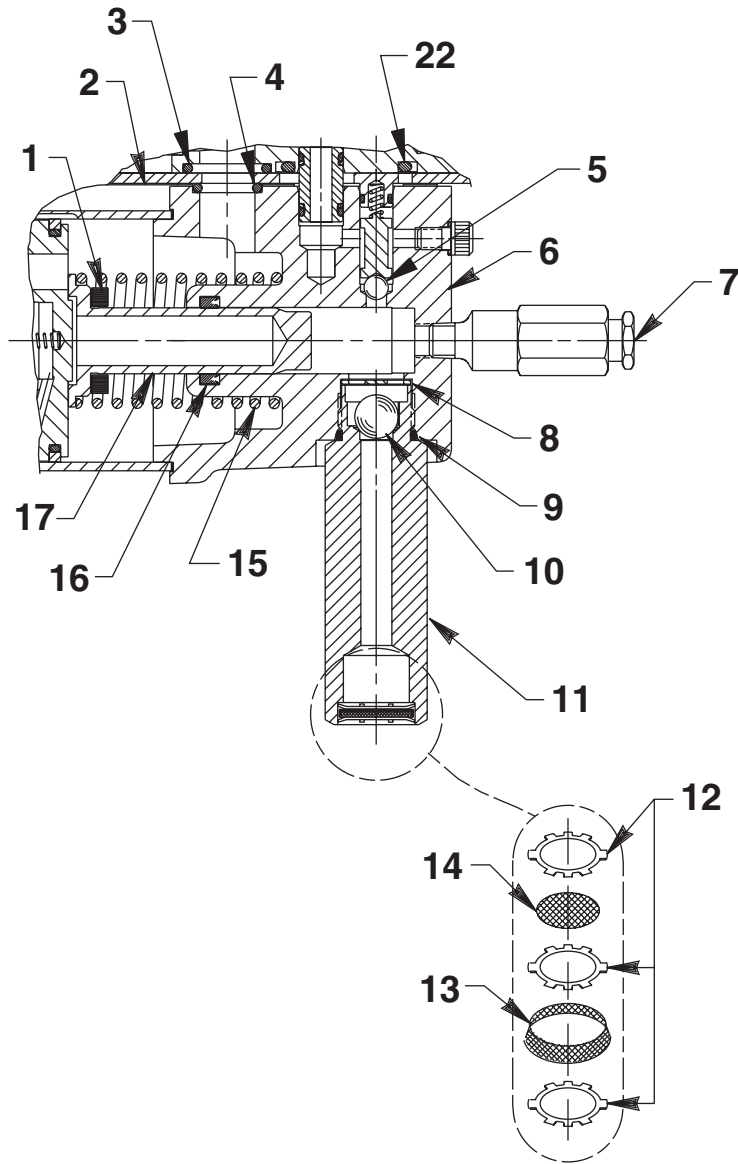
Item No.	Part No.	No. Req'd	Description	Item No.	Part No.	No. Req'd	Description
1	14726	2.2 Ft.	Tubing	29	64767	1	Pump Body
3	*†251835	4	O-ring (2-1/2" X 2-5/16 X 3/32; Nitrile)	30	*†10261	1	Copper Washer (3/4 X 19/32 X 1/32)
4	16453	2	Screw (#10-24 UNC X 4" Lg.; Note: Apply Loctite No. 277 to external threads.)	31	48008	1	Filter Adapter (Torque to 35/40 ft. lbs. oiled)
5	16450	2	Steel Washer (For 1/4 Bolt)	32	42382PU2	1	Front Panel
6	28387	2	Muffler	33	61165	1	Reservoir
7	*†28183	2	Piston Poppet	34	214578	1	Filter
8	305475	2	Exhaust Valve Stem	35	214586	3	Internal Retaining Ring
9	351122	2	Air Cylinder (Note: Locate groove on upper half (top) of pump with chamfered tube end towards rear head (as shown).)	36	*†10263	1	Copper Washer (1" X .765 X 1/32)
10	*†29992	2	Foam Tube	37	*14121	1	U-cup Packing (For 100200)
11	28400	1	Piston (For 100200)		†252373	1	U-cup Packing (For 100922)
	252372	1	Piston (For 100922)	38	17428	8	Soc. Hd. Cap Screw (1/4-20 UNC X 3-1/2" Lg.; Torque to 85/95 in. lbs.)
12	33959	1	Cylinder (Torque to 90/100 ft. lbs. oiled; For 100200)	39	*202624	1	Retainer (For 100200)
	421403	1	Cylinder (Torque to 90/100 ft. lbs. oiled; For 100922)		†252374	1	Retainer (For 100922)
13	10268	6	O-ring (1/2 X 3/8 X 1/16)	40	†11034	1	Retaining Ring (See Detail "C")
14	21094	3	Bushing	41	*†17429	4	Backup Ring
15	*†11863	6	Backup Washer (1/2 X 3/8 X 1/16)	42	*†13938	1	Spring (1.452 O.D. X 4-7/16" Lg.)
16	*†16448	1	Compression Spring (5/16 O.D. X 13/16 Lg.)	43	202613	1	Bumper (For 100200)
17	36497	2	Check Valve Retainer		252371	1	Bumper (For 100922)
18	*†10445	2	Compression Spring (5/32 O.D. X 3/4 Lg.)	44	211082	1	Spring Guide (For 100200)
19	*†12522	2	O-ring (3/8 X 1/4 X 1/16; Urethane)		252370	1	Spring Guide (For 100922)
20	*†10276	1	O-ring (1" X 3/4 X 1/8)	45	52390	2	Piston Body
21	65063WH2	1	Cover Plate	46	*†12692	2	Compression Spring (3/16 O.D. X 1-11/16" Lg.)
22	*†47409	1	Gasket	47	*†211052	2	O-ring (.900 X .706 X .097)
23	10002	2	Cap Screw (1/4-20 UNC X 3/8 Lg.; Torque to 90/110 in. lbs.)	48	*†28239	2	Gasket
24	*†10442	2	Washer (3/8 X 1/4 X 1/32)	49	*†14265	4	Piston Ring
25	202568	2	Ball Guide	50	421211PU2	1	Back Panel
26	*†10423	2	Steel Ball (Seat at assembly)	51	211054	6	Screw (#10-24 X 1/2 Lg.)
27	21278-48	1	Relief Valve (Set at 4,900/5,300 PSI; Apply loctite 592 [Power Team #905516] or equiv. & torque to 150/170 in. lbs.)	52	*†10241	6	Lockwasher (For #10 bolt)
28	15426	1	Pipe Nipple	53	33822	2	Piston End Plate
				54	*†205674	2	Screw (8-32 UNC X 3/8 Lg.; Torque to 12/18 in. lbs.)
				55	*†205679	2	Compression Spring (.485 O.D. X .915 Lg.)
				56	37468	2	Rear Head
				57	*†216296	2	Filter Disc
				58	†11841	1	O-ring (1.62 x 1.37 Nitrile)

Part numbers marked with an asterisk (\*) are contained in Repair Kit No. 300884 for pump #100200.

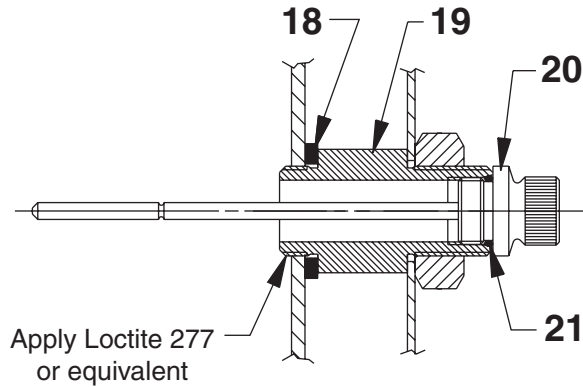
Part numbers marked with a dagger (†) are contained in Repair Kit No. 300937 for pump #100922.

Note: Shaded areas reflect last revision(s) made to this form.

**SECTION B-B**



**SECTION C-C**



Item No.	Part No.	No. Req'd	Description
1	<b>202566</b>	1	Bumper
2	*† <b>351021</b>	2	Gasket
3	*† <b>10276</b>	2	O-ring (1" X 3/4 X 1/8)
4	*† <b>10272</b>	2	O-ring (3/4 X 9/16 X 3/32)
5	*† <b>10423</b>	1	Steel Ball (9/32 Dia.)
6	<b>58746</b>	1	Pump Body
7	<b>21278-15</b>	1	Relief Valve (Set at 1,500/1,700 PSI; Apply loctite 592 [Power Team #905516] or equiv. & torque to 150/170 in. lbs.)
8	<b>202347</b>	1	Ball Stop
9	*† <b>10653</b>	1	O-ring (.949 X .755 X .097)
10	*† <b>10379</b>	1	Steel Ball (1/2 Dia.; Seat at assembly)
11	<b>48009</b>	1	Filter Adapter (Torque to 35/40 Ft. Lbs. oiled)
12	<b>214586</b>	3	Internal Retaining Ring
13	<b>214578</b>	1	Filter
14	<b>214595</b>	1	Filter Screen
15	<b>16584</b>	1	Compression Spring (1-5/8" O.D. X 4-1/2" Lg.)
16	*† <b>16585</b>	1	Packing
17	<b>305791</b>	1	Piston
18	<b>252041</b>	1	Sealing Washer
19	<b>351190</b>	1	Filter Assembly
20	<b>251934</b>	1	Dipstick Assembly
21	*† <b>10273</b>	1	O-ring (13/16 X 5/8 X 3/32)
22	† <b>11841</b>	1	O-ring (1.62 x 1.37 Nitrile)

Part numbers marked with an asterisk (\*) are contained in Repair Kit No. 300884 for pump #100200.  
Part numbers marked with a dagger (†) are contained in Repair Kit No. 300937 for pump #100922.

Note: Shaded areas reflect last revision(s) made to this form.