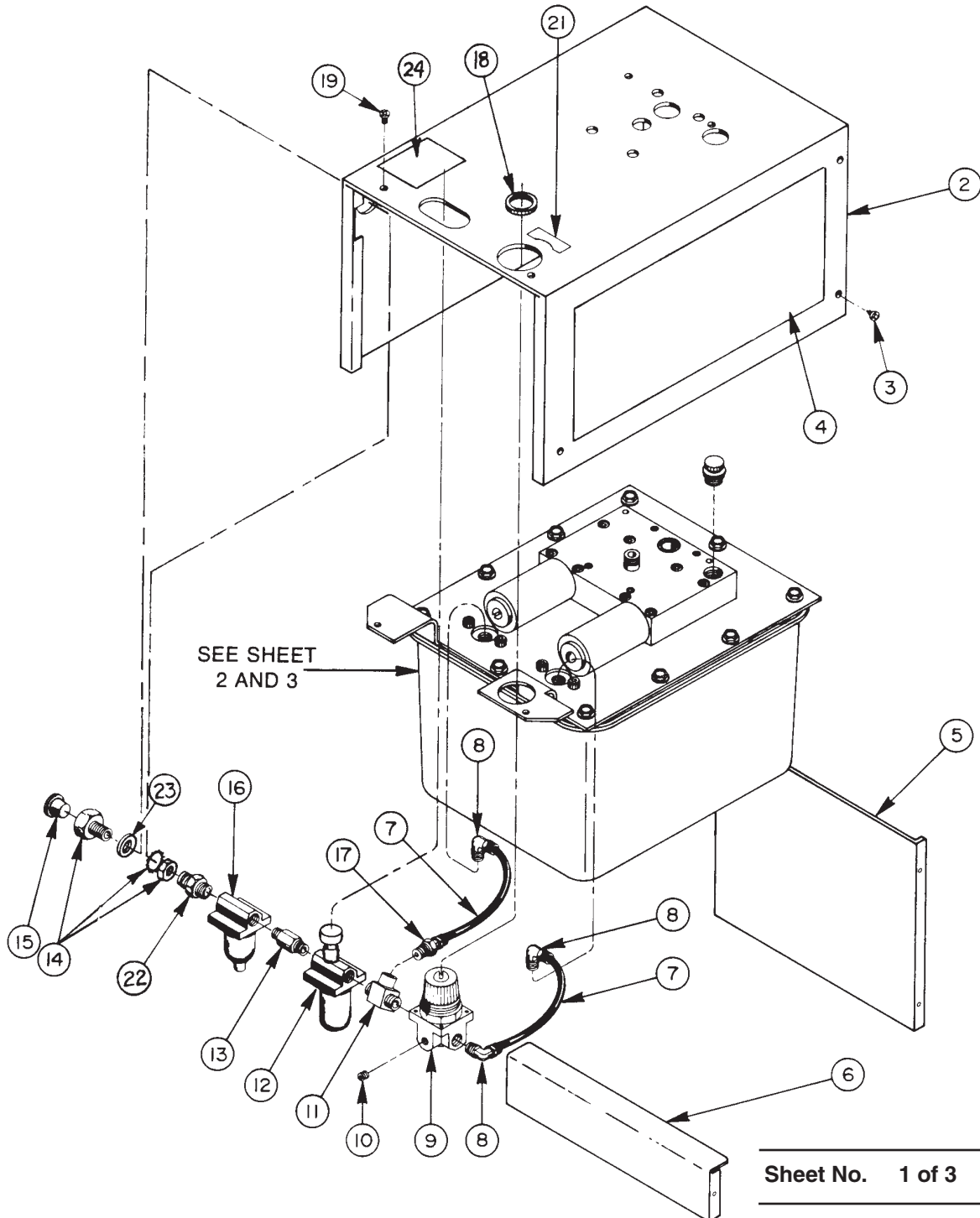


MODEL D TANDEM - TWO STAGE AIR HYDRAULIC PUMP Max. Capacity: 3,900 PSI



Parts List, Form No. 100609, Back sheet 1 of 3

Item No.	Part No.	No. Req'd	Description
2	60338WH2	1	Top Cover
3	14394	6	Self-tapping Screw (10-16 X 3/8 Lg.)
4	309386	2	Decal (Trade Name)
5	42382PU2	1	Front Panel
6	43481PU2	1	Back Panel
7	14726	2.2 ft.	1/4" Plastic Tubing
8	15457	3	Elbow
9	16492	1	Mini Air Regulator
10	10427	1	Plug
11	16495	1	Steel Tee
12	15009	1	Air Lubricator (Replacement bowl only - #206264; For Wilkerson model #251076; For Norgren model)
13	15024	1	Close Nipple
14	216671	1	Fitting
15	13270	1	Plastic Plug
16	15010	1	Air Filter (Replacement bowl only - #206265; For Wilkerson model #251082; For Norgren model)
17	250718	1	Connector Fitting
18	16614	1	Mounting Ring
19	14126	4	Thread Forming Screw
21	202076	1	Decal (Increase-Decrease)
22	16494	1	Hex Nipple
23	12330	1	Washer
24	350492	1	Important Decal

PARTS INCLUDED BUT NOT SHOWN

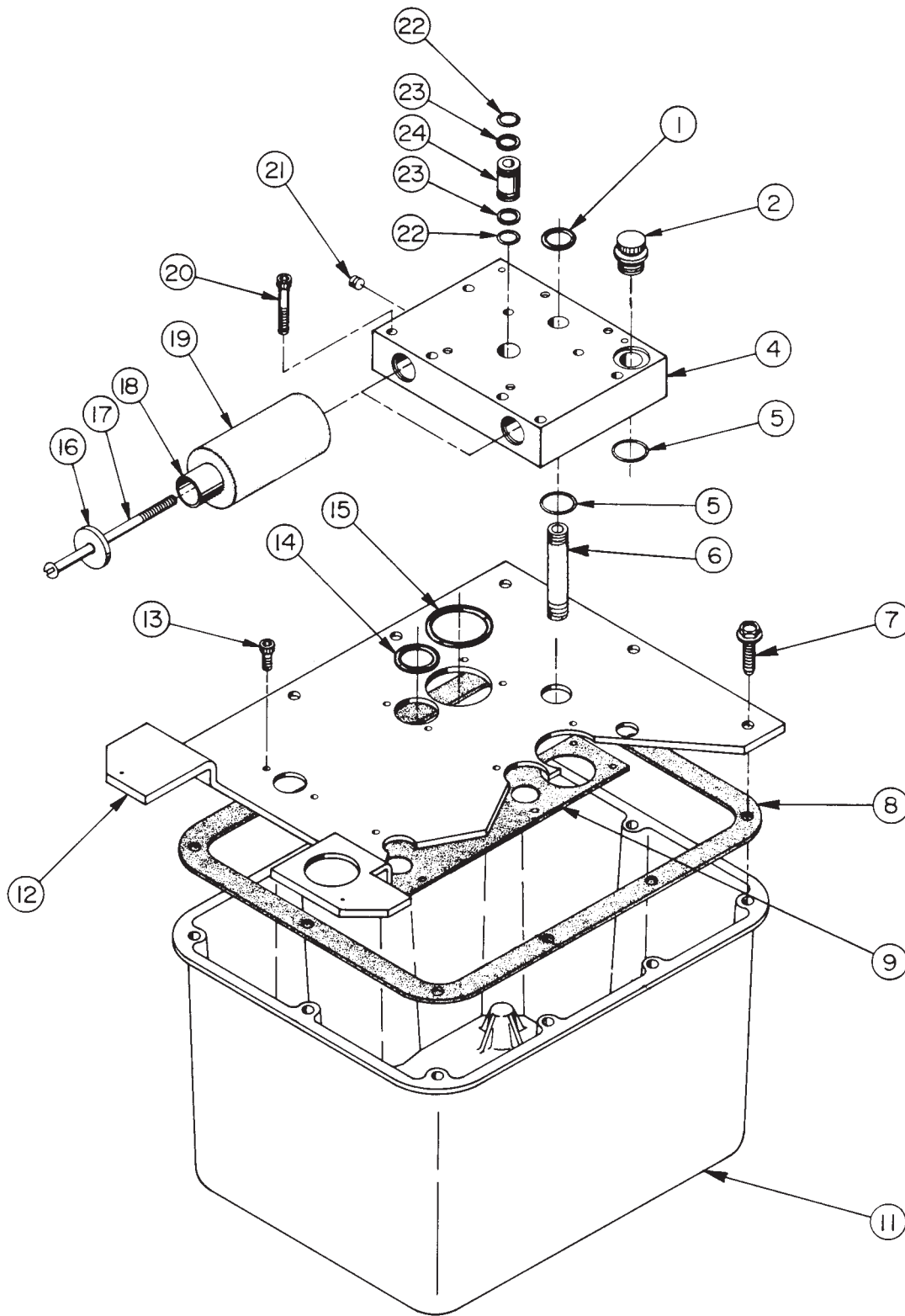
9614	1	Manifold Ass'y (See Form No. 100604)
10645	1	45° Elbow Fitting
100236	1	Pressure Gauge

Refer to any operating instructions included with this product for detailed information about operation, testing, disassembly, reassembly, and preventive maintenance.

Items found in this parts list have been carefully tested and selected. **Therefore: Use only genuine Power Team replacement parts!**

Additional questions can be directed to our Technical Services Department.

BASIC PUMP UNIT- ABOVE COVER PLATE

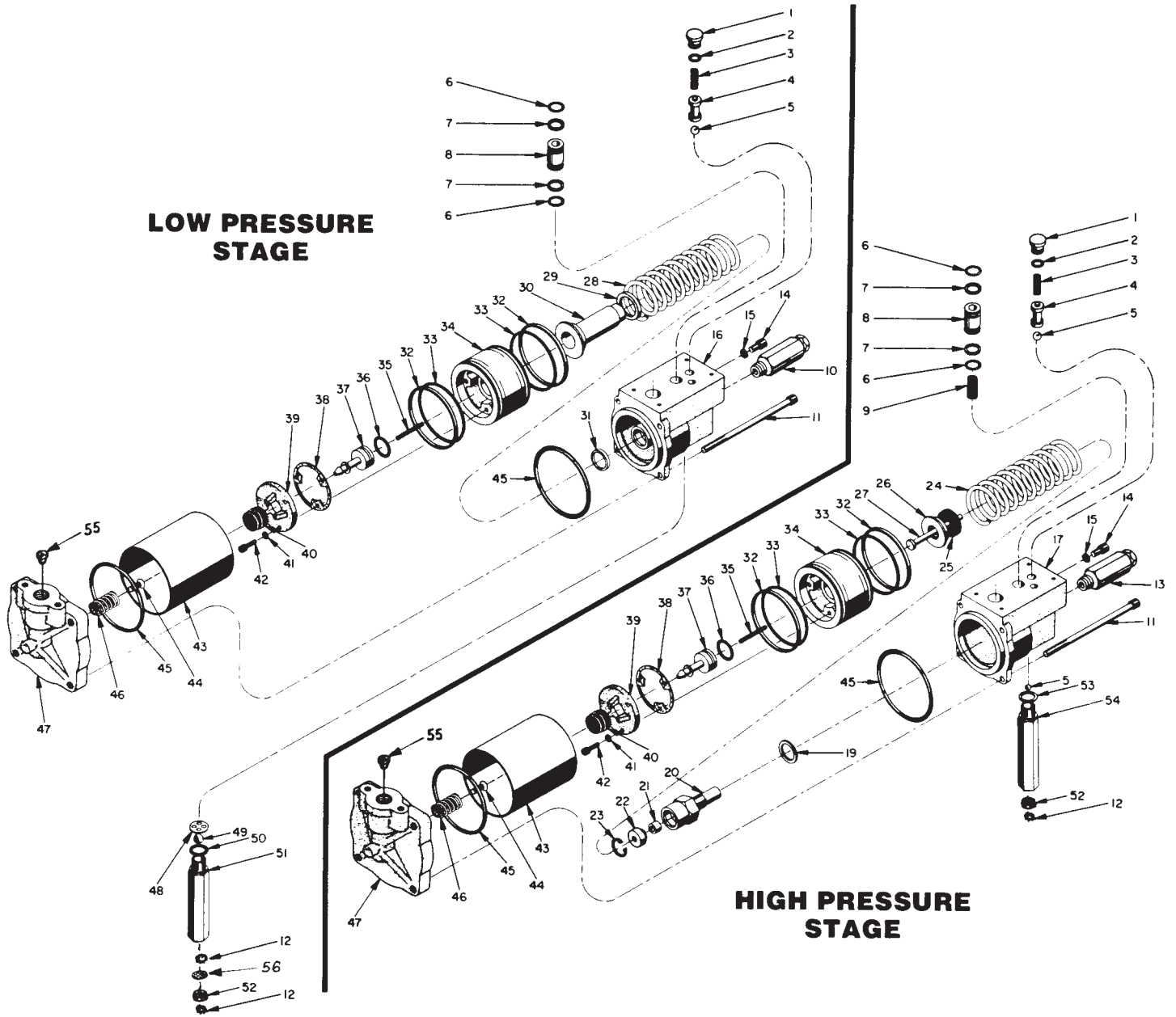


Parts List, Form No. 100609, Back sheet 2 of 3

Item No.	Part No.	No. Req'd	Description
1	*10274	1	O-ring (7/8 X 11/16 X 3/32)
2	24132S	1	Cap & Gasket Ass'y
4	60336	1	Port Block
5	*10304	2	O-ring (1" X 7/8 X 1/16)
6	15426	1	Straight Fitting
7	209799	14	Self-tapping Cap Screw (1/4-10 X 7/8 Lg.; Torque to 35/45 in. lbs.; Four used for Mtg.)
8	*47409	1	Cover Plate Gasket
9	*34283	2	Gasket
11	61165	1	Reservoir
12	50903WH2	1	Cover Plate
13	11434	4	Cap Screw (10-24 UNC X 1/2 Lg.; Torque to 50/60 in. lbs.)
14	*251214	2	O-ring (1.002 X .720 X .141)
15	*251215	2	O-ring (1.494 X 1.212 X .141)
16	16450	2	Steel Washer
17	16453	2	Rd. Hd. Screw (#10-24 UNC X 4" Lg. Apply Loctite 277 or equivalent to external threads.)
18	28387	2	Muffler
19	*29992	2	Foam Tube
20	11151	8	Cap Screw (10-24 UNC X 1-1/4" Lg.; Torque to 50/60 in. lbs.)
21	10427	1	Plug
22	*10268	2	O-ring (1/2 X 3/8 X 1/16)
23	*11863	2	Backup Washer
24	21094	1	Bushing

Part numbers marked with an asterisk (*) are contained in Repair Kit No. 300446.

BASIC PUMP UNIT- BELOW COVERPLATE



Parts List, Form No. 100609, Back sheet 3 of 3

Item No.	Part No.	No. Req'd	Description	Item No.	Part No.	No. Req'd	Description
1	36497	2	Check Valve Body	28	*16584	1	Compression Spring (1-5/8" O.D. X 4-1/2" Lg.)
2	*12522	2	O-ring (3/8 X 1/4 X 1/16)	29	*202566	1	Bumper
3	*10445	2	Compression Spring (5/32 O.D. X 3/4 Lg.)	30	305791	1	Piston
4	202568	2	Ball Guide	31	*16585	1	U-cup
5	*10423	3	Steel Ball (9/32 Dia.)	32	*14265	4	Piston Ring
6	*10268	4	O-ring (1/2 X 3/8 X 1/16)	33	*251835	4	O-ring (2-1/2" X 2-5/16" X 3/32)
7	*11863	4	Backup Washer (1/2 X 3/8 X 1/16)	34	52390	2	Piston Body
8	21094	2	Bushing	35	*12692	2	Spring
9	*16448	1	Compression Spring (5/16 O.D. X 13/16 Lg.)	36	*211052	2	O-ring (.900 X .706 X .097)
10	21278-15	1	Relief Valve Ass'y (Set at 1600 PSI)	37	305475	2	Exhaust Valve Stem
11	17428	8	Cap Screw (1/4-20 UNC X 3-1/2" Lg.; Torque to 85/95 in. lbs. oiled. NOTE: Cross torque in increments of 30 in. lbs.)	38	*28239	2	Gasket
12	214586	3	Retaining Ring (Internal)	39	33822	2	Piston End Plate
13	21278-50	1	Relief Valve Assembly (Set at 5,100/5,700 PSI)	40	*28183	2	Piston Poppet
14	10002	2	Cap Screw (1/4-20 UNC X 3/8 Lg.; Torque to 90/110 in. lbs.)	41	10241	6	Lockwasher
15	*10442	2	Copper Washer (3/8 X 1/4 X 1/32)	42	211054	6	Cap Screw (#10-24 X 1/2 Lg.; Torque to 50/55 in. lbs.)
16	50916	1	Pump Body	43	37434	2	Air Cylinder (Locate groove on upper half of pump.)
17	50494	1	Pump Body	44	*205674	2	Machine Screw (8-32 UNC X 3/8 Lg.; Torque to 12/18 in. lbs.)
19	*10263	1	Copper Washer (1" X .765 X 1/32)	45	*17429	4	Backup Ring
20	33959	1	Cylinder (Torque to 90/100 ft. lbs.)	46	*205679	2	Spring
21	*253095	1	U-cup	47	37468	2	Rear Head
22	202624	1	Retainer	48	*202347	1	Ball Stop
23	*11034	1	Retaining Ring (NOTE: Install retaining ring with sharp edge toward retained part)	49	*10379	1	Steel Ball (1/2 Dia.)
24	*13938	1	Compression Spring (1.452 O.D. X 4-7/16" Lg.)	50	*10653	1	O-ring (.949 X .755 X .097)
25	*202613	1	Bumper	51	48009	1	Intake Extension (Torque to 35/40 ft. lbs. oiled)
26	211082	1	Spring Guide	52	214578	2	Filter
27	28400	1	Piston	53	*10261	1	Copper Washer (3/4 X 19/32 X 1/32)
				54	48008	1	Intake Extension (Torque to 35/40 ft. lbs. oiled.)
				55	*216296	2	Filter Disc
				56	214595	1	Screen

Part numbers marked with an asterisk (*) are contained in Repair Kit No. 300446.

Note: Shaded areas reflect last revision(s) made to this form.