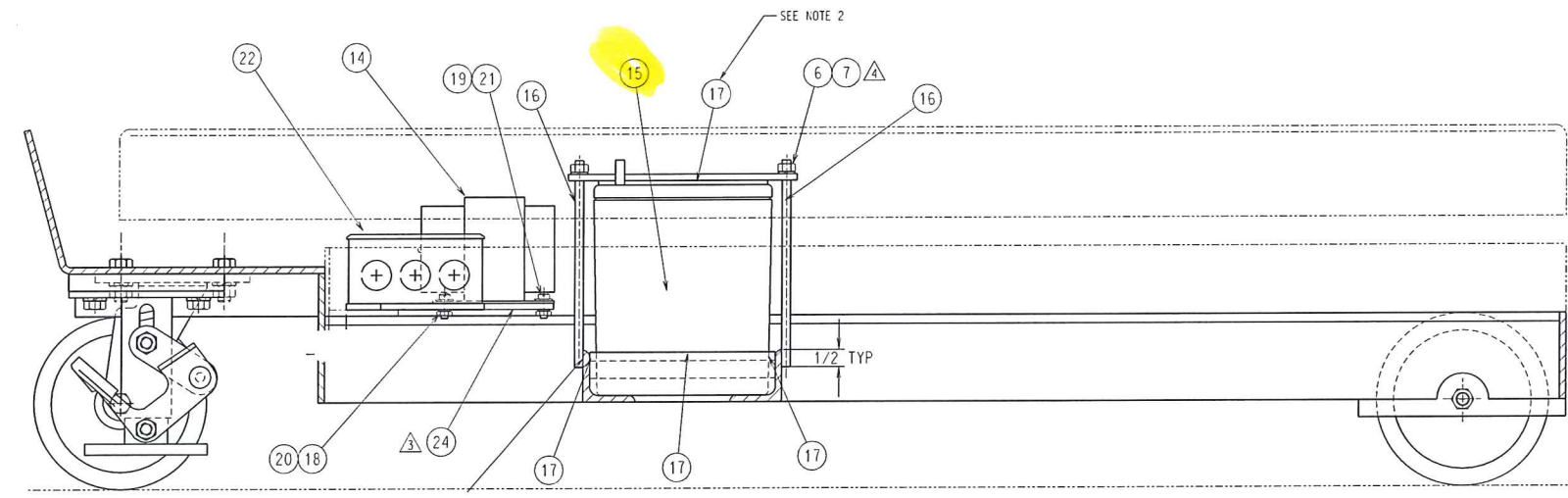
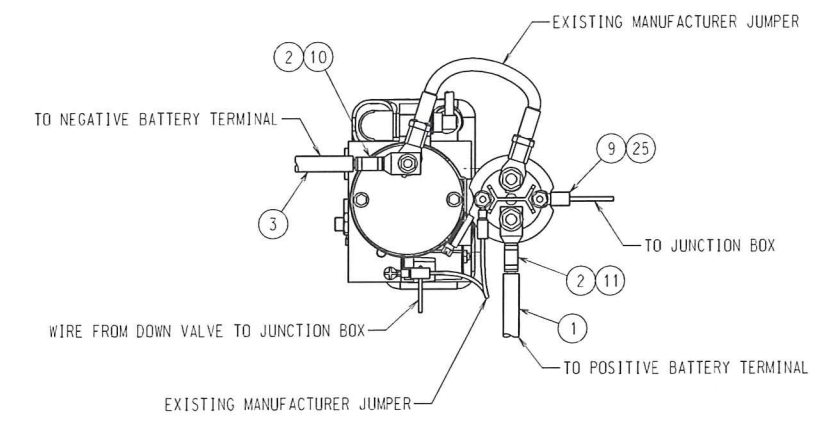


NOTES:



SECTION A-A



POWER UNIT WIRING DETAIL

 3RD ANGLE PROJECTION UNLESS OTHERWISE SPECIFIED, DIM ARE IN INCHES USE OF PROPRIETARY INFORMATION LIMITED TO WRITTEN AGREEMENT	FRACTIONS 41/ .XXX ±.005 .XX ±.01 ANGLES ±.5°		ITEM QTY DESCRIPTION CL11-26 CL105-26		PART NO. DATE PD 9-2-99 DJK 9-10-99	
	SOUTHORTH Southworth Products Corp. P.O. Box 1380 Portland, Maine 04104-1380			REFERENCE CL11-26 CL105-26		CAGE CODE 06328 SCALE 3/8 D 3064115 SIZE Dwg. No. SHEET 1 OF 1