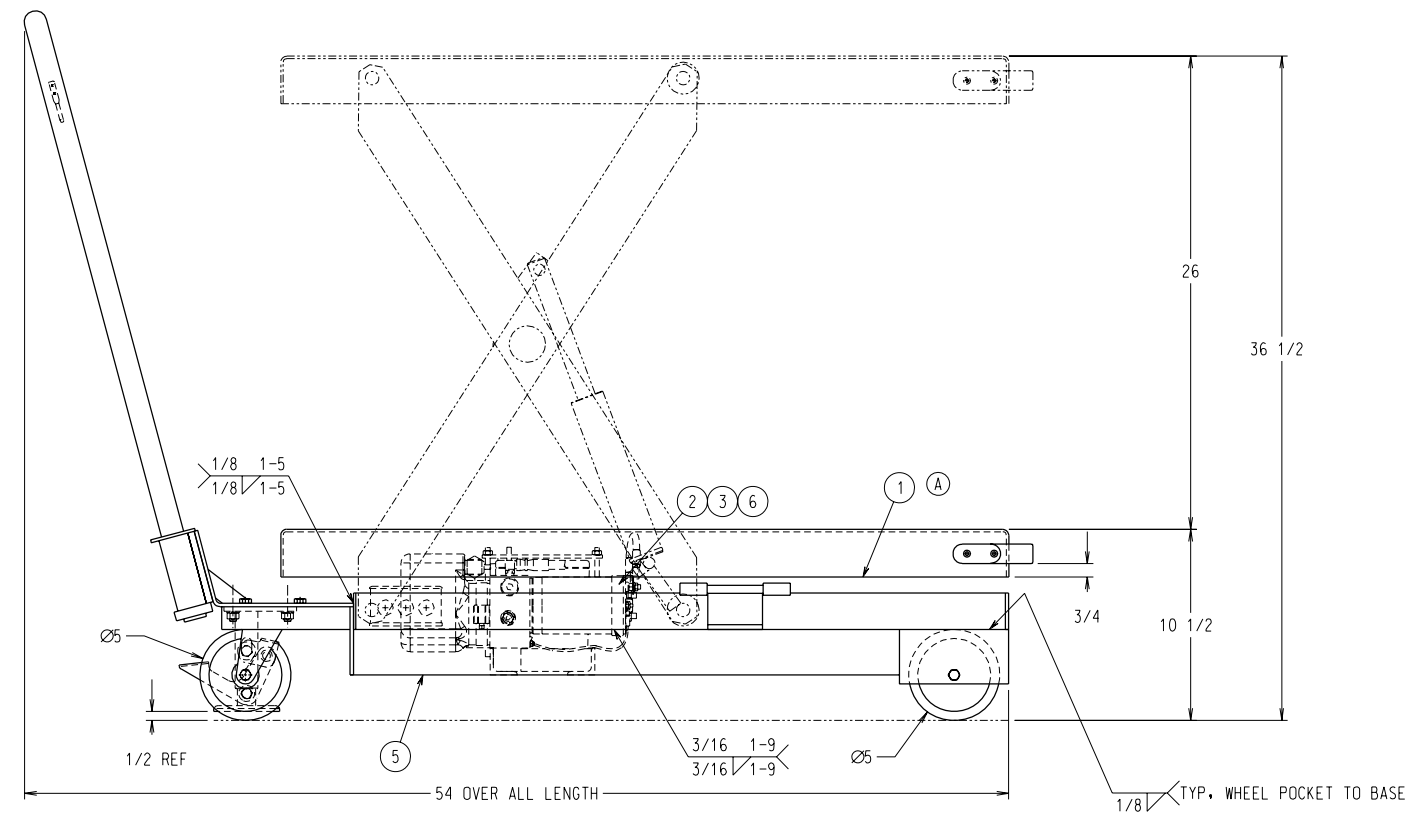
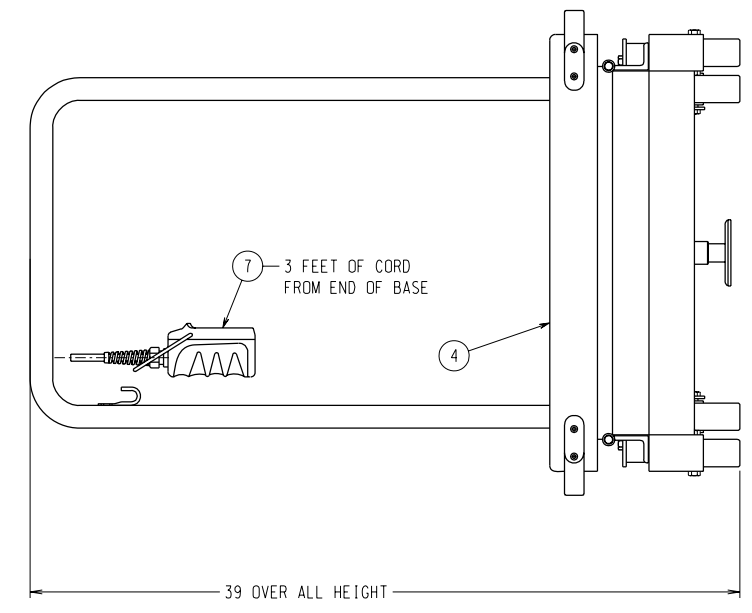
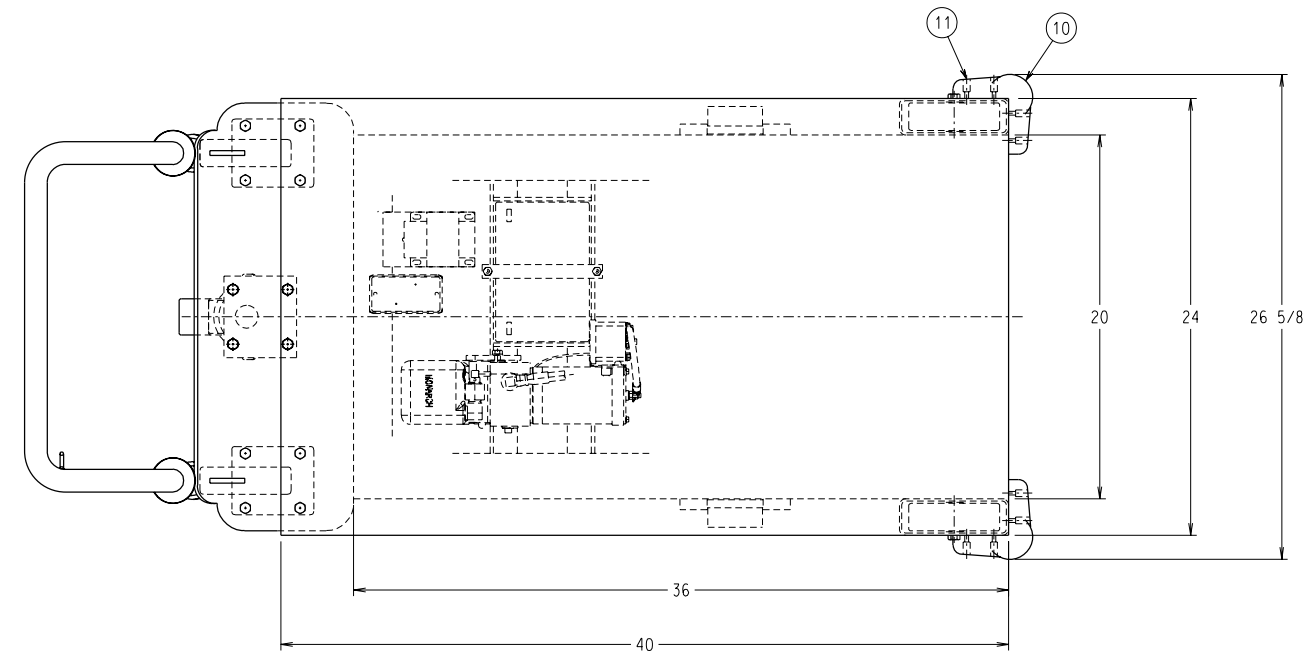


REV	REVISION HISTORY - DESCRIPTION	DATE	APPROVED	MF. NO.
A	ITEM 1 WAS 60021259; QTY WAS 1	05-17-07	NSH	30545



GENERAL DESCRIPTION

MODEL:CLL1.1-26
 CAPACITY:1100 LBS. UNIFORM LOAD
 PLATFORM:24 X 40 STRAIGHT SKIRT
 BASE FRAME:20 X 36 W/SIDE MOUNTED CASTERS
 LOWERED HEIGHT:10 1/2
 RISE:26 IN. @ 14 SECONDS WITH FULL LOAD
 26 IN. @ 10 SECONDS WITH NO LOAD
 ELEVATED HEIGHT:36 1/2
 POWER:12VDC
 CONTROLS:12VDC PUSHBUTTON
 BATTERY INCLUDED WITH ONBOARD CHARGER
 FINISH:TWO (2) COATS RED & BEIGE MACHINERY ENAMEL

ITEM	QTY	DESCRIPTION	PART NO.
11	8.0	EA HA SCREW PHST ZNSTL/AL #10X.75 TYPE AB	A 10002647
10	2.0	EA HA BMPR JARVIS B-10	A 10001127
9		REF HY PLUMBING SCHEMATIC	A 3007039
8		REF EL WIRING DIAG 12 DC BTRY	C 3061935
7	1.0	EA EL PB HHLED N4X	B 3003856
6	1.0	EA EL ARR CLL1-26	D 3064115
5	1.0	EA BA WM CLL1.1-26 22.00X44.75	D 60023563
4	1.0	EA TP PF LIFT 24.00X40.00 STR CLL1.1-26	D 3064112
3	1.0	EA HY PU I MONARC M-259-0132 .13UGAL	D 60022430
2	1.0	EA HY ARR I CLL1.1-26 12VDC 20W	D 60023566
1	1.0	EA BA SUB ASSY LS1-26 20.00X36.00	D 60025608

3RD ANGLE PROJECTION
 UNLESS OTHERWISE SPECIFIED, DIM ARE IN INCHES
 USE OF PROPRIETARY INFORMATION LIMITED TO WRITTEN AGREEMENT

FRACTIONS ±1/8
 .XXX ±.005
 .XX ±.01
 ANGLES ±.5°

SOUTHWORTH
 Southworth Products Corp.
 P.O. Box 1380
 Portland, Maine 04104-1380

DR JMS DATE 6-30-06
 CK RPL DATE 2-07-08

REFERENCE D-4420284 CAGE CODE 06328 WT SCALE 3/16 MFG DATE

CLL1.1-26 MODEL TITLE TL CLL1.1-26 24.00X40.00 12D1 PB D 4429964 SIZE Dwg No. SHEET 1 OF 1 A REV

THIS DRAWING MUST BE AT REVISION: 'A'