

# Operators Manual

# CRAFTSMAN<sup>®</sup>

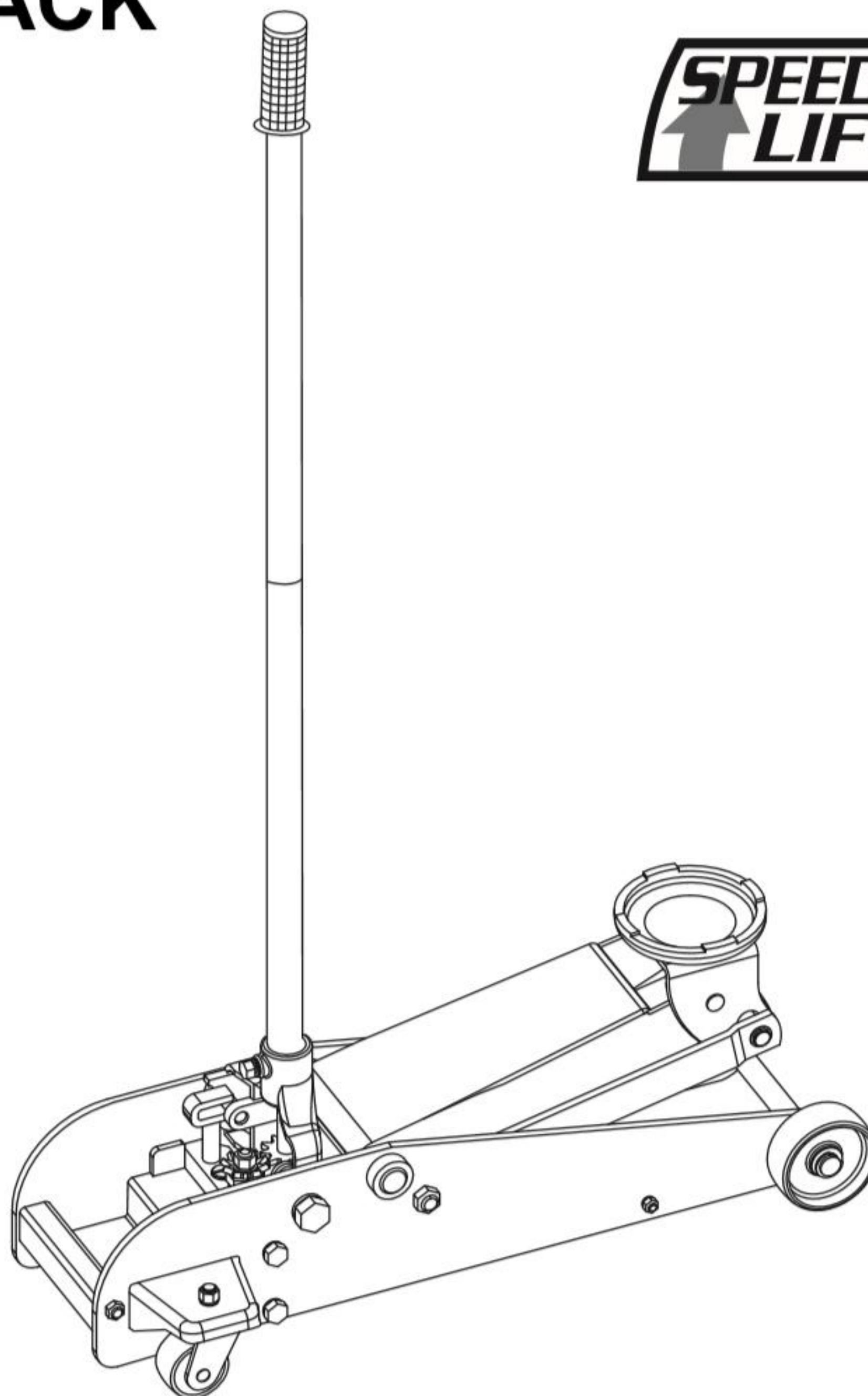
## P R O F E S S I O N A L

# 3-1/2 TON CAPACITY FLOOR JACK

Model No. 50145



- **Safety**
- **Assembly**
- **Operation**
- **Maintenance**
- **Parts**



**CAUTION:** Before using this product, read this manual and follow all its Safety Rules and Operating instructions.

Sears, Roebuck and Co., Hoffman Estates, IL 60179  
Visit our Craftsman website: [www.sears.com/craftsman](http://www.sears.com/craftsman)

Printed in China

## TABLE OF CONTENTS

Warranty	.....P. 2
Save these instructions	.....P. 2
Safety instructions	.....P. 3
Assembly	.....P. 3
Operation	.....P. 4
Maintenance	.....P. 5
Troubleshooting	.....P. 6
Parts	.....P. 6
Service	.....Back cover

## WARRANTY

### ONE YEAR FULL WARRANTY ON CRAFTSMAN PROFESSIONAL FLOOR JACK

If this Craftsman Professional floor jack fails to give complete satisfaction within one year from date of purchase, RETURN IT TO THE NEAREST SEARS STORE OR SEARS PARTS & REPAIR CENTER IN THE UNITED STATES, and Sears will repair it, free of charge.

This warranty gives you specific legal rights, and you may also have other rights which vary from state to state.

Sears, Roebuck and Co., Dept 817WA, Hoffman Estates, IL 60179

## SAVE THESE INSTRUCTIONS

For your safety, read, understand, and follow the information provided with and on this jack.

- The owner and operator of this equipment shall have an understanding of this jack and safe operating procedures before attempting to use. The owner and operator shall be aware that use and repair of this product may require special skills and knowledge. Instructions and safety information shall be conveyed in the operator's native language before use of this jack is authorized. If any doubt exists as to the safe and proper use of this jack, remove from service immediately.
- Inspect before each use. Do not use if broken, bent, cracked, or damaged parts (including labels) are noted. Any jack that appears damaged in any way, operates abnormally or is missing parts, shall be removed from service immediately.
- If the jack has been or suspected to have been subjected to a shock load (a load dropped suddenly, unexpectedly upon it), immediately discontinue use until jack has been checked by a Sears or other qualified service center. It is recommended that an annual inspection be done by qualified personnel.
- Labels and Owner's Manuals are available from Sears (see PARTS section on page 6).



# SAFETY INSTRUCTIONS

## ⚠ WARNING

- Study, understand, and follow all instructions with and on this device before operating this device.
- Do not exceed rated capacity.
- Use only on hard, level surfaces capable of sustaining rated capacity loads.
- Lift only on areas of the vehicle as specified by the vehicle manufacturer.
- This is a lifting device only. Immediately after lifting, support the vehicle with appropriately rated vehicle stands.
- Never work on, under, or around a load supported only by this device.
- Do not move or dolly the vehicle while on the jack.
- No alterations shall be made to this product.
- Only attachments and/or adapters supplied by the manufacturer shall be used.
- Failure to heed product markings or warnings may result in personal injury or property damage.

## CAUTION BEFORE USING

Occasionally during shipment and/or handling the hydraulic oil can become

unstable or air can get trapped in the system, both of which can interfere with the jacks lifting performance.

- To stabilize the oil it is recommended to cycle the jack a few times prior to putting a load on it.
- To release air from the hydraulic system:
  - Open the release valve by turning the jack handle counterclockwise, but never by more than 1/2 full turn at a time.
  - Remove the oil filler plug from the cylinder. (see Fig. 4)
  - Rapidly pump jack handle through several full strokes.
  - Reinstall the oil filler plug into the cylinder again and jack is now ready to use.

## BEFORE EACH USE

Make a visual inspection before each use of the floor jack by checking for abnormal conditions, such as cracked welds, leaks and damaged, loose, or missing parts.

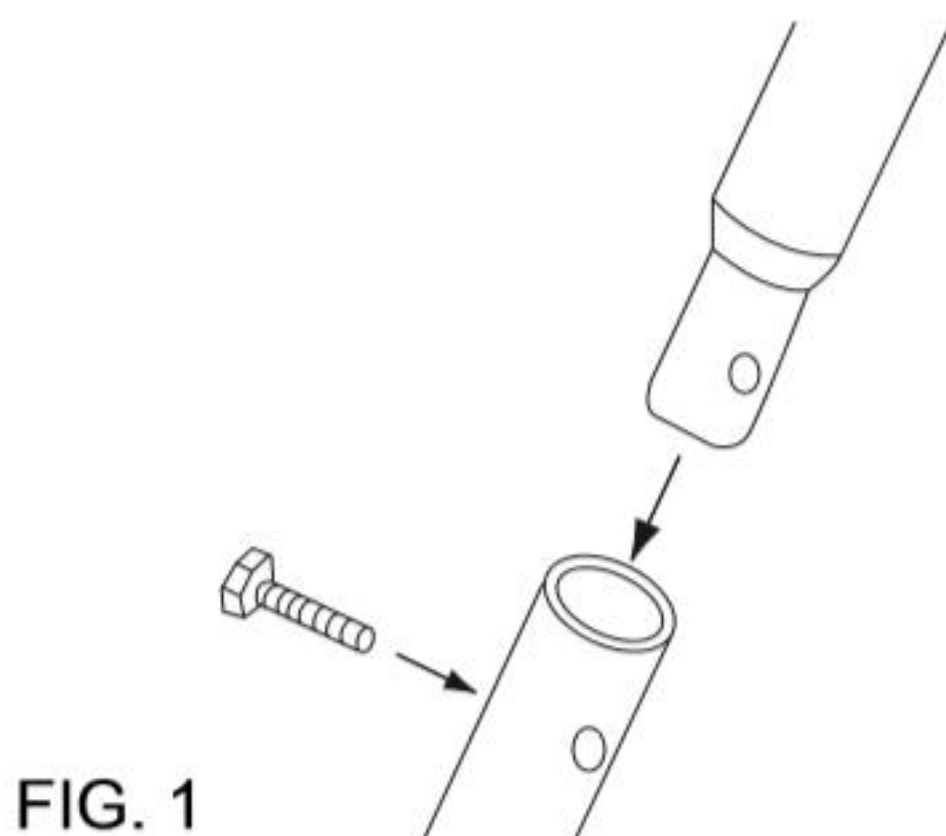
## DAMAGE TO JACK

If you think jack has been subjected to an abnormal load or shock, have it inspected for damage at a Sears Service Center before using it again.

# ASSEMBLY

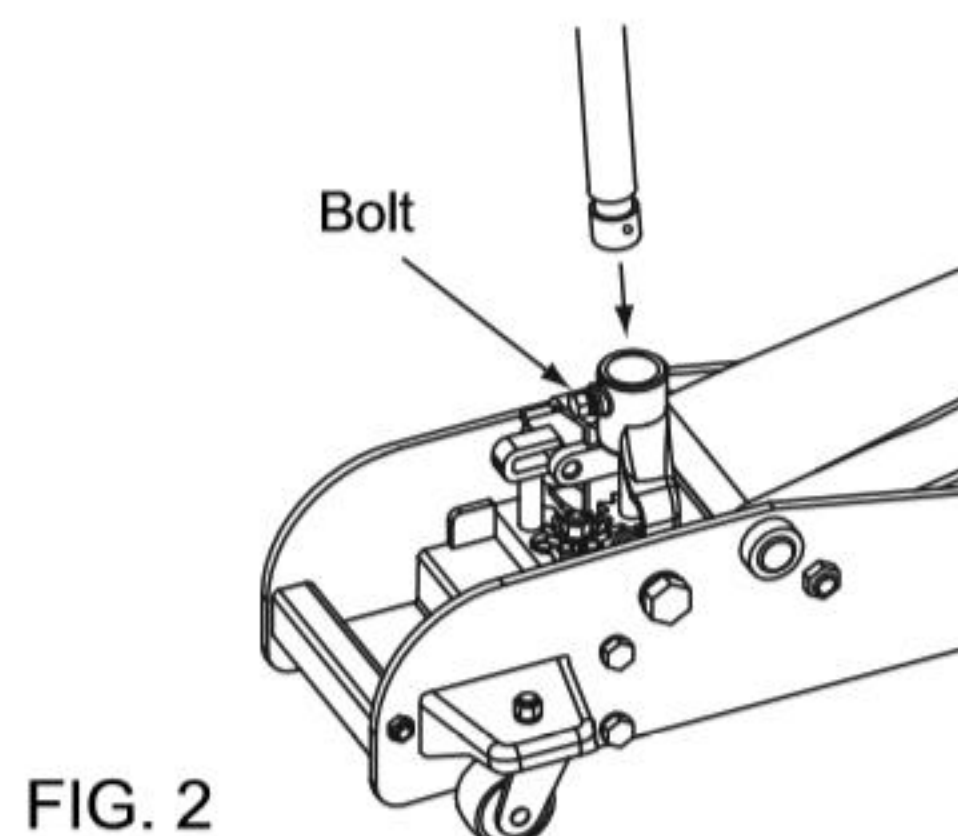
## TO ASSEMBLE THE TWO PIECE HANDLE

1. Screw out the bolt which located in either piece of handle (see fig. 1).
2. Connect the two handle pieces together by insertion with the drilled hole on the end of both pieces are coincide.
3. Screw up and tighten the bolt.



## TO ASSEMBLE THE HANDLE INTO THE SOCKET

1. Insert the handle into the socket. (see fig. 2)
2. Slowly turn the handle until the pin attached inside the handle is entirely engaged in the slot on the release valve.
3. Tighten the screw on the socket.





# OPERATION

## KNOW YOUR JACK

Compare Fig. 3 illustration with your jack BEFORE operation to become familiar with the location of various jack components.

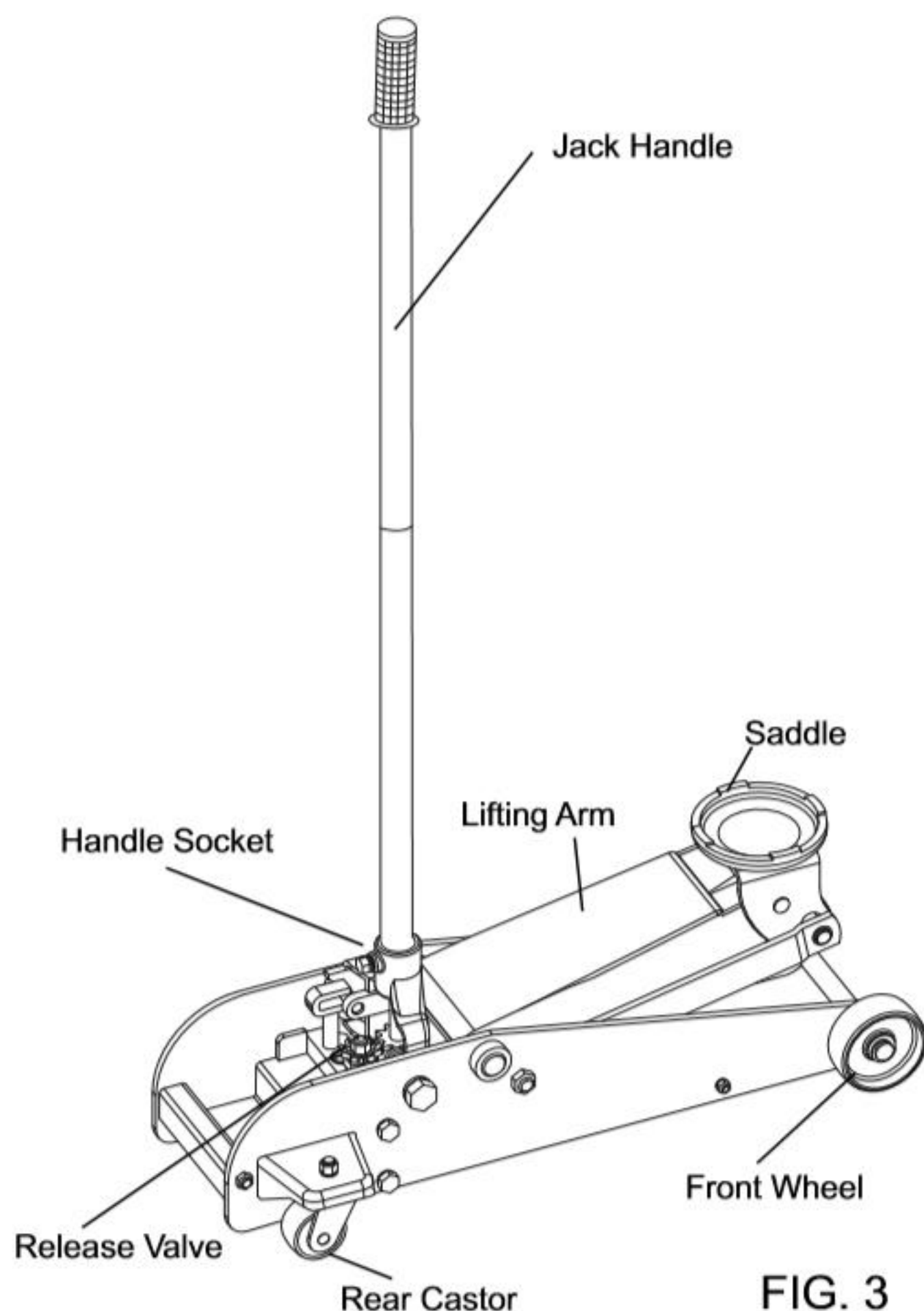


FIG. 3

## OPERATING PRINCIPLES

- With release valve closed, an upward stroke of the jack handle draws oil from the reservoir tank into the plunger cavity. Hydraulic pressure holds a valve closed, which keeps the oil in the plunger cavity.
- A downward stroke of the jack handle releases oil into the cylinder, which forces the ram out. This raises the saddle. (NOTE: To avoid damage to the

cylinder if the load exceeds the rated capacity of the jack, oil is automatically released back into the reservoir through the safety overload valve.)

- When the ram reaches maximum extension, oil is bypassed back into the reservoir to prevent an over-extended ram stroke and possible damage to the jack.
- Opening the release valve allows oil to flow back into the reservoir. This releases hydraulic pressure on the ram, which results in lowering the saddle.

## HOW TO USE YOUR JACK

### RAISING THE JACK

- Chock the vehicle wheels with appropriate devices to prevent vehicle from moving and to ensure lifting stability.
- Close the release valve by turning the jack handle clockwise until tight. (see Fig. 3)
- Refer to the vehicle manufacturer's owner's manual to locate approved lifting points on the vehicle. Position jack so that the saddle (see Fig. 3) is centered under the load at an appropriate lift point.
- Pump jack handle until saddle ALMOST contacts the vehicle. Check to see that the saddle is centered and will contact the load lifting point firmly.
- Continue to pump the jack handle to lift the vehicle to the desired height. After lifting, immediately support the load with appropriately rated vehicle support stands BEFORE working on the vehicle.

### LOWERING THE JACK

- SLOWLY open the release valve by turning the handle counterclockwise, but never more than 1/2 full turn at a time.

## SPECIFICATIONS

Rated Capacity: 3½ Ton/7000 Lbs

Jack Dimensions: 27-1/4" x 13-1/4" x 6-1/2"

Lifting Range: 5-3/4" ~ 20" (Approx.)

Oil Capacity: 150 c.c.

Net Weight: 82 lbs. (Approx.)



# MAINTENANCE

## MAINTAINING OIL LEVEL

Important: When adding or replacing oil, ALWAYS use a good grade Hydraulic Jack oil. DO NOT use Hydraulic Brake Fluid, Alcohol, Glycerine, Detergent, Motor Oil or dirty oil. Use of an improper fluid can cause serious internal damage to your jack. We recommend Mobil DTE13M or equivalent.

## ADDING OIL

- Position the jack on level ground and fully lower the saddle. (Ram will be all the way in). Remove oil filler plug located under tool tray (see Fig. 3 & 4).
- Oil should be filled to the level of about 3/16" above the inner cylinder as seen from the oil filler hole. If low, add oil as needed.
- Re-install oil filler plug and tool tray. The jack is now ready to use.

## LUBRICATION

- Add lubricating oil to all moving parts as needed.

## PREVENTING RUST

- Check ram and pump plunger (see Fig. 4) every few months for any signs of rust or corrosion. Clean as needed by wiping with an oily cloth.

- When not in use, ALWAYS store jack with saddle and pump plunger lowered all the way down.

## ANNUAL INSPECTION

To ensure that it is in optimum condition, annual inspection of the jack at a Sears Service Center is recommended.

## REPLACING OIL

- To drain oil, remove tool tray and oil filler plug and open release valve. Turn jack over and drain old oil out through the oil filler hole.

Note: Dispose of hydraulic oil in accordance with local regulations.

- Refill with new oil through the oil filler hole. DO NOT allow dirt or foreign material to enter the hydraulic system when filling.
- After refilling, remove any air from the hydraulic system by opening the release valve and rapidly pumping the jack handle several times.
- Re-install oil filler plug and tool tray and the jack is ready to use.

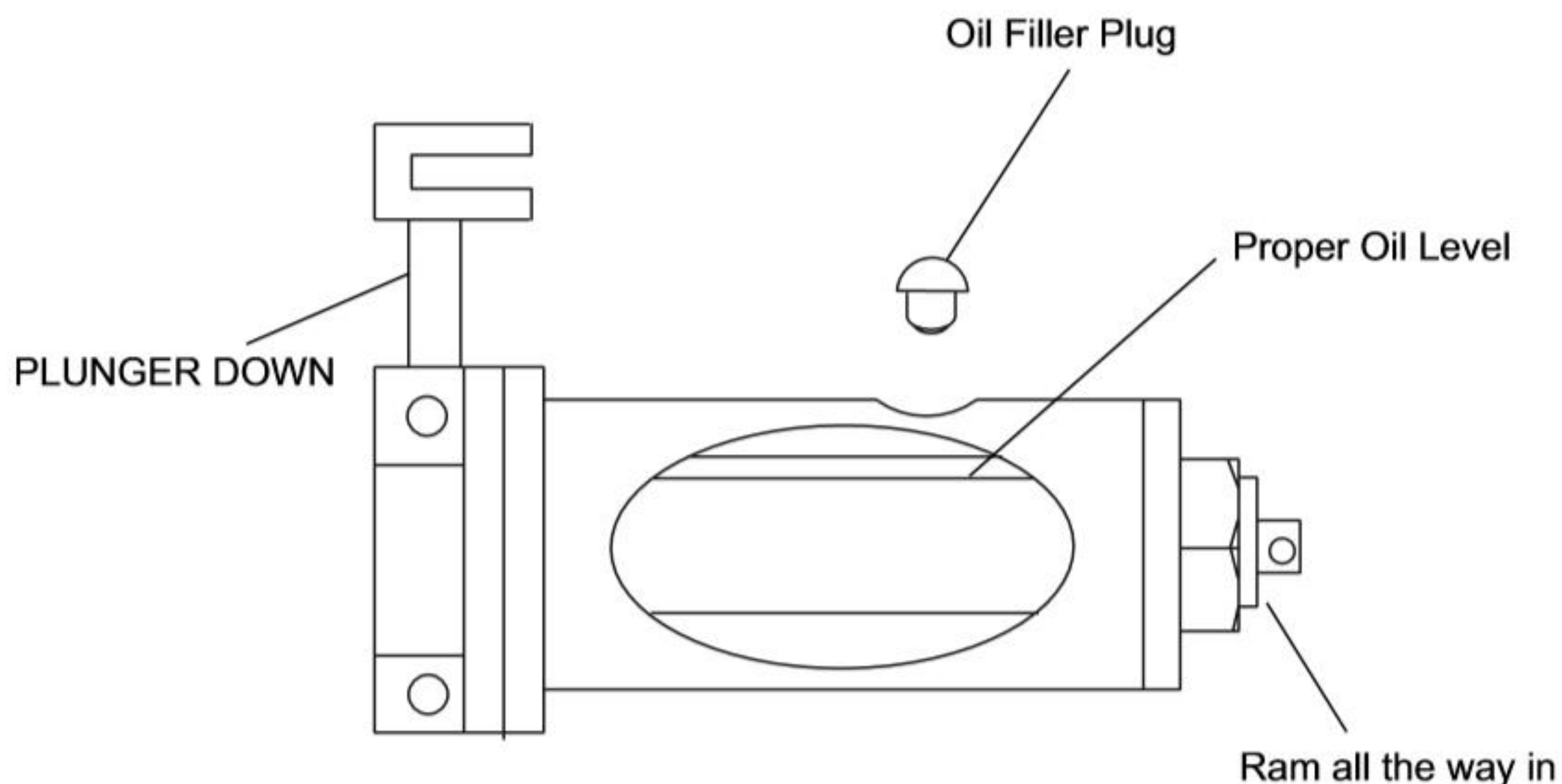


FIG. 4

# TROUBLESHOOTING

## PROBLEM-SOLVING HINTS

Symptom	Possible Causes	Corrective Action
Jack will not lift load	<ul style="list-style-type: none"> <li>• Release valve not tightly closed</li> <li>• Overloaded - too much weight on jack</li> </ul>	<ul style="list-style-type: none"> <li>• Ensure release valve is tightly closed</li> <li>• Reduce weight on jack</li> </ul>
Jack bleeds off (starts to lower) after lift	<ul style="list-style-type: none"> <li>• Release valve not tightly closed</li> <li>• Hydraulic unit malfunction</li> </ul>	<ul style="list-style-type: none"> <li>• Ensure release valve is tightly closed</li> <li>• Replace power unit assembly</li> </ul>
Jack will not lower after unloading	<ul style="list-style-type: none"> <li>• Oil reservoir overfilled</li> <li>• Linkages binding</li> </ul>	<ul style="list-style-type: none"> <li>• Drain fluid to proper level</li> <li>• Clean and lubricate moving parts</li> </ul>
Poor lift performance	<ul style="list-style-type: none"> <li>• Fluid level low</li> <li>• Air trapped in system</li> </ul>	<ul style="list-style-type: none"> <li>• Ensure proper fluid level</li> <li>• With ram fully retracted, open release valve, pump handle several times to expel trapped air</li> </ul>
Will not lift to full extension	<ul style="list-style-type: none"> <li>• Fluid level low</li> </ul>	<ul style="list-style-type: none"> <li>• Ensure proper fluid level</li> </ul>

## PARTS

### MODEL NUMBER: 50145

The Model Number and Serial Number are found on the lifting arm and handle socket respectively. Always mention the Model Number and Serial Number when requesting service or repair parts for your jack.

### PARTS ARE ONLY AVAILABLE IN ASSEMBLIES (except Saddle)

Key	Parts	Description
1	5955	Saddle
2	5954	Power unit assembly
3	5952	Jack handle assembly
4	5951	Front wheel assembly
5	5953	Jack handle gear assembly
6	5956	Rear wheel assembly
-	5957	Owners manual

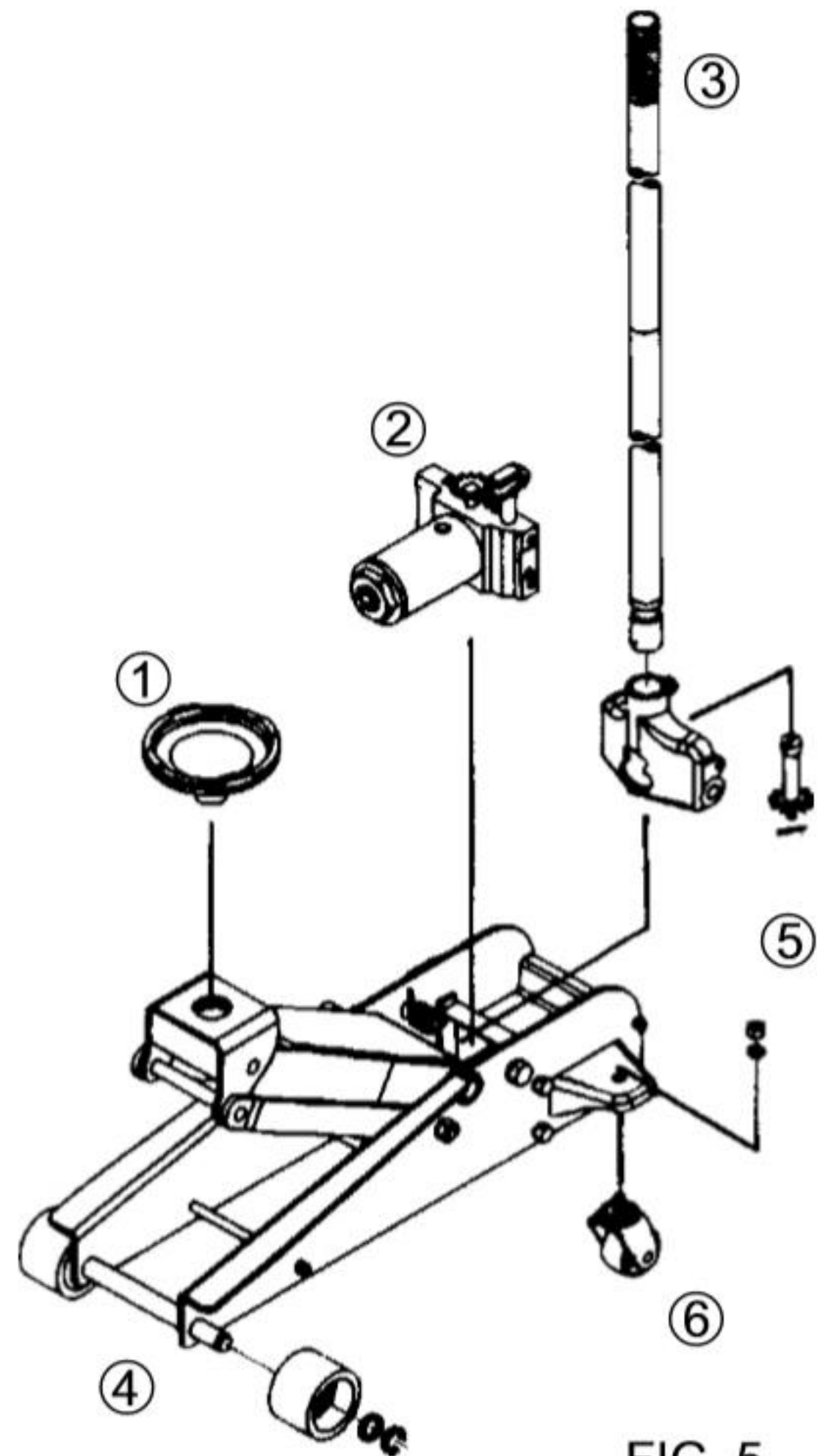


FIG. 5



