



David Round & Son, Inc.
Ruger Products Division
32405 Aurora Road
Cleveland, OH 44139
Phone: 440-248-4700
www.rugerequipment.com

For safety, one copy of this manual must be stored on the equipment and referred to by all operators.

RC1000S

SERIAL NUMBER

OPERATOR'S MANUAL

All operators must read, understand, and apply all safety instructions before operating this equipment.

**IMPROPER USE
OF THIS EQUIPMENT
CAN BE HAZARDOUS!**



Designers & Manufacturers of Hydraulic Load Lifting and Material Handling Equipment

Congratulations on your purchase of a standard design RC1000S Crane. You now own one of the most versatile cranes in the market. In order to ensure many years of safe and dependable service, please read this Operator's Manual before using the equipment. If you have any questions or need additional information, please contact us at:

Phone: 440-248-4700

Fax: 440-248-8544

www.rugerequipment.com

E-mail: info@davidround.com

Below is a list of standard accessories that you should have received with your RC1000S

- Operator's Manual
- Swivel Hook with Safety Latch
- Pump Handle



Contents

General Information	1
Receiving and Pre-operational Instructions	1
Receiving Procedure	2-3
Insert Sheets	4-5
Maintenance Instructions	6
Recommended Parts	7-9
Operational Steps	10
Jack Inspection Check List	11
Jack Service Instructions	12
Lubrication	13
Safety Tips for Using Ruger Cranes	14
Warranty Information	15-17

GENERAL INFORMATION

1. Please include the **Model and Serial Number when ordering parts**. This information is provided to you on the front cover of this manual. The Model and Serial Number can also be found on the Serial Number tag on the unit located on the mast section of the equipment.



2. Ruger Parts Department can be reached at **(440-248-4700)**, 9 AM to 5 PM EST. time, Monday through Friday except for holidays.

3. All parts are FOB Solon, OH. Terms are Net 30. Minimum order is \$50.00.

4. Quality at Ruger starts with raw materials which are inspected to insure our products will be of good quality and free from defects. Each product is tested completely and rechecked before shipment.

RECEIVING AND PRE-OPERATIONAL INSTRUCTIONS

Upon receipt of this unit, visually inspect for damage that may have occurred during shipment and report any damages to the carrier.

In accepting this shipment from Ruger Industries, Inc. the carrier has acknowledged receipt in good condition and complete as shown on the Packing List and/or Bill of Lading.

Ruger Industries responsibility for this shipment has now ceased. Any shortages or damage must now be resolved between the carrier and the receiver.

Ruger Industries will not be responsible for loss or damage when you give the transportation company a clear receipt.

Inspect this material before accepting. **DO NOT** accept when damage or shortages are visible unless the carrier makes a damage notation on your freight bill.

Look for and report concealed loss or damage to carrier with **48 hours** and request inspection by the carrier. This is absolutely necessary, otherwise, the transportation companies will not entertain any claim for loss or damage. If the carrier will not make an inspection, then you should make an affidavit that you notified him/her (on a certain date) and he/she failed to do so. This, with other papers, will properly support your claim.

Ruger Industries is willing to assist in every possible manner in collecting claims for loss or damage, but this willingness on Ruger's part does not include responsibility for collection of claims or assumption of cost of replacement of damaged or lost materials.

RECEIVING PROCEDURES

BEFORE ACCEPTING DELIVERY FROM THE CARRIER

In accepting this shipment, the carrier has acknowledged receipt in good condition and complete as shown on the Packing List and/or Bill of Lading.

RECEIVING INSPECTION CHECK LIST

- Check **wheels and casters** - they should turn freely and be free of dents, cracks and flat spots.
- Check **hoses, fittings and rams** for hydraulic leaks. Hydraulic leaks indicate loose or broken fittings, hoses etc. Hose and tubing should be free of kinks and buckles.
- Check **main frame components**, legs, forks, booms, handles and sheet metal for dents, cracks and misalignment.
- Check **wiring** to assure it is securely connected and in good condition.
- Check **batteries** for cracks, leaks. Check electrolyte level.
- Check **main structure bolts, nuts and pin retainers** for tightness.
- Check **chains and cables** for breaks or obstructions.
- After **visual inspection**, make operational test to assure unit is functioning properly.
- Is everything there?** Check packing list to be sure optional equipment is there. Make sure lifting chain is with crane. Be sure manual pump handle is there.
- Paint finish** - scratches and scrapes to painted surfaces incurred during shipment are accepted as necessary evil. Costs of protective crating to protect paint are so high that it's better to accept a few scrapes to the finish.

RETURNED GOODS AUTHORIZATION

RETURNED GOODS AUTHORIZATION number **must** be assigned by the Ruger customer service department for approved returns. This number **must** appear on all accompanying paperwork.

There will be a **Restocking Charge** for all returned purchases.
Customized units are **not returnable** and are **non-refundable**.

When calling for a **RETURNED GOODS AUTHORIZATION** number the following information must be supplied:

- 1) Invoice Number
- 2) Date of Invoice
- 3) Serial Number
- 4) Carrier Name
- 5) Return Ship Date
- 6) Reason for Return

**CREDIT WILL ONLY BE ISSUED AT THE TIME OF
RETURNED GOODS AT THE FACTORY**

Packing Slip must accompany all returns.

**RECEIVING DOCK DELIVERIES
MONDAY THROUGH FRIDAY
8:00 A.M. TO 4:00 P.M. EST
EXCEPT HOLIDAYS**



David Round & Son, Inc.
Ruger Products Division
32405 Aurora Road
Cleveland, OH 44139
Phone: 440-248-4700
www.rugerequipment.com

RELIABLE

VERSATILE

COMPACT

AFFORDABLE

RC1000S

- **1000 lb. Capacity**
- **Ideal for the automotive and truck markets**
- **Boom can be mounted at 5 different height positions**

ACCESSORIES

- **Barrel Grip**
- **Floor Lock**
- **Steel or Polyurethane Wheels**

STANDARD FEATURES

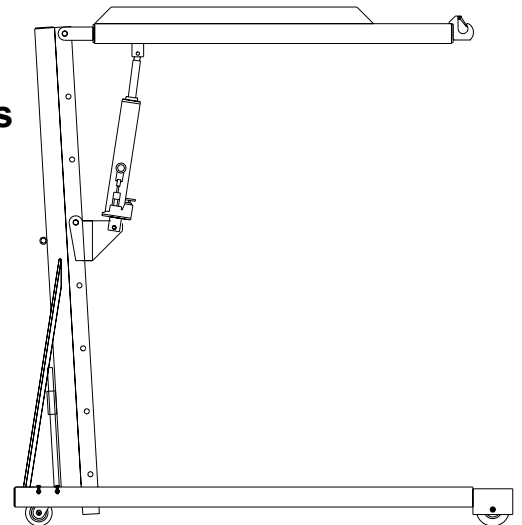
- Meet Ruger's engineering standards of 150% structural overload of maximum rated capacity
- Completely self-contained hydraulic system with single action jack
- Boom and hydraulics adjust to 5 height locations
- Built-in hydraulic overload relief valve
- (An original Ruger patent)
- Needle type release valve permits pin-point control over lowering and holding of the heaviest or lightest loads
- Snatch hook
- Phenolic casters with roller bearing wheels
-

Prices, Specifications, and Options are subject to Change Without Notice.

All Ruger products are shipped F.O.B. Solon Ohio 44139
Unit Ships-NMFC #189240 - Class 85
Shipping Wt. 285 lbs

FAX: 440-248-8544

E-mail: info@davidround.com



Maximum Value and Safety.

The RC1000S boom reaches 40" out from ram connecting point and lifts 1000 pounds.

Tested and exceeds ANSI/ASME PALD-12C standards.

Meets ANSI Z.535



David Round & Son, Inc.
 Ruger Products Division
 32405 Aurora Road
 Cleveland, OH 44139
 Phone: 440-248-4700
 www.rugerequipment.com

AFFORDABLE

COMPACT

VERSATILE

RELIABLE

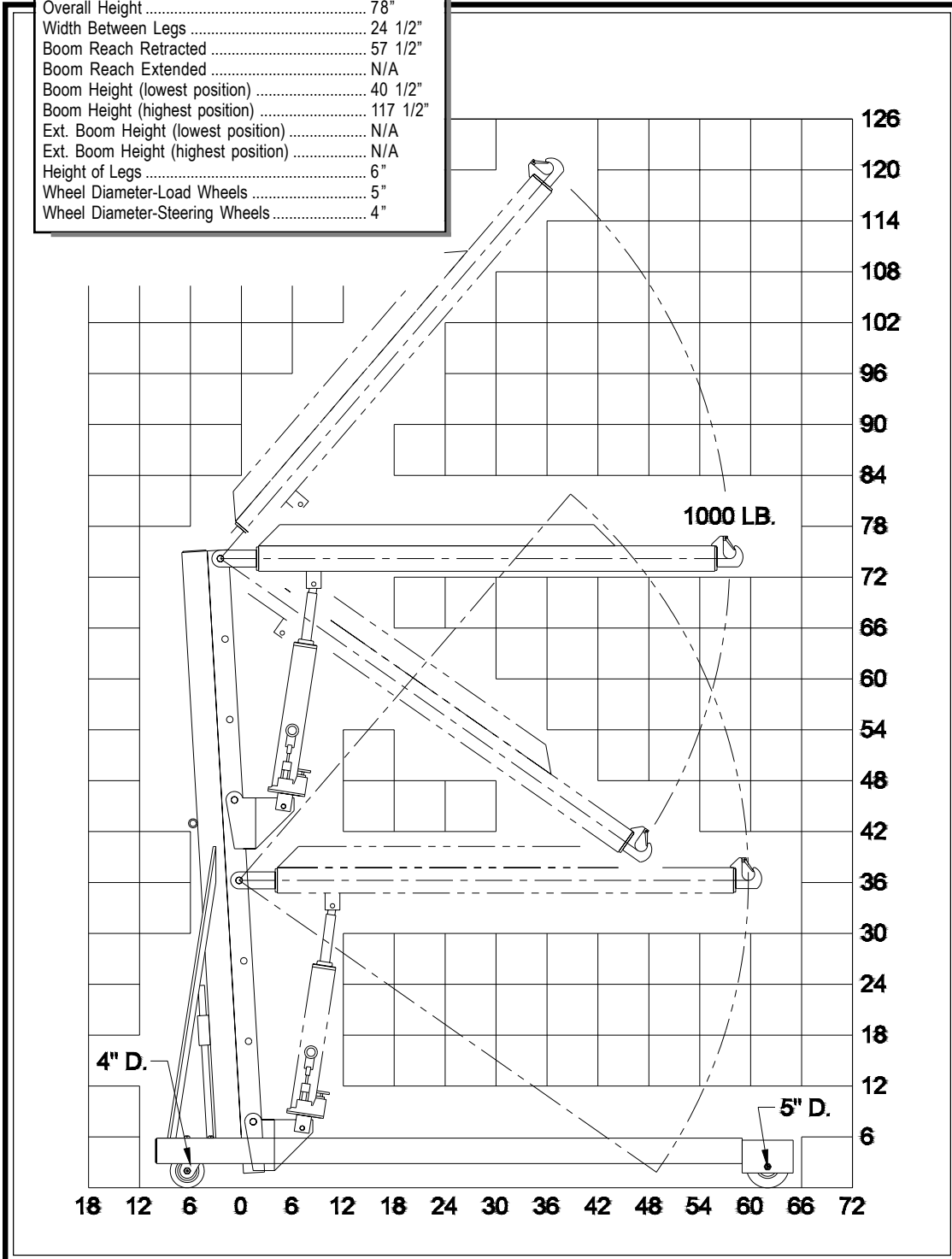
MODEL: RC1000S

Model	RC1000S
Max. Capacity	1000 lbs
Overall Base Length	75"
Overall Width	32 1/2"
Overall Height	78"
Width Between Legs	24 1/2"
Boom Reach Retracted	57 1/2"
Boom Reach Extended	N/A
Boom Height (lowest position)	40 1/2"
Boom Height (highest position)	117 1/2"
Ext. Boom Height (lowest position)	N/A
Ext. Boom Height (highest position)	N/A
Height of Legs	6"
Wheel Diameter-Load Wheels	5"
Wheel Diameter-Steering Wheels	4"

PUMPING CYCLES
 needed to raise boom
 through full
 travel : 90.

Certain models can be
 shipped NEXT DAY.

NOTE:
 Ruger can modify
 any standard
 dimension to meet
 specific customer
 needs.



MAINTENANCE INSTRUCTIONS

NOTE: There is an overload relief valve built into the hydraulic system of every new Ruger Crane. This safety valve is set at the factory, under measured loadings, and opens at about 10% over the rated capacity, preventing the crane from lifting.

IF THE CRANE FAILS TO HOLD OR LIFT ITS RATED LOAD.... REMOVE THE CRANE FROM ALL SERVICE WORK. Contact the factory Customer Service Department at 1-440-248-4700.

When calling the factory, please have your Model and Serial Number ready, so we may better serve you.

Serial No. Tag -
Found on the
mast of the
Crane.

MODEL NO.

SERIAL NO.

LBS. CAPACITY

BEFORE EACH USE -

- Check the Hydraulic Jack for oil leakage.
- Inspect the Safety Swivel Hook with Latch to ensure safe lifting of loads.

WEEKLY -

- Check the Pins for excessive wear.

MONTHLY -

- Check the Casters for excessive wear or uneven travel.

QUARTERLY -

- Check all welded joints.

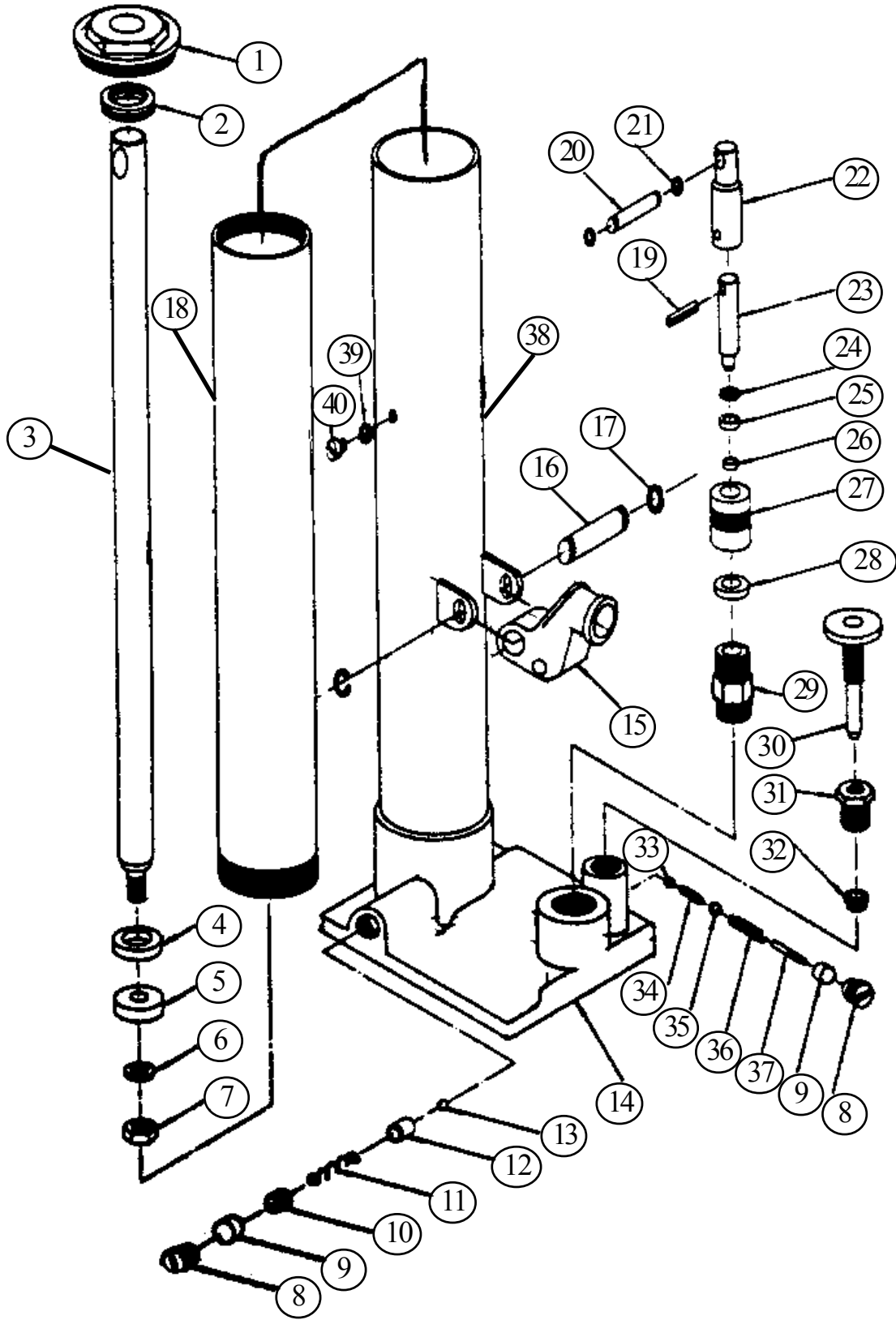
Email: info@davidround.com
Phone: 440-248-4700
Fax: 440-248-8544



David Round & Son, Inc.
32405 Aurora Road
Solon, Ohio 44139
www.davidround.com

...a better way to work with heavy loads

RECOMMENDED PARTS



RECOMMENDED PARTS

**COMPLETE JACK ASSEMBLIES: 09-004 AND 09-005
REPAIR KITS**

PACKING KIT: #768-2 CONSISTS OF ITEMS NO. 2,5,9,28,32 (ALL CRANES)

PUMP PISTON KIT: #768-3 CONSISTS OF ITEMS NO. 23,24,25,26 (ALL CRANES)

CHECK VALVE KIT: #81053 CONSISTS OF ITEMS NO. 8,9,33,34,35,36

RELIEF VALVE KIT: #80360 CONSISTS OF ITEMS NO. 8,9,10,11,12,13


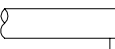
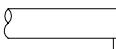
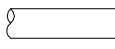
ITEM NO.	PART NO.	DESCRIPTION	QTY.
1	203051-1	TOP NUT	1
2	203051-2	QUAD RING	1
3	NOT SERV.	RAM	1
4	203051-4	SPACER	1
5	203051-5	CUP SEAL	1
6	203051-6	WASHER	1
7	203051-7	HEX JAM NUT	1
8	203051-8	PLUG	2
9	203051-9	SEAL	2
10	203051-10	ADJUSTING SCREW	1
11	203051-11	SPRING	1
12	203051-12	SPRING CAP	1
13	203051-13	BALL 3/16"	1
14	NOT SERV.	BASE	1
15	203051-15	HANDLE SOCKET	1
16	203051-16	PIN	1
17	203051-17	PIN RING	2
18	NOT SERV.	RESERVOIR TUBE	1
19	203051-19	ROLL PIN	1
20	203051-20	PIN	1
21	203051-21	PIN RING	2
22	203051-22	PUMP LINK	1
23	203051-23	PISTON	1
24	203051-24	BACK-UP RING	1
25	203051-25	CUP SEAL	1
26	203051-26	RETAINER	1
27	203051-27	PACKING NUT	1
28	203051-28	PACKING NUT	1
29	203051-29	PUMP CYLINDER	1
30	203051-30	CONTROL VALVE	1
31	203051-31	PACKING NUT	1
32	203051-32	PACKING	1
33	203051-33	BALL 1/4'	1
34	203051-34	SPRING	1
35	203051-35	BALL 3/8"	1
36	203051-36	SPRING	1
37	203051-37	SPRING SPACER	1
38	NOT SERV.	CYLINDER TUBE	1
39	203051-39	WASHER	1
40	203051-40	FILL PLUG	1

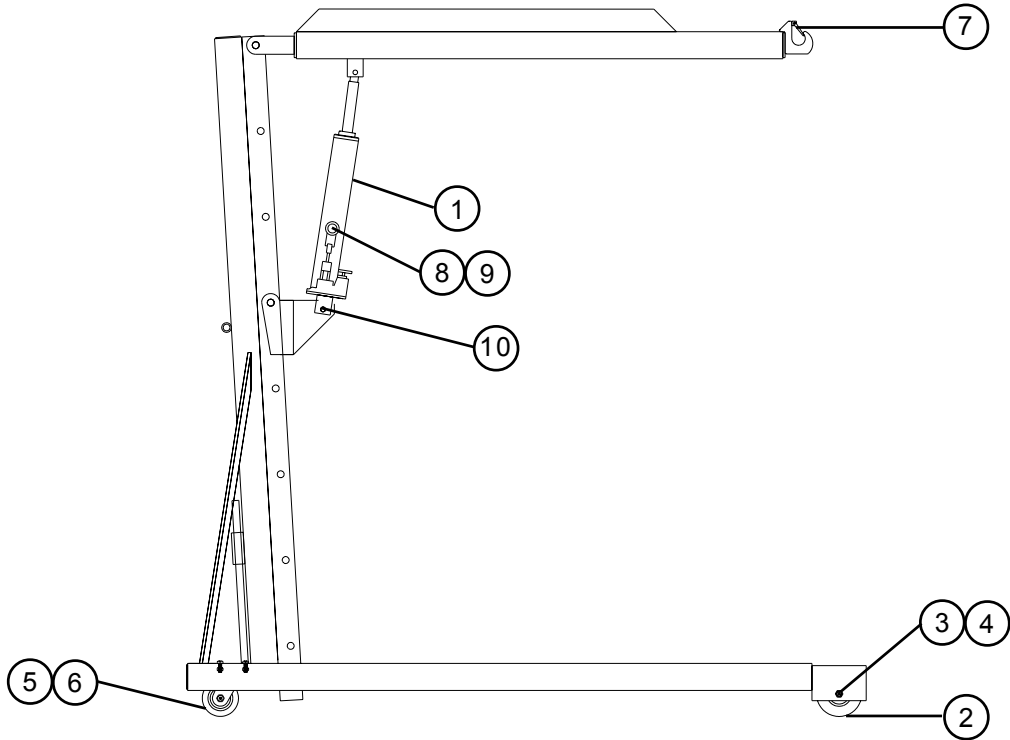
RECOMMENDED PARTS

**ORDER PARTS BY PART NAME AND NUMBER.
BE SURE TO INCLUDE MODEL AND SERIAL NUMBER.**

All parts are FOB Solon, OH. Terms are /Net 30. Minimum order - \$50.00

MODEL _____ SERIAL NUMBER _____

<p>CRANE MODEL N° RC1000S</p> <p>BOOM EXTENSION CAPACITIES-LBS.</p> <p>STD POSITION-----1st POSITION-----2nd POSITION-----3rd POSITION</p> <div style="display: flex; justify-content: space-around; align-items: center;"> <div style="text-align: center;">  <p style="border: 1px solid black; padding: 2px; width: 60px; margin: 0 auto;">1000</p> </div> <div style="text-align: center;">  <p style="border: 1px solid black; padding: 2px; width: 60px; margin: 0 auto;">NA</p> </div> <div style="text-align: center;">  <p style="border: 1px solid black; padding: 2px; width: 60px; margin: 0 auto;">NA</p> </div> <div style="text-align: center;">  <p style="border: 1px solid black; padding: 2px; width: 60px; margin: 0 auto;">NA</p> </div> </div>	<div style="border: 1px solid black; padding: 5px; text-align: center;"> <p>⚠ WARNING</p> <p>EXCEEDING CAPACITIES SHOWN CAN CAUSE CRANE TO TIP OVER RESULTING IN DAMAGE TO PROPERTY AND PERSONAL INJURY.</p> <p style="font-size: small;">DAVID ROUND AND SON, INC. RUGER DIVISION 32405 AURORA RD, SOLON, OHIO 44139 USA</p> </div> <p style="text-align: right; font-size: x-small; margin-top: 10px;">211541</p>
---	--



ITEM NO.	NAME	PART NO.
1	Hydraulic Unit	09-004
2	Load Wheel	07-807
3	Load Axle	07-808
4	Spanner Bushing	07-809
5	Steering Caster with Wheel	07-805
6	Steering Wheel Only	07-806
7	Safety Latch	02-349
8	Jack Handle	7677781
9	Handle Grip	99-511
10	Jack Adapter	7687769

OPERATIONAL STEPS

Operating the Hydraulic Jack To operate the hydraulic jack you need to start by setting the release valve. In order to raise the boom the valve needs to be closed. To close the valve turn the valve knob clockwise (CW) until it stops turning. To lower the boom turn the valve knob counter-clockwise. The further you turn the knob counter-clockwise (CCW) the faster the boom will lower. (SEE DIAGRAM #3).

To raise the boom, close the release valve (CW), insert the jack handle into the jack lever and move the handle up/down. (SEE DIAGRAM #4)

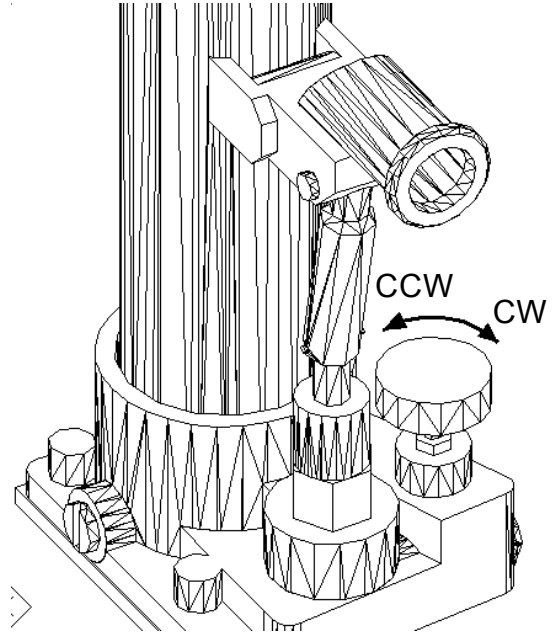


DIAGRAM # 3

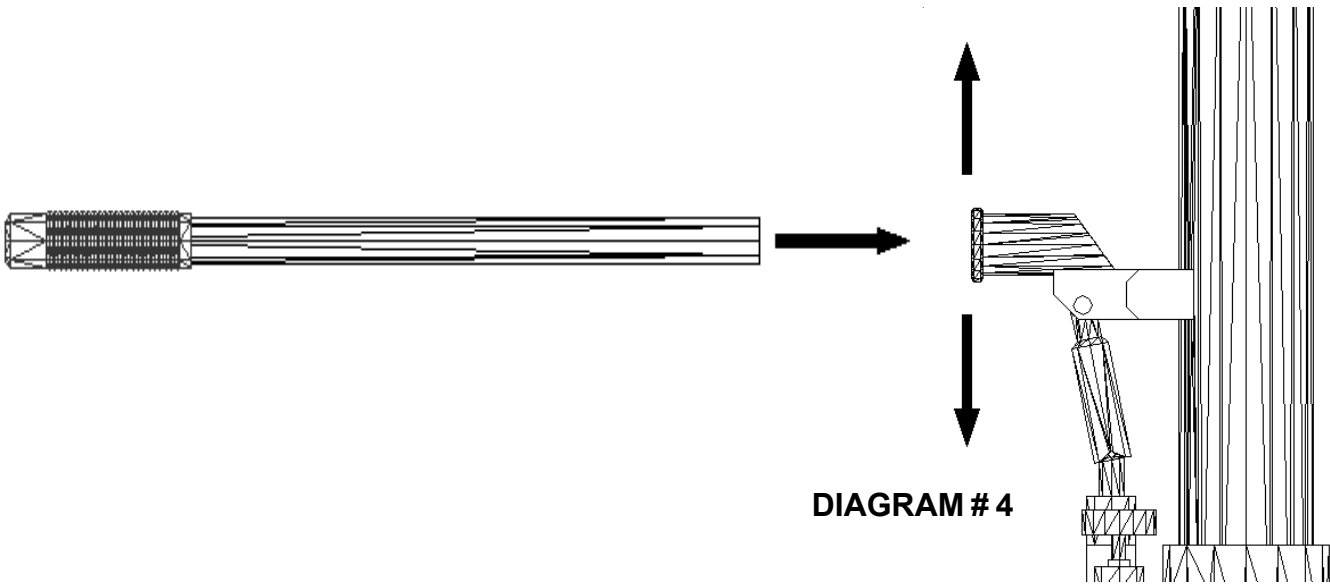


DIAGRAM # 4

JACK INSPECTION CHECKLIST

COMPONENTS	INSPECT FOR	CORRECTIVE ACTION
PUMPING PISTON, ITEM 23.	STRAIGHTNESS, SCORE MARKS, PITTING, HEAD OR HOLE DEFORMATION, LEAKAGE AROUND PACKING NUT.	REPLACE IF ANY OF THESE CONDITIONS ARE FOUND.
LINKAGE PINS, ITEMS 16, 19, & 20.	WORN OR BENT.	REPLACE. ALIGNMENT OF PUMP PISTON IS DEPENDENT ON THESE PINS.
HANDLE SOCKET, ITEM 15.	WORN, CRACKED OR BROKEN.	REPLACE.
RAM, ITEM 3.	BENT.	ENTIRE JACK ASSEMBLY MUST BE REPLACED
	DIRT, OIL, GREASE.	WIPE CLEAN OR POLISH WITH FINE STEEL WOOL. COAT WITH LIGHT OIL.
	OIL AROUND TOP NUT.	IF OIL IS NOTED AROUND TOP NUT (ITEM 1) AND RAM (ITEM 3), RAM PACKINGS ARE WORN. REPLACE. IF OIL IS NOTED BETWEEN TOP NUT AND RESERVOIR TUBE (ITEM 18), TIGHTEN TOP NUT.
PUMP VALVE, ITEMS 33, 35, 35, 36, 37, 9, & 8.	WILL NOT DEVELOP LOAD.	DIRT IN THE SYSTEM IS GENERALLY THE PROBLEM. SERVICE AS OUTLINED IN SERVICE INSTRUCTIONS.
CONTROL VALVE, ITEM 30.	LEAKING AROUND ITEM 31.	TIGHTEN OR REPLACE PACKING (ITEM 32).
	BENT OR BROKEN.	REPLACE RELEASE SCREW ASSEMBLY.
RESERVOIR TUBE, ITEM 18 (has metal to metal fit)	DEFORMED, ETC.	ENTIRE JACK ASSEMBLY MUST BE REPLACED
	LEAKS.	TIGHTEN TOP NUT (ITEM 1).
BASE, ITEM 14.	DEFORMED, BROKEN, ETC.	ENTIRE JACK ASSEMBLY MUST BE REPLACED

JACK SERVICE INSTRUCTIONS

If the crane fails to hold or lift its rated load, inspect and repair using the following information. All parts referenced are shown in jack breakdown. Remove jack from crane for all service work.

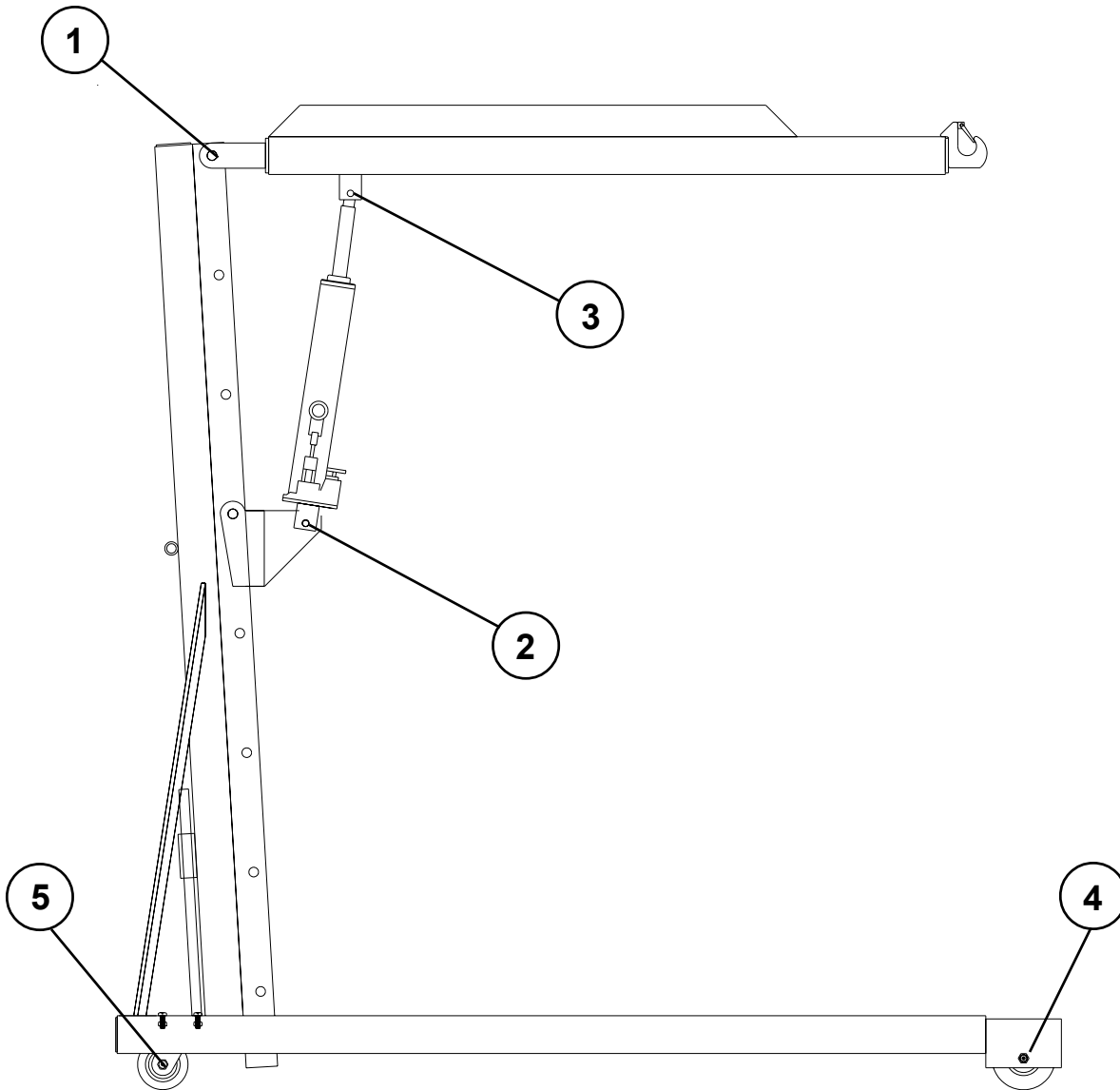
A. Control Valve (Item 30) – Turn jack upside down. Remove valve stem by turning counter-clockwise. Inspect valve for wear or nicks. Replace if necessary. If stem appears to be smooth, inspect seat for chips, dirt, or other forms of contamination. Remove if necessary.

B. Pump Valves – The valves and valve seats must be clean and in mirror condition. Dirt occasionally builds up between the valve and valve seat, preventing a tight seal between the two.

1. Inspect pump valve by first opening the control valve (Item 30). Remove plug (Item 8). Carefully remove the pressure seal (Item 9) by using a small dull tool. Be careful not to rupture the body of the seal. The springs and balls may be removed by tipping the hydraulic unit on its side.
2. Place the jack on its side with the pump valve holes up. This will prevent the fluid from running out.
3. With the aid of a light, inspect the valve chamber for dirt or other contamination. Ball seats must be free from nicks or scratches. If the seals are deformed, the jack should be taken to a qualified service depot for repair. Balls and springs must be clean and free from dirt, corrosion, nicks, scratches, or other forms of damage.
4. If all parts appear to be in good working condition, use air pressure to blow out any dirt particles before reassembly.
5. Reassemble in reverse order.

Check oil level and bleed air from the system before use. With control valve open and ram retracted, place jack in an upright position. Remove filler screw (Item 40). The oil level should be level with filler screw opening. If oil is not at this level, fill reservoir with hydraulic jack oil. (SAE #10) non-detergent motor oil or equal). DO NOT USE HYDRAULIC BRAKE FLUID. If there is too much oil in the reservoir it will run out when filler screw is opened. The air space above the filler screw is necessary to prevent a vacuum from forming at the top of the reservoir. After correcting the amount of fluid in the reservoir, replace the filler screw. Leave the control valve open and pump the handle a few times. This will bleed air from the hydraulic system.

LUBRICATION



ITEM NO.	DESCRIPTION	OIL	WHEN
1	Boom Pivot Point	Chassis Lube	Apply Monthly
2	Jack Mount Pivot Point	Chassis Lube	Apply As Needed
3	Cylinder Ears on Boom	Chassis Lube	Apply As Needed
4	Load Wheel Axles	Chassis Lube	Apply Monthly (Do Not Spray Wheels)
5	Steering Wheel Axles	Chassis Lube	Apply Monthly (Do Not Spray Wheels)
Chassis Lube = White High Pressure Lithium Grease Spray			

SAFETY TIPS FOR USING RUGER CRANES

Operator

Safe operation of this equipment is your responsibility.

NO PERSON shall operate this crane unless they have received instructions for its proper use from a qualified person and have completely read the operators manual.

When more than one person is involved in the operation of the crane, one person should supervise and give all orders, to avoid confusion and to promote safety.

Obey plant safety rules; obey a stop signal from anyone.

Refuse to handle loads until safety has been assured.

Test the stability of the system before using. Adjust if necessary.

Always transport loads as close to the floor as possible.

DO NOT exceed load ratings of other components in the load lifting system-cables, slings, etc.

Never leave a raised load unattended.

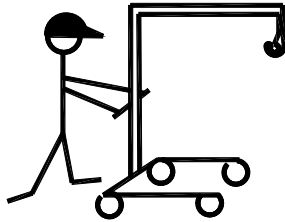
Never walk, stand or work under a raised load.

Keep hands away from load bearing chains, cables and slings while operating.

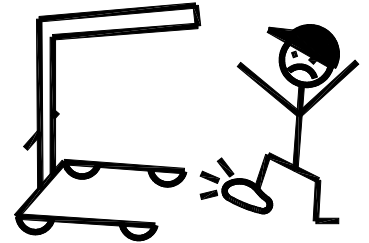
Make sure load clears nearby stockpiles, machines or other obstructions when raising, lowering or moving the load.

Make sure load is totally disconnected from any fasteners before lifting and transporting.

Avoid sudden acceleration or deceleration of the crane. **DO NOT** make sudden sharp turns while moving the crane, loaded or empty.



Keep hands and feet clear of crane base and wheels. Also, in facing away from crane while pulling, maintain distance to prevent crane from rolling into your own heel.



Use standard hand signals when operating with other persons. Make sure all concerned understand signals to be used.

Make sure floor area over which the crane travels is level and free from debris and other materials that may interfere with normal crane travel.



Use caution when working near electrically charged lines or equipment.

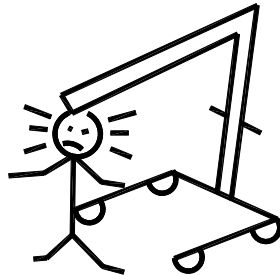
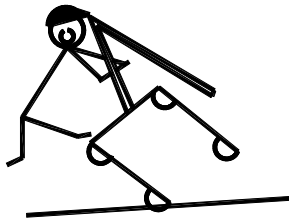
DO NOT use your crane to lift more than its rated load. Load ratings are based on new equipment. Age, wear, improper maintenance, and improper use will reduce load ratings. **DO NOT** continue operation of a crane damaged by misuse or overloading.

Never use two or more cranes to lift a load greater than the capacity of a single crane - a shifting load may place entire load on one unit.

Apply the load evenly, do not jerk or bounce or allow the load to swing. Avoid violent motion and shock loads.

People

DO NOT lift or lower people or things over people with this equipment.



WARRANTY

We warrant that our standard products will be of good merchantable quality, free from defects in material and workmanship, and will conform to the characteristics represented by us for:

1 Year	On metal frames, castings and weldments
1 Year	On hydraulic seals, wiring and hoses.
1 Year	On contactors, drive units, motors, hydraulic rams, pumps and valves
1 Year	On all other parts

Subject to the following terms and conditions:

- (1) The products have not been misused, abused, neglected or damaged in any way, or operated in a manner inconsistent with our stated purpose and applicable instructions for use whether given before, at or after sale including any provided mailings to you or posted on our web site at any time and subject to change without notice.
- (2) The products have not been altered, serviced, upgraded, or changed in any manner except by us.
- (3) The products were not damaged in shipping, or thereafter in used or storage.
- (4) Proper maintenance has been performed on the products on a regular basis per the standard schedule.
- (5) Regular inspection and testing by us has occurred per the standard schedule and fees which under no circumstances will allow for inspection and testing on intervals greater than every 2 years.
- (6) The products are not for rental use.
- (7) Notice is given to us within three business days of discovery of noncompliance of the product.
- (8) The products have not been sold, leased or otherwise transferred out of title and control of the original purchaser.

If all of the above terms and conditions are met, and a product does not comply in our sole judgment with the warranty during the warranty period, we will repair or replace it in our sole discretion at our cost which is limited to our standard labor and materials costs, and shipping or travel costs if needed by non-expedited means. It is understood that this warranty is in lieu of and excludes all other warranties, express or implied, including any warranties extending beyond the description on the face of this document and including any warranties of merchantability or fitness as provided under operation of law, and that our sole liability hereunder is expressly limited to the repair or replacement of the products not complying with the warranty.

If any one of the above terms and conditions are not met, the warranty is void and unenforceable.

We are not liable under any circumstances for special, indirect, incidental, consequential or punitive damages of any nature including, but not limited to, loss of profit, delays or expenses, and under no circumstances shall our liability under this warranty ever exceed the actual purchase price paid for the products. We do reserve the right to make changes or improvements to any product including as needed during a repair or replacement, or as arise from any inspection or testing.

WARRANTY

The **objectives** of the Ruger warranty and its administration are:

FIRST - To get the customer's equipment into satisfactory operation.

SECOND - To determine a fair cost for accomplishing the above.

THIRD - To establish who should pay for the repair:

The **CARRIER**, who accepted the equipment in normal working condition and delivered it in damaged condition.

The **CUSTOMER**, who may have brought about the failure because of misuse, abuse, neglect of maintenance, or wear of a consumable material not covered by warranty.

The **DISTRIBUTOR**, who may have made a bad choice of equipment or model for the job.

The **MANUFACTURER**, when there is a problem in materials, assembly or design.

Upon delivery of a new piece of equipment, here is a series of useful steps to be taken by the distributor or customer to help prevent or reduce difficulty in event of future warranty claims. These steps are not the responsibility of the manufacturer. The suggestions are made to help eliminate avoidable problems and do not enlarge or reduce the customers rights under the standard Ruger warranty.

BEFORE Product is placed in service:

Included with the equipment is a receiving inspection check list. Do not relinquish your rights to claim for "CONCEALED DAMAGES" until this check list has been completed.

The section in the OPERATOR'S MANUAL which covers steps to be taken before placing the equipment in service should be followed.

The equipment should be cycled through all its functions several times.

It should be verified that the equipment will do the job for which it was ordered for.

If a problem occurs with a Ruger product, the ideal solution will get the equipment back into service promptly with costs of the repair paid by the appropriate party -- either the carrier, the customer, the distributor, the factory or some combination of these.

WARRANTY INFORMATION

In the event investigation of a service problem by the distributor discloses that correction should be at the customer's expense because of misuse or neglect, the customer should be notified of this before repair work begins and the distributor should bill the customer directly.

If the problem is the fault of the carrier (damage in transit), or the distributor (misapplication of the product), costs of repairs should be billed to and honored by them directly.

When factory compensation appears justified, the factory maintains sole final discretion to determine if the malfunction is covered under the terms of the warranty. In this situation, the distributor or customer has the choice of:

1. Proceeding with repairs and submission of invoices for factory payment or credit, relying on the fairness of Ruger's service people to back up the customer, the distributor and the equipment to the maximum responsible limit subject to the terms of the warranty itself, or.....
2. Solicit factory approval before incurring any costs at all. In this case, the distributor or customer should get all preliminary details possible and call the **FACTORY SERVICE DEPARTMENT at 800-257-8437**. In this way, a preliminary diagnosis and factory commitment can be obtained on ceilings for travel, labor, parts, and freight. Thus, the distributor knows where he stands with the factory and needed parts can be sent off. If the factory authorizes the supply of parts under warranty by the distributor from his own stock, they should be invoiced.

Prior factory approval is **REQUIRED** when:

1. Non-factory parts are being invoiced to the factory.
2. Shipping charges in or out on replacement parts are being paid by the factory.
3. Field assistance is being furnished at factory expense.
4. Warranty claims are to be deducted from Ruger invoices.