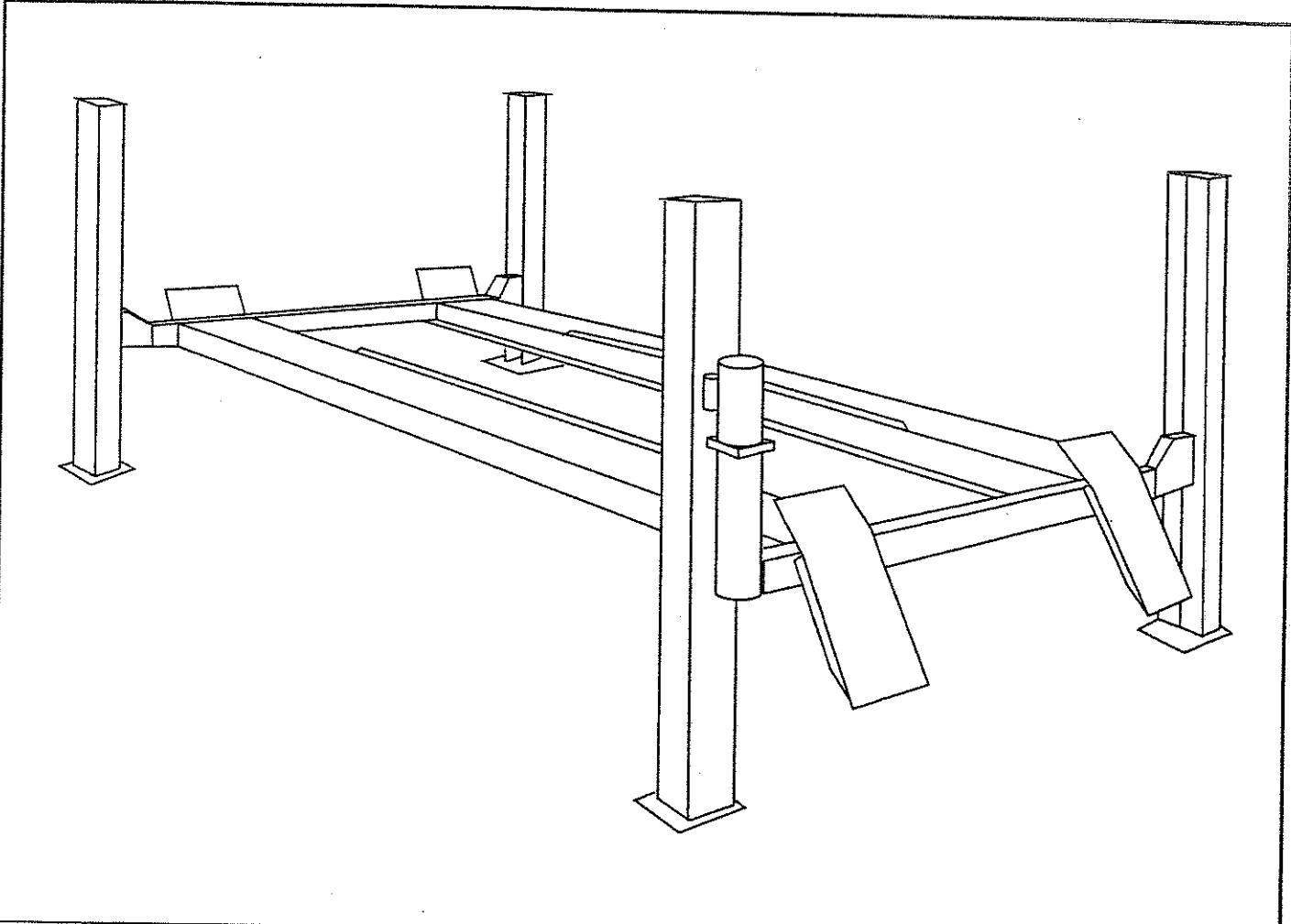




World Leader in Lift System

Model SM180/181

Parts Breakdown



IMPORTANT: When ordering parts or requesting service, always give exact model and power unit serial number. Model number is shown on nameplate attached to power unit column. Power unit serial number is located on side of reservoir.

NOTES:

OWNER'S RECORD

Complete information at right and keep in a safe place.

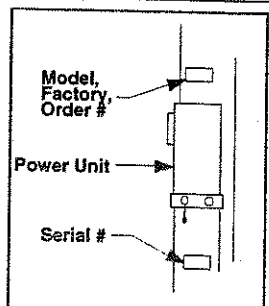
Date Installed _____

Installed In Bay # _____

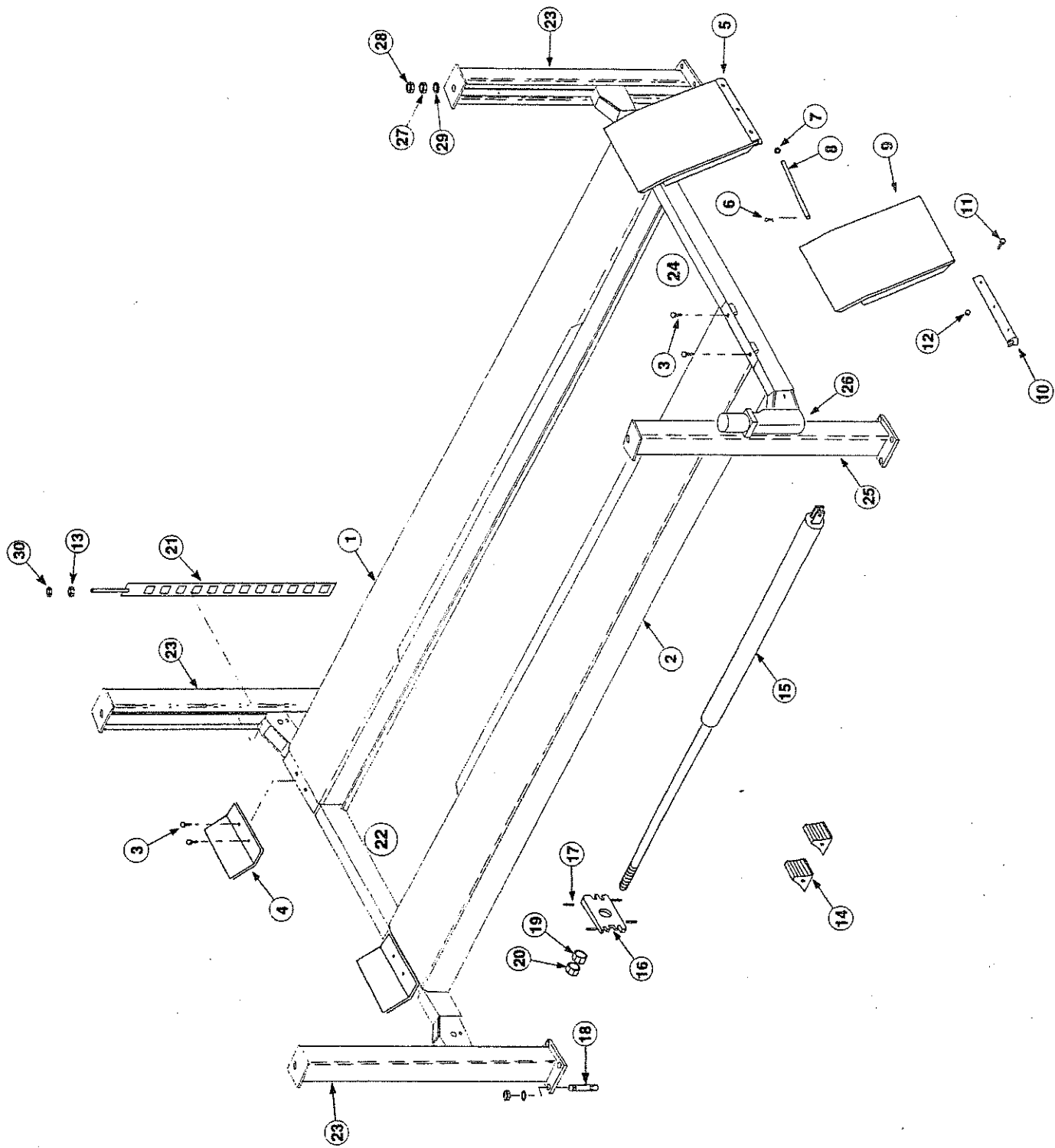
Std. Serial # _____ P706

3 ph Serial # _____ P705

Factory Order # _____

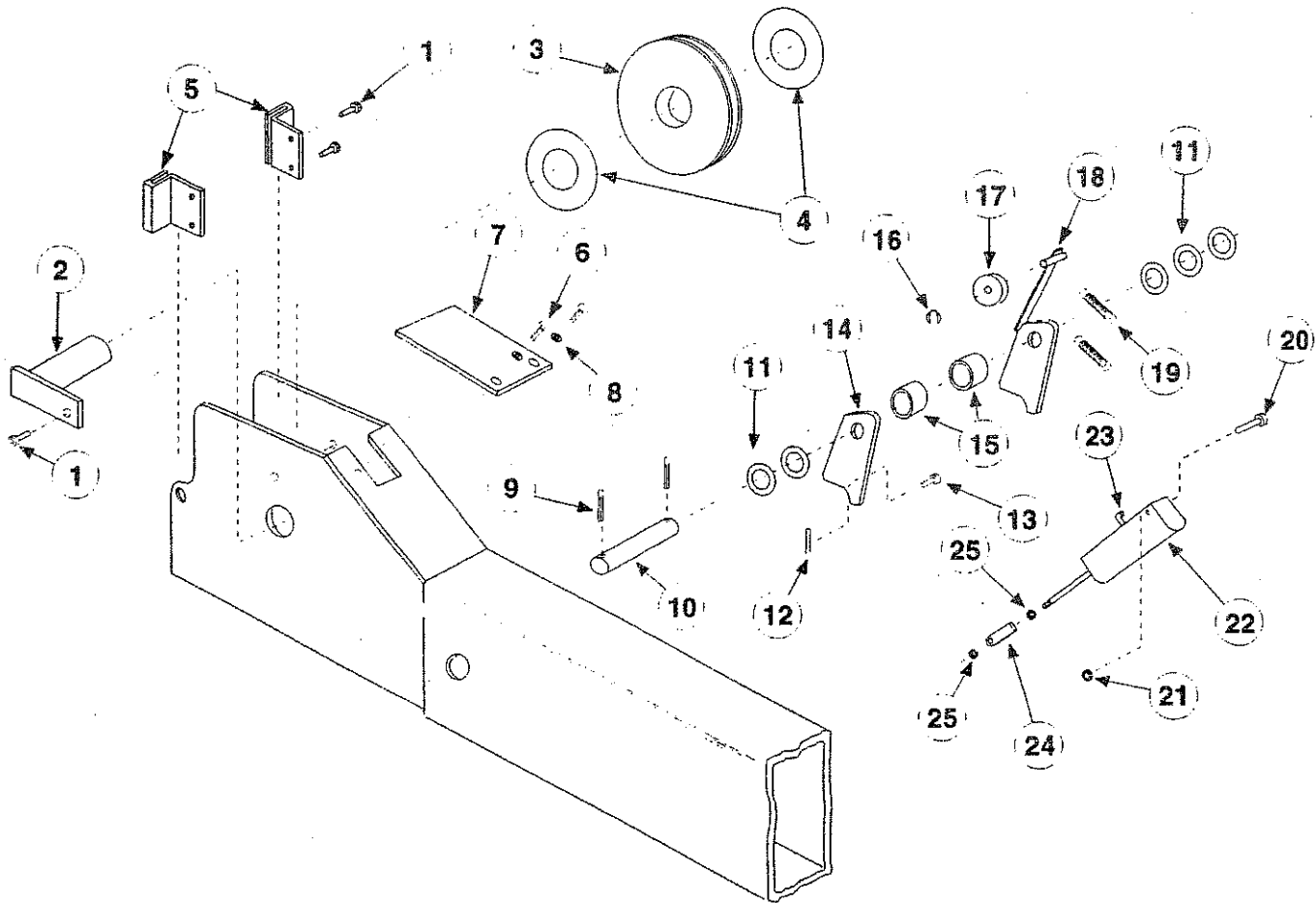


NOTE: For Replacement Parts - See Your Nearest Rotary Parts Distributor



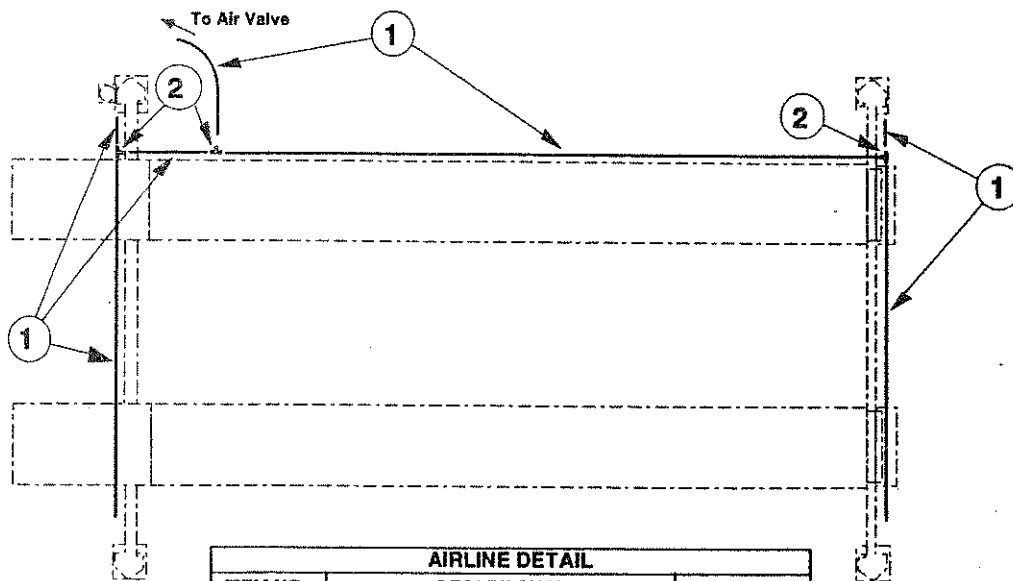
SM180 PARTS

ITEM NO.	DESCRIPTION	PART NO.	
		SM180	SM181
1	R.H. (Adjust.) Runway Weld	FC5811	FC5817
2	L.H. (Fixed) Runway Assembly (Includes cylinder, cables and sheaves)	FC5810	FC5816
3	1/2"- 13NC x 1 5/8", Flg. Whiz Lock HHCS (High Strength)	8 required	
4	Wheel Stop	FC5810-19	
5	Ramp Chock Assembly	FC5810-43	
6	5/32" x 1" Lg. Cotter Pin	41202	
7	5/8" Pushnut Fastener — TRW #PW625019 Or Equal	FC5179-4	
8	Hinge Pin	FC134-99	
9	Ramp Chock	FC5810-45	
10	Ramp Chock Slide	FC134-33	
11	#10-24 PNHDMS x 3/4" Lg.	40030	
12	#10-24 Hex Nut	40630	
13	3/4"-10NC Hex Nut	40760	
14	Wheel Chock	FC337	
15	Hydraulic Cylinder	FC5810-38	
16	Cable Pull Bar	FC5810-30	
17	3/8" x 3 1/4" Roll Pin	14464	
18	5/8" Anchor Bolt	FC5228	
19	1 1/2"-6NC Hex Nut	40774	
20	1 1/2"-6NC Hex Jam Nut	40830	
21	Latch Bar	FC5814-11	
22	Front Yoke Ass'y (Including Latches)	FC5812	
23	Standard Column	FC5814	
24	Rear Yoke Ass'y (Including Latches)	FC5813	
25	Power Unit Column	FC5815	
26	Power Unit Kit (includes power unit)	Single Phase	P706
		3 Phase	P705
27	1"-8NC Hex Nut	40768	
28	1"-8NC Hex Jam Nut	40767	
29	1" Flat Washer	41113	
30	3/4"-10NC Hex Jam Nut	40759	

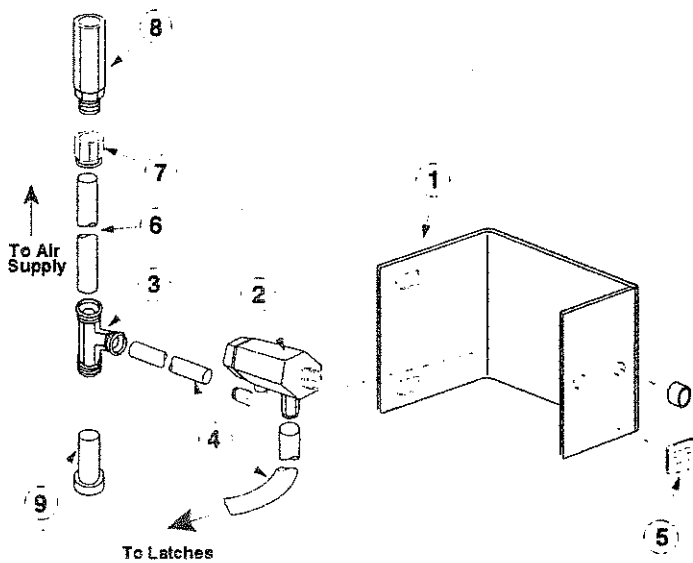


YOKE END DETAIL

ITEM	DESCRIPTION	PART NO.	ITEM	DESCRIPTION	PART NO.
1	5/16"-18NC HSBHCS x 1/2" Lg.	40225	14	Latch	FC5812-29
2	Sheave Pin Assembly	FC5224-21	15	Spacer	FC5812-28
3	Sheave	FC5810-10	16	3/8" Snap Ring TRUARC #5304-37	41410
4	Plastic Bearing	FC548-5	17	Slack Cable Roller	FC553-21
5	Slider	FC5812-10	18	Slack Cable Latch	FC5812-27
6	1/4" 20NC HHTS x 1/2" Lg.	40067	19	Extension Spring	FC522-25
7	Rubber Guard	FC553-10	20	1/4"-20 HHCS X 1 1/2" Lg.	40081
8	1/4" Plain Washer	40780	21	1/4"-20 Hex Nut w/locking nylon insert	40642
9	Cotter Pin, 1/8" X 1 1/4"	41201	22	Air Cylinder	FC5812-30
10	Latch Shaft	FC5224-17	23	Elbow	FC5224-39
11	Washer	FC5301-98	24	Clevis	FC5706-8
12	1/4" Hairpin Cotter Pin (.05" dia. wire)	41901	25	1/4" -28NF Hex Nut	40622
13	Clevis Pin	FA2230-12			

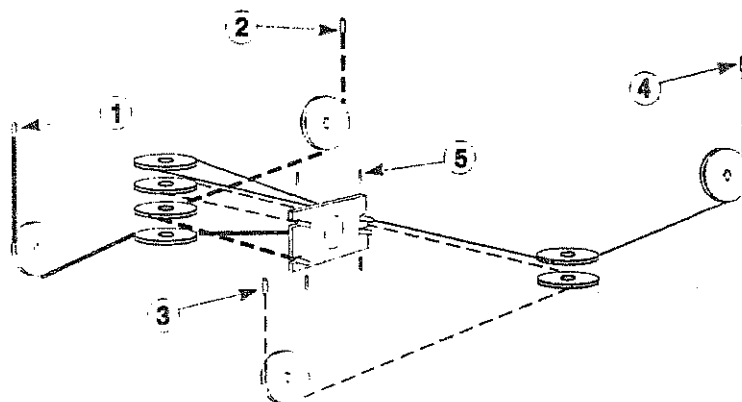


AIRLINE DETAIL		
ITEM NO.	DESCRIPTION	PART NO.
1	Airline Tubing (50' roll)	FA2230-2
2	Union Tee	FC5225-46

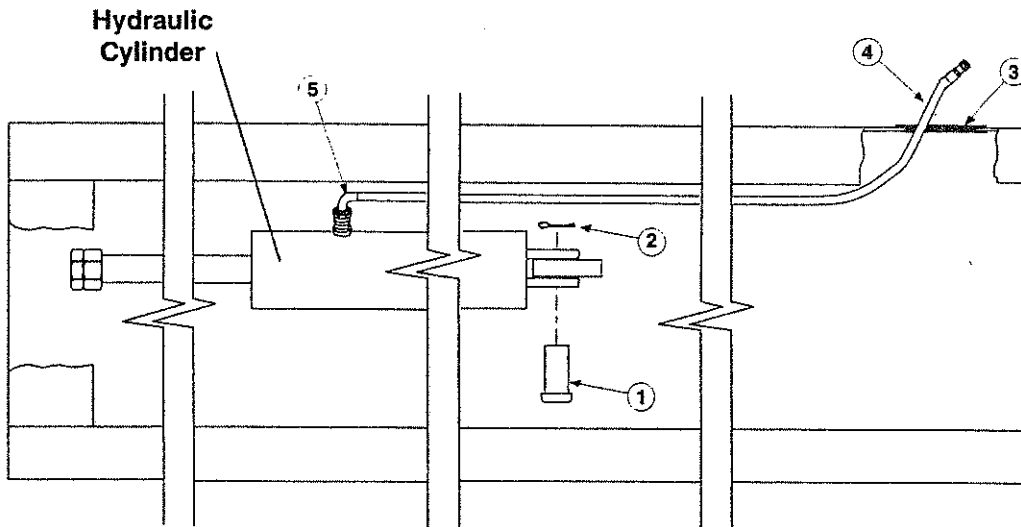
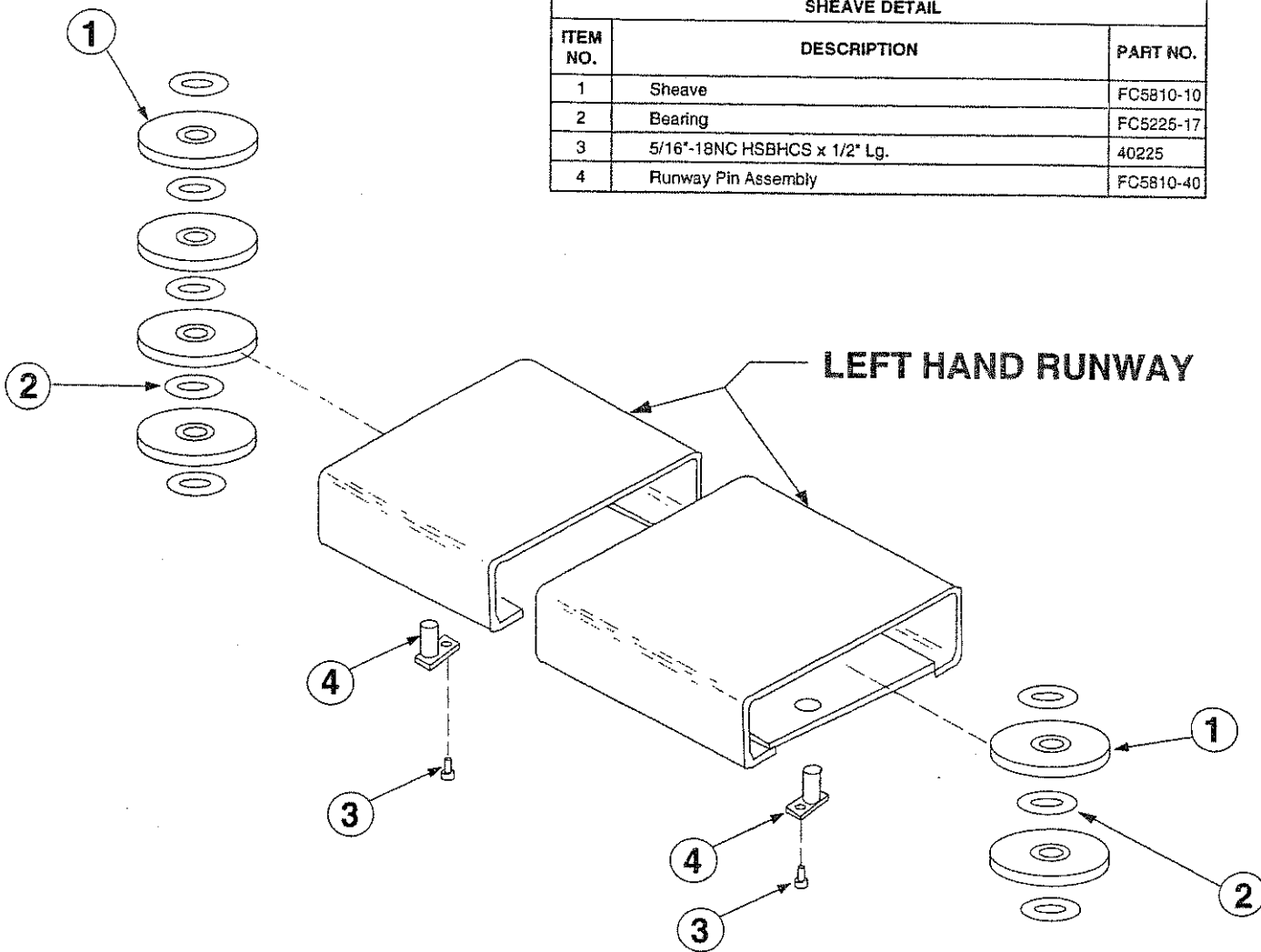


AIR LOCK RELEASE VALVE DETAIL		
ITEM NO.	DESCRIPTION	PART NO.
1	Control Assy. Bracket	FA2273-7
2	Air Valve	FA2273-8
3	Union Tee	FA2242-1
4	1/4" Tubing (50' roll)	FA2230-2
5	Nameplate	NP2B0
6	3/8" Tubing (40' roll)	FA2230-15
7	Female Connector	FA3134-13
8	Filter	FA3134-12
9	3/8" Plug	FA2230-16

CABLES			
ITEM NO.	DESCRIPTION	PART NO.	
		SM180	SM181
1	Left Front Cable	FC5810-11	
2	Right Front Cable	FC5810-12	
3	Left Rear Cable	FC5810-13	FC5816-13
4	Right Rear Cable	FC5810-14	FC5816-14
5	3/8" x 3 1/4" Roll Pin	14464	



SHEAVE DETAIL		
ITEM NO.	DESCRIPTION	PART NO.
1	Sheave	FC5810-10
2	Bearing	FC5225-17
3	5/16"-18NC HSBHCS x 1/2" Lg.	40225
4	Runway Pin Assembly	FC5810-40



View Beneath Runway

HYDRAULIC HOSE DETAIL		
ITEM NO.	DESCRIPTION	PART NO.
1	Cylinder Pin	FC5810-17
2	3/16" x 1 3/4" Lg. Cotter Pin	1 required
3	Strip Grommet	FC5317-12
4	Hose	SM180
		SM181
5	Elbow	FJ7224