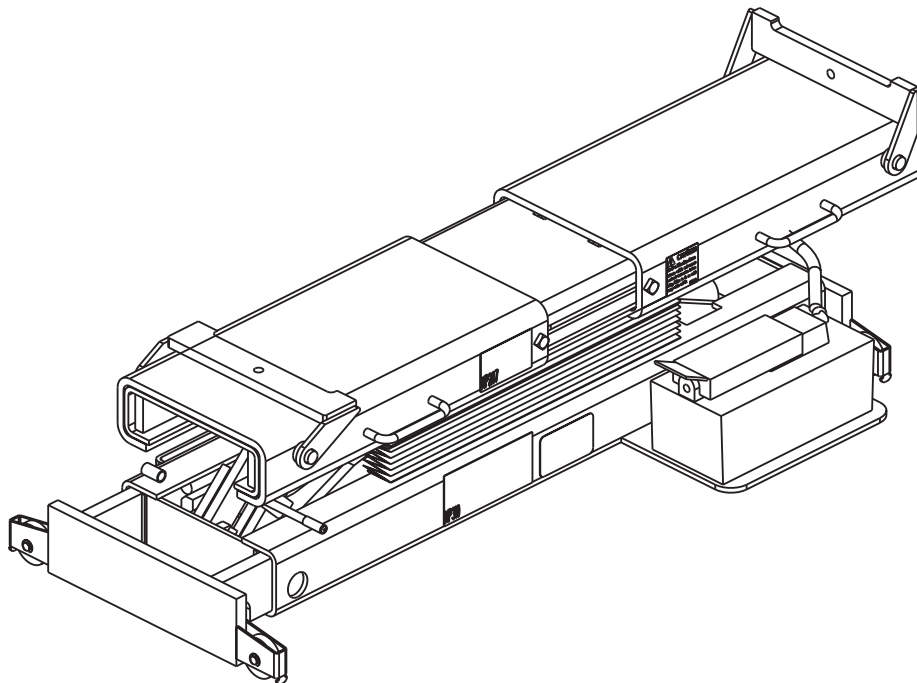




World Leader in Lift Productivity

RJ9001

9000 lb. Rolling Jack



P
A
R
T
S

B
R
E
A
K
D
O
W
N

IMPORTANT: When ordering parts or requesting service always give exact model and power unit serial number. Model number is shown on nameplate attached to air lock release valve. Power unit serial number is located on side of power unit.

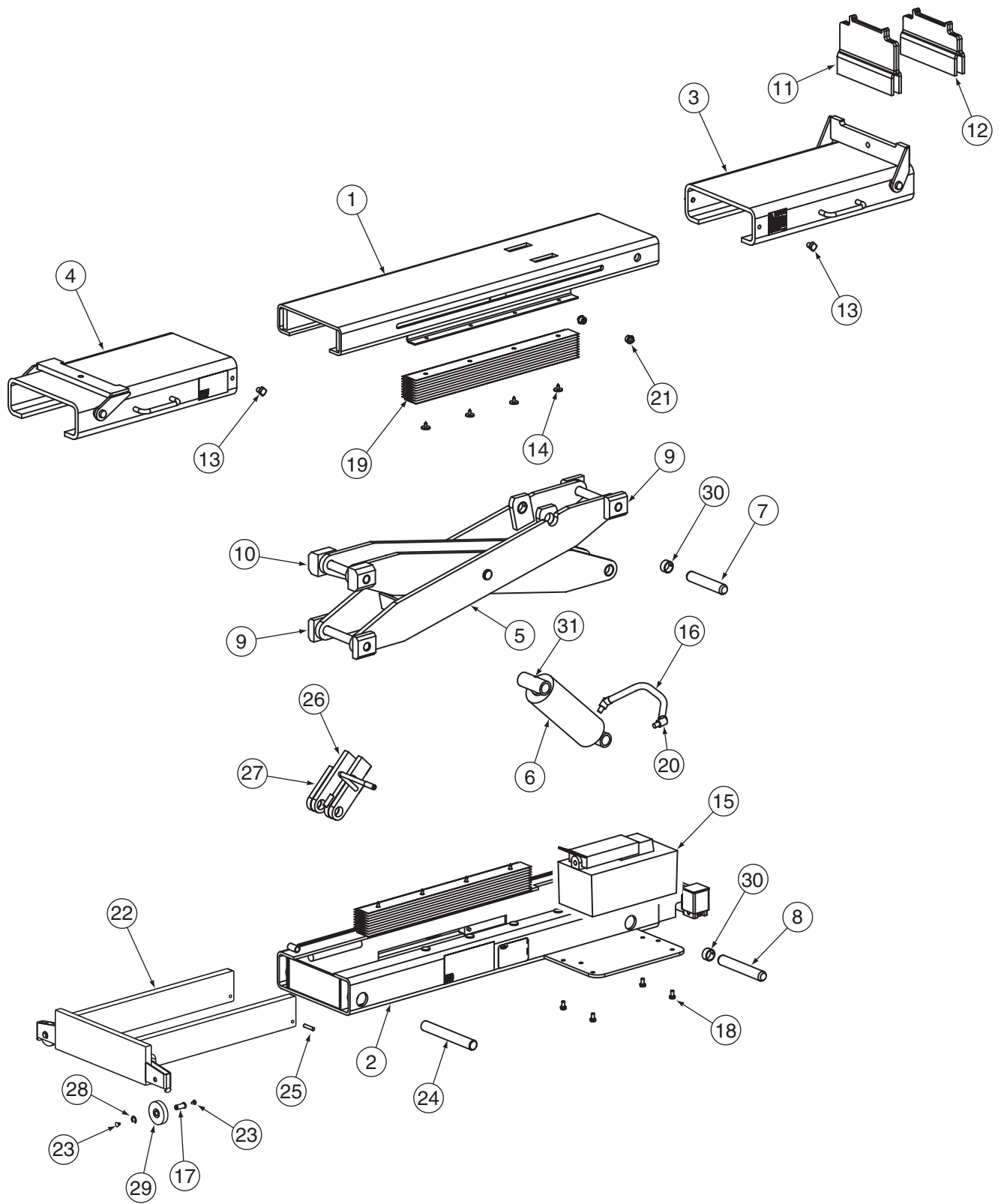
OWNERS RECORD
Complete information at right and keep in a safe place.


Date Installed _____
 Installed in Bay # _____
 Power Unit Serial # _____
 Power Unit Model # _____
 Lift Serial # _____
 Lift Model # _____

NOTE: For replacement parts -See your nearest Rotary Parts Distributor.

PB 25-2-13-2
Rev. -- 08/20/03

ITEM #	DESCRIPTION	PART #	QTY.
1	Upper Channel Assembly	FC5818-47	1
2	Lower Channel Assembly	FC5783-2	1
3	Right Hand Sliding Adapter	FC5818-37	1
4	Left Hand Sliding Adapter	FC5818-24	1
5	Link Weld	FC5783-4	1
6	Hydraulic Cylinder	FC5818-18	1
7	Upper Cylinder Pin	FC5818-51	1
8	Lower Cylinder Pin	FC5818-32	1
9	Slider	FC5185-68	1
10	Slider	FC5185-67	1
11	3-7/8" Tall Auxiliary Adapter	FC5108	1
12	5-3/8" Tall Auxiliary Adapter	FC579	1
13	3/8"-16NC x 5/8" Lg Stop Bolt	FC576	1
14	Pinetree Retainer	FC5185-69	1
15	Pump	FC5966	1
16	Hose	FC5657-4	1
17	Wheel Pin	SB700004	1
18	m8 x 1.25 x 20mm HHCS	41462	4
19	Bellows	FC5144-1	1
20	Elbow Adapter	FC5185-45	1
21	3/8"-16NC x 3/8" Lg. Socket Head Cap Screw	40079	4
	3/8" External Tooth Lock Washer	40845	4
22	Telescoping End Weld	SB300046	1
23	Bumper	SB700001	1
24	Pin	FC5818-29	2
25	1/4" x 1"Lg. Roll Pin	14420	1
26	Long Dog Weldment	FC5783-12	1
27	Short Dog Weldment	FC5783-10	1
28	Wheel Clip	SB700002	1
29	Roller	SB700005	4
30	Sleeve Bearing	FC5818-40	2
31	1/4"-20NC Set Screw	40042	2



World Headquarters:
Rotary Lift
A  **DOVER** COMPANY
2700 Lanier Drive
Madison, Indiana USA
Phone: 1.800.445.5438
Phone: 1.812.273.1622
Fax: 1.800.578.5438
Fax: 1.812.273.6502
userlink@rotarylif.com
www.rotarylif.com

Italy:
(Regional Sales Office)
Rotary Lift Europe S.r.l.
Cadriano (BO)
Phone: +39.051.763384
Fax: +39.051.763395
info@rotaryeurope.com

Germany:
(European Sales Headquarters)
Rotary Lift Germany GmbH
Bensheim
Phone: +49.6251.582.6420
Fax: +49.6251.582.6422
sales@rotarylif.de

United Kingdom:
(Regional Sales Office)
Rotary Lift (UK) LTD.
Halstead, Essex
Phone: +44.178.747.7711
Fax: +44.178.747.7720
sales@rotarylif.idps.co.uk

Canada:
(Regional Sales Office)
Rotary Lift Canada
Mississauga, Ontario
Phone: 905.812.9920
Fax: 905.812.9719
canada@rotarylif.com

Austral-Asia:
(Regional Sales Office)
Rotary Lift Austral/Asia
Petaling Jaya, Malaysia
Phone: +60.3.7660.0285
Fax: +60.3.7660.0289
rim@rotarylif.com

