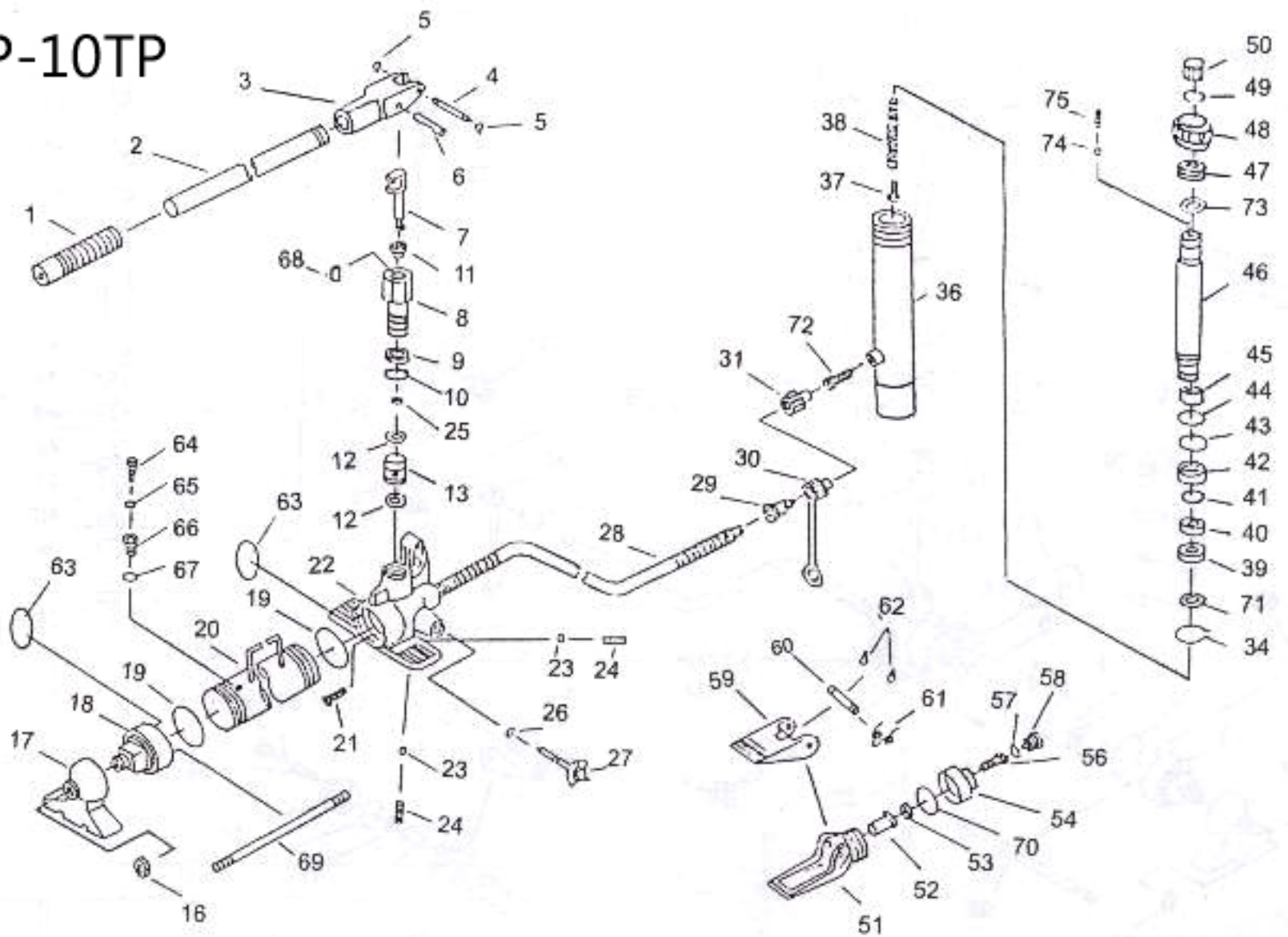


RP-10TP



NO.	PARTNAME	QTY.	NO.	PARTNAME	QTY.	NO.	PARTNAME	QTY.
1	Handle Grip	1	26	O-Ring	1	52	Piston	1
2	Handle	1	27	Release Rod	1	53	Seal	1
3	Handle Socket	1	28	Hose	1	54	Screw Cover	1
4	Pin-Socket	1	29	Coupling	1	56	Cylinder Screw	1
5	Retaining Ring	1	30	Dust Cap	1	57	Seal	1
6	Pin Piston	1	31	Connection Nut	1	58	Dust Cap	1
7	Piston	1	34	Retaining Ring	1	59	Movable Jaw	1
8	Pump	1	36	Cyclinder	1	60	Pin	1
9	Washer	1	37	Screw	1	61	Spring	1
10	Seal	1	38	Spring	1	62	Retaining Ring	1
11	Seal	1	39	V-Ring	1	63	O-Ring	2
12	Copper Washer	2	40	Sealing Ring	1	64	Screw	1
13	Pump Valve Ass'y	1	41	O-Ring	1	65	O-Ring	1
16	Nut	1	42	Bushing	1	66	Screw	1
17	Pump Foot	1	43	O-Ring	1	67	O-Ring	1
18	Base	1	44	O-Ring	1	68	Bearing	1
19	Seal	2	45	Jacket	1	69	Bar	1
20	Reservoir	1	46	Piston Rod	1	70	Seal	1
21	Filter	1	47	Ring	1	71	Washer	1
22	Base	1	48	Protector Ring	1	72	Screw	1
23	Ball	2	49	Retaining Ring	1	73	Washer	1
24	Screw	2	50	Cover	1	74	Ball	1
25	Retaining Ring	1	51	Fixed Jaw	1	75	Screw	1