

# POWER TEAM

A division of SPX Corporation

2121 West Bridge Street

Owatonna, MN 55060 USA

Phone: (507) 455-7100

Tech. Services: (800) 477-8326

Fax: (800) 765-8326

Order Entry: (800) 541-1418

Fax: (800) 288-7031

International Sales: (507) 455-7150

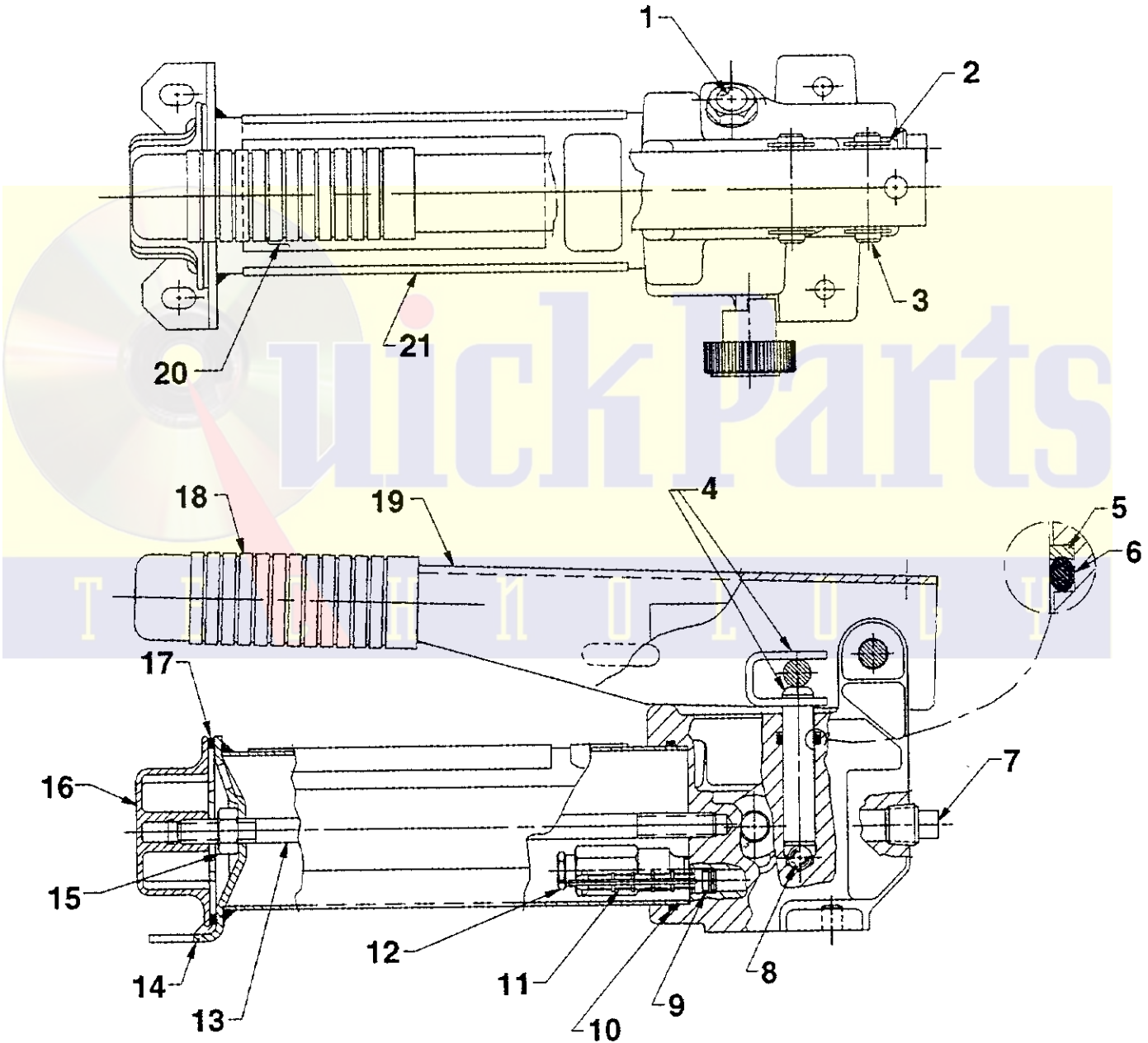
Fax: (507) 455-7122

Form No. 101264

Parts List for:

P23

## SINGLE STAGE HYDRAULIC HAND PUMP



Sheet No. 1 of 2

Issue Date: Rev. 6-30-96

# Parts List, Form No. 101264, Back sheet 1 of 2

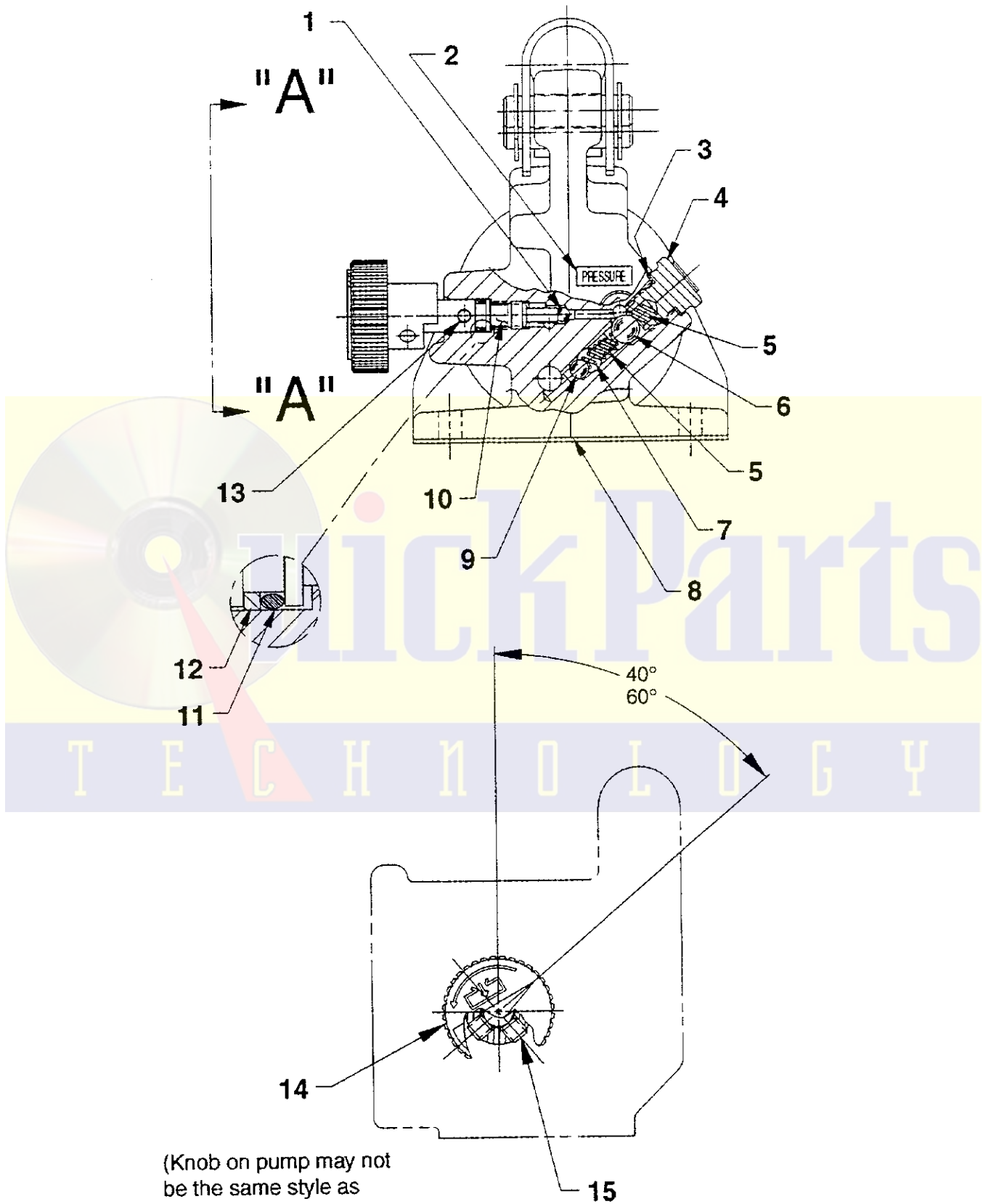
Item No.	Part No.	No. Req'd	Description
1	*215907	1	Decal
2	211743	4	Retaining Ring (Note: Expand the retaining ring to .440 dia. maximum during installation.)
3	211742	2	Dowel Pin
4	211468	1	Piston Assembly
5	*213987	1	Backup Washer (11/16 X 1/2 X 3/64, -112; Assemble with concave surface towards o-ring.)
6	*10271	1	O-ring (11/16 X 1/2 X 3/32, -112; Nitrile)
	11445	1	O-ring (11/16 X 1/2 X 3/32, -112; Viton)
	19406	1	O-ring (11/16 X 1/2 X 3/32, -112; EPR)
7	11127	1	Pressure Plug (3/8" NPTP)
8	*10378	1	Steel Ball (3/8 dia.)
9	*12557	1	O-ring (11/32 X 7/32 X 1/16, -009; Nitrile)
	18973	1	O-ring (11/32 X 7/32 X 1/16, -009; Viton)
	215375	1	O-ring (11/32 X 7/32 X 1/16, -009; EPR)
10	*211495	1	O-ring (2-11/16 X 2-1/2 X 3/32, -144; Nitrile)
	213209	1	O-ring (2-11/16 X 2-1/2 X 3/32, -144; Viton)
	215369	1	O-ring (2-11/16 X 2-1/2 X 3/32, -144; EPR)
11	*215075	1	Filter
12	21278-30	1	Relief Valve (Set at 3,000/3,400 PSI)
13	214079	1	Tie Rod
14	47846	1	Reservoir Assembly
15	10204	1	Hex Nut (3/8-16 UNC; Torque to 150/170 in. lbs.)
16	52711	1	Reservoir Cap (Torque to 50/60 in. lbs.)
17	*212739	1	O-ring (3" X 2-5/8 X 1/8; Nitrile)
	250731	1	O-ring (3" X 2-5/8 X 1/8; Viton)
	250732	1	O-ring (3" X 2-5/8 X 1/8; EPR)
18	211769	1	Handle Grip
19	46953OR9	1	Handle
20	305977	1	Warning Decal
21	350353	1	Trade Name Decal

### PARTS INCLUDED BUT NOT SHOWN

307066 1 Handle Retainer

Part numbers marked with an asterisk (\*) are contained in Repair Kit No. 300450.

END VIEW & SECTION A-A



(Knob on pump may not be the same style as represented here. Replacement knobs will be this style.)

VIEW **A-A**

**Parts List, Form No. 101264, Back sheet 2 of 2**

Item No.	Part No.	No. Req'd	Description
1	*12223	1	Ball (3/16 Dia.)
2	215301	1	Pressure Decal
3	*14874	1	Soft Copper Washer (.700 X 1/2 X 1/32)
4	305975	1	Valve Screw (Torque to 350/370 in. lbs.)
5	*10444	2	Compression Spring (3/16 I.D. X 13/32 Lg.)
6	*10378	1	Steel Ball (3/8 dia.)
7	*211797	1	Spring (5/32 O.D. X 5/8 Lg.)
8	61295	1	Pump Body
9	*10375	1	Steel Ball (1/4 dia.)
10	350185	1	Release Valve Screw (Note: When ordering this part, also order nylon ball [Item #13], included in Repair Kit.)
11	*10267	1	O-ring (7/16 X 5/16 X 1/16, -011; Nitrile)
	18974	1	O-ring (7/16 X 5/16 X 1/16, -011; Viton)
	13472	1	O-ring (7/16 X 5/16 X 1/16, -011; EPR)
12	*15085	1	Backup Ring (7/16 X 5/16 X 3/64 Thk., -011)
13	*15528	1	Nylon Ball (Push in nylon ball until it bottoms out in hole. Permissible to flatten ball during installation.)
14	351087	1	Release Valve Knob (Note: Screw in valve stem until seated [bottomed out]. Then position knob as shown approx. 1/16" from casting surface. Lock in place with set screw.)
15	10556	2	Soc. Set Screw (1/4-20 UNC X 1/4 Lg.; Torque to 50/70 in. lbs.)

Part numbers marked with an asterisk (\*) are contained in Repair Kit No. 300450.

Refer to any operating instructions included with this product for detailed information about operation, testing, disassembly, reassembly, and preventive maintenance.

Items found in this parts list have been carefully tested and selected. **Therefore: Use only genuine Power Team replacement parts!**

Additional questions can be directed to our Technical Services Department.

Note: Shaded areas reflect last revision(s) made to this form.