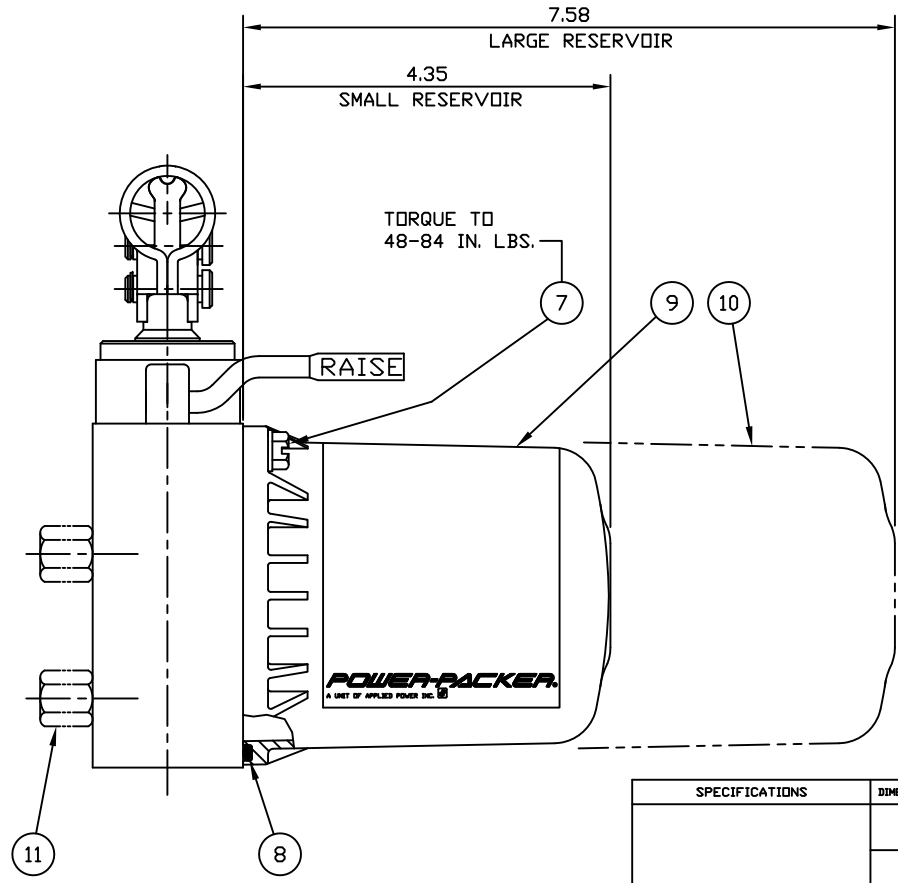
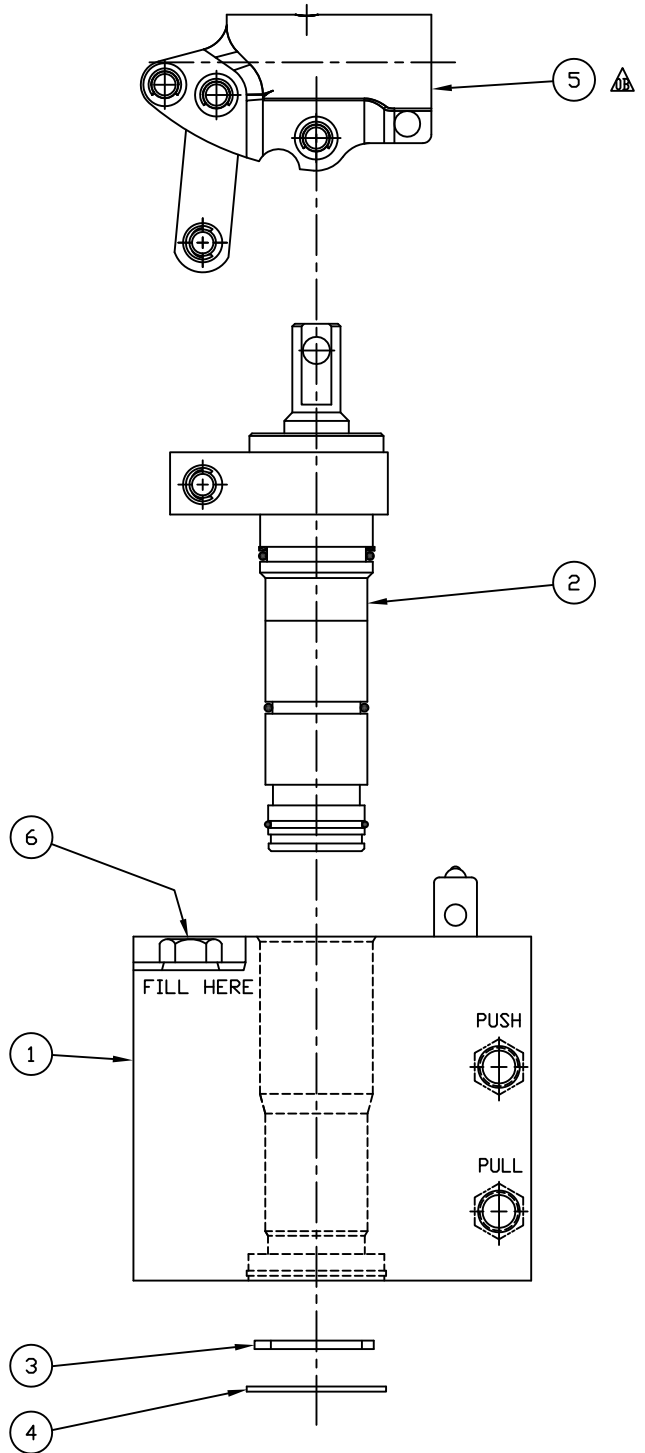


ITEM	SERVICE KIT	REQ'D NO.	DESCRIPTION
1	NOT SERVICED		PUMP BODY ASSEMBLY
2,3,4	KH5025	1	CYLINDER-INSERT ASSEMBLY
5	KH5027	1	BEAM-LINK ASSEMBLY
6	PP757900	1	FILL PLUG
7,8,9	KH5028	1	RESERVOIR - SMALL
7,8,10	KH5029	1	RESERVOIR - LARGE
11	PP754095	2	ADAPTER - SAE #4 TO .125-27NPTF

NOTE:
ITEM 2 IS SUPPLIED FULLY ASSEMBLED,
FACTORY TESTED, READY FOR INSTALLATION.



FOR HP5003XXXX MODELS

REVISED BEAM, PINS & CLIPS
ECO# 10-014-6 JJH
03/27/12
30435 RELEASED 3-1-94
ECO CHANGES DATE

SPECIFICATIONS		DIMENSIONS IN BRACKETS ARE IN DIM		POWER-PACKER A UNIT OF APPLIED POWER INC. (P)	
ALL ANGULAR DIMENSIONS ARE #1° UNLESS SPECIFIED		FINISH UNLESS SPECIFIED Ra μ [Rαμ m]		12801 WEST SILVER SPRING RD. BUTLER, WISCONSIN 53007	
SCALE 7:8	DR. DMS SCALE CH. MPJ	DATE 12/14/93	DATE 1-7-94	DESCRIPTION PUMP SERVICE DRAWING	
FILE NO. 000158				DRAWING NO. PSD 23	DWG. SIZE C