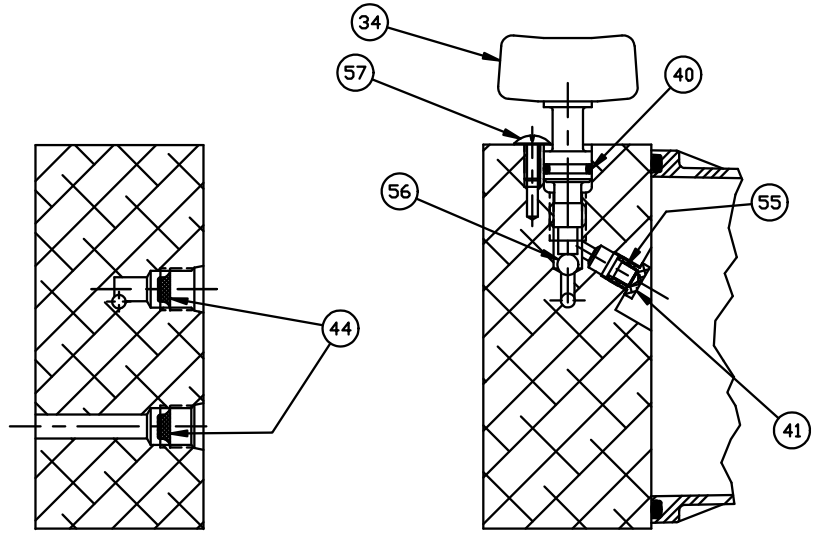


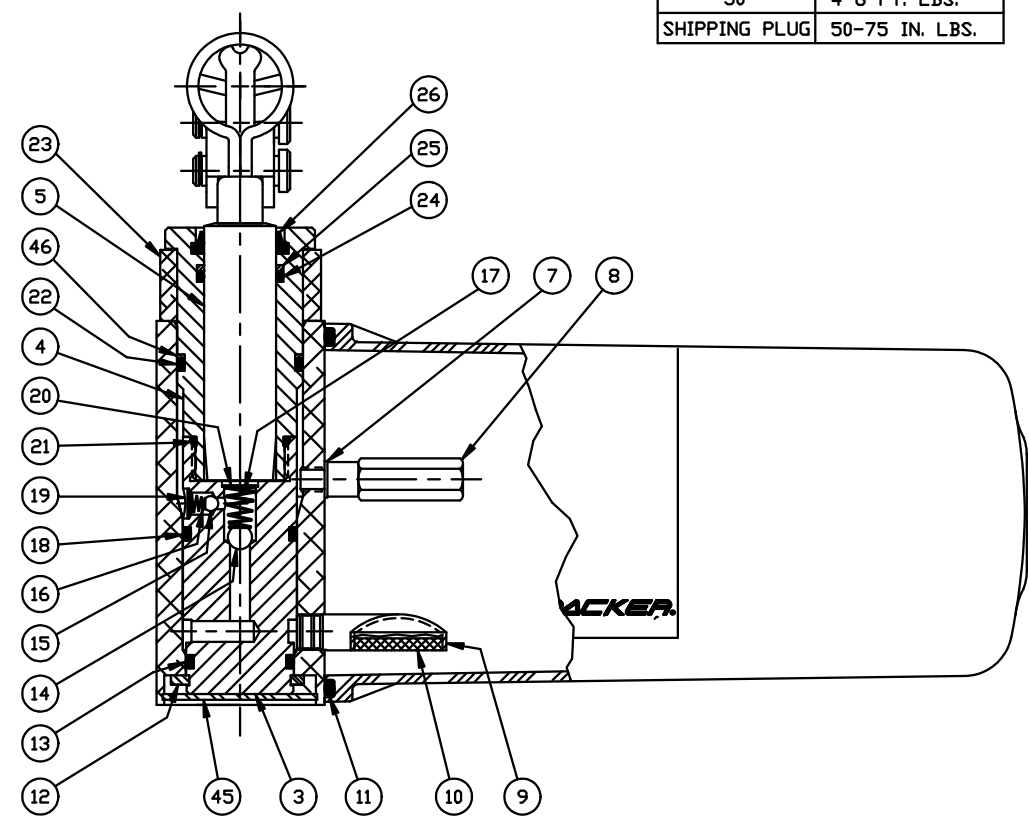
RELIEF VALVE SETTING	MARK LABEL-ITEM 43 SEE NOTE 1
4,700 - 5,000 PSI	HP50027203-XXXXXP

TORQUE TABLE	
ITEM NO.	TORQUE TD:
2	4-7 FT. LBS.
9	45-55 FT. LBS.
20	45-55 FT. LBS.
30	4-7 FT. LBS.
31	50-60 IN. LBS.
38	50-75 IN. LBS.
50	4-6 FT. LBS.
SHIPPING PLUG	50-75 IN. LBS.

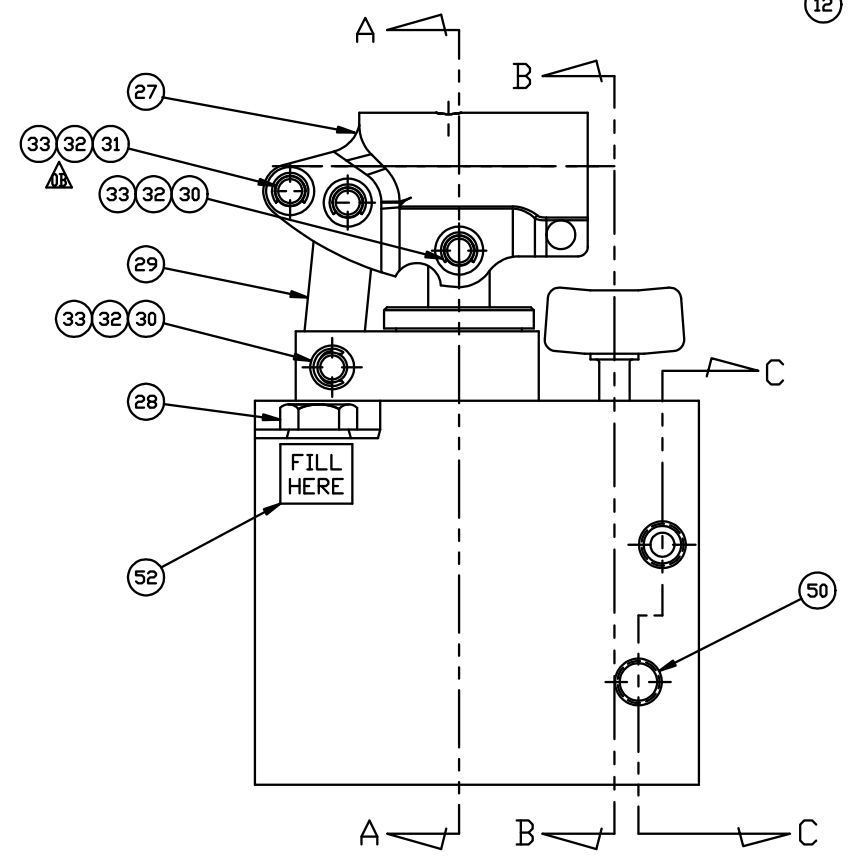
ITEM	PART NUMBER	QTY	DESCRIPTION
1	PP1222191	1	PUMP BODY
2	PP285025	1	LONG RESERVOIR
3	PP546225	1	INSERT
4	PP542030	1	CYLINDER
5	A8057051	1	PISTON
6	PP548042	4	SCREW
7	S3037	1	GASKET
8	PP733900	1	RELIEF VALVE ASM.
9	A8042038	1	INLET ADAPTER
10	A8021018	1	SCREEN
11	PP560523	1	O-RING
12	PP557049	1	RETAINING RING
13	B1022903	1	O-RING
14	B1007016	1	BALL .25 DIA.
15	B1004016	1	BALL .156 DIA.
16	A8234110	1	SPRING
17	A8103110	1	SPRING
18	B1120903	1	O-RING
19	PP555549	1	RETAINING RING
20	PP556549	1	RETAINING RING
21	B1020903	1	O-RING
22	B1122903	1	O-RING
23	PP535111	1	SWIVEL BRACKET
24	B1113903	1	O-RING
25	B1113565	1	BACK-UP WASHER
26	A8051476	1	WIPER
27	3010002303	1	BRACKET BEAM
28	PP757900	1	VENT PLUG
29	PP558062	1	LINK
30	PP553061	2	PIN, CLEVIS
31	PP554061	2	PIN, CLEVIS
32	PP551108	8	WASHER
33	PP552049	4	RETAINING RING
34	CL913900	1	RELEASE SPINDLE
40	B1007503	1	O-RING
41	PP1224828	1	ORIFICE, .312-24 UNF
43	PP180026	1	DECAL BLANK
44	A8001018	2	OIL STRAINER SCREEN
45	PP570098	1	COVER
46	B1122565	1	BACK-UP WASHER
49	PP780026	1	DECAL MASK
50	A8053006	1	PLUG
52	PP770226	1	LABEL
55	PP1554018	1	SCREEN
56	B1006016	1	BALL
57	PP1210042	1	TRUSS HD. MACH. SCR.
58	ATS515	A/R	ASM., & TEST SPEC.
59	KH5024	A/R	SERVICE KIT (.56)
60	KH5027	A/R	SERVICE KIT
61	KH5029	A/R	SERVICE KIT
62	KH5032	A/R	SERVICE KIT
63	PID360	A/R	INSTALL. DWG., HP50027203
64	PP584006	1	SHIPPING PLUG
65	PSD96	A/R	SERVICE DWG.



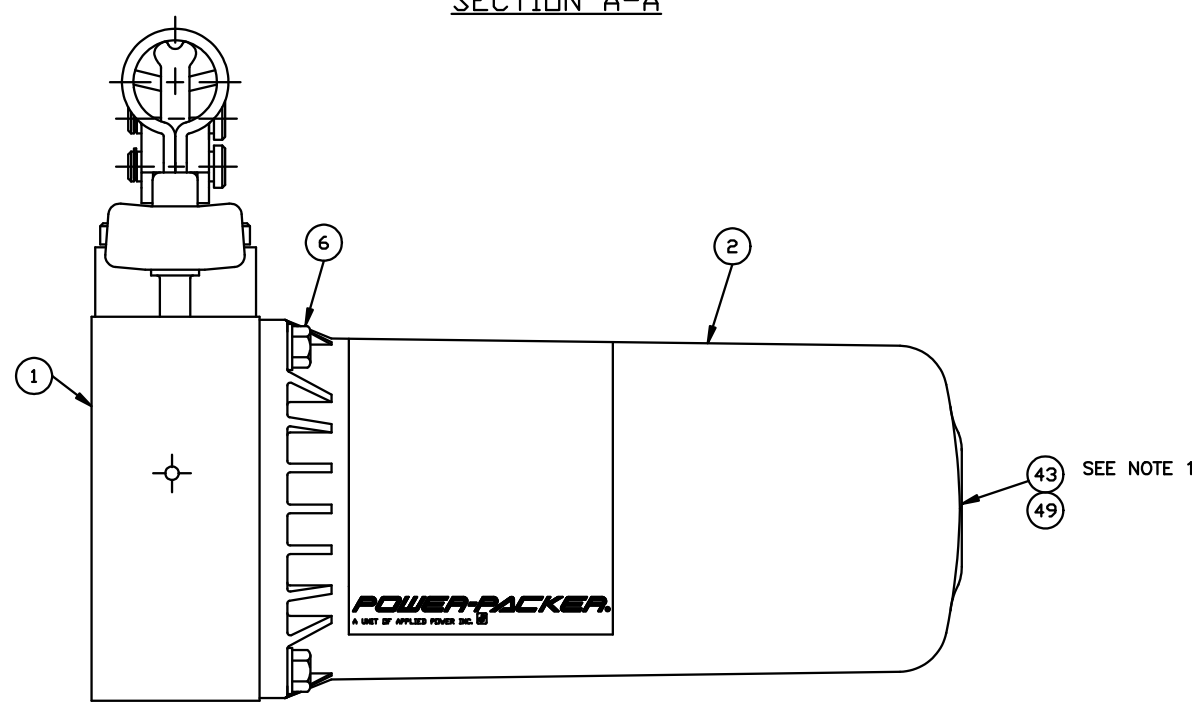
SECTION C-C SECTION B-B



SECTION A-A



A B C



TYPE B (LONG RESERVOIR)

NOTE:
1. MARK LABEL ITEM 43 PER TABLE.
XXX IS DATE CODE, DAY OF YEAR.

ITEM #27 3010002303 WAS PP566060
ITEM #30 PP553061 (2) REPT'D WAS (1)
ITEM #53 & 54 REMOVED
ITEM #32 PP551108 (8) REPT'D WAS (6)
ITEM #33 PP552049 (4) REPT'D WAS (3)
ECO# 10-014-2 JRM 10/19/92
RELEASED TO PROD.
ECO 31513 TRD 8/27/99

SYMBOL:	SPECIFICATIONS	DIMENSIONS IN BRACKETS ARE IN DWG UNLESS SPECIFIED	REV.	CHANGES
◆ KPC(S): QTY.(0) ◆ KPC SAFETY: QTY.(0) ○ BOM BALLOON: (3/8" ø) NATIVE GEOMETRY: <input type="checkbox"/> PRO/E: <input type="checkbox"/> CATIA: <input checked="" type="checkbox"/> ACAD: <input type="checkbox"/> OTHER:	SERIALIZED DIMENSIONS CHANGE TRIANGLE DIMENSIONS IN BRACKETS ARE IN DWG UNLESS SPECIFIED FULL DO NOT SCALE DRAWING DATE 8/27/99 DATE 8/27/99 DATE 8/27/99	FROM UNLESS SPECIFIED Roj. (Roj.m.) ALL ANGULAR DIMENSIONS ARE AS UNLESS SPECIFIED TITLE: UNIT, HAND PUMP, 4700-5000 PSI, 65 CUBIC INCH RESERV., .56Ø PISTON SCALE: FULL DO NOT SCALE DRAWING DATE 8/27/99 DATE 8/27/99 DATE 8/27/99	ECO# / DATE / INITIAL ECO# / DATE / INITIAL ECO# / DATE / INITIAL	ECO# / DATE / INITIAL ECO# / DATE / INITIAL ECO# / DATE / INITIAL
WHERE USED (REF) MODEL (REF) THIS FILE HP50027203 014032.dwg	DATE 8/27/99 DATE 8/27/99 DATE 8/27/99	DATE 8/27/99 DATE 8/27/99 DATE 8/27/99	DATE 8/27/99 DATE 8/27/99 DATE 8/27/99	DATE 8/27/99 DATE 8/27/99 DATE 8/27/99