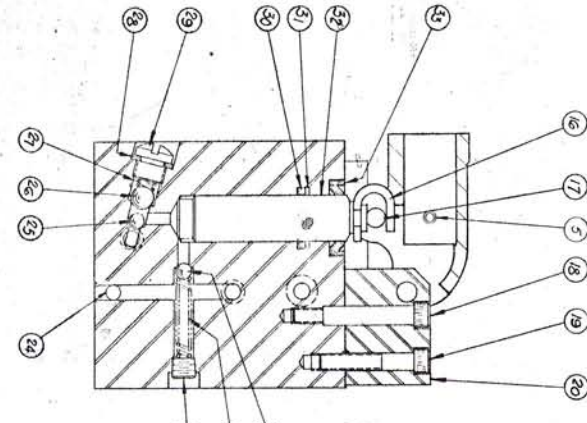
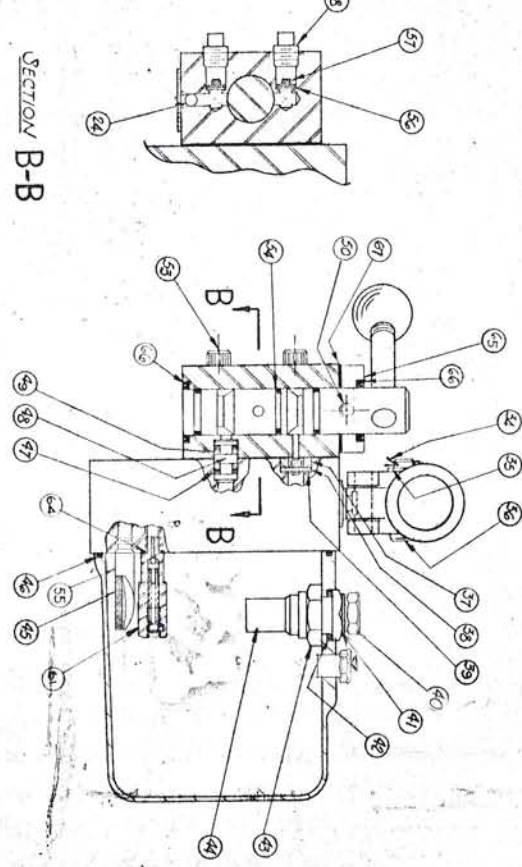


QTY	PART NUMBER	DESCRIPTION
1	60	RELIEF VALVE
1	61	COPPER GASKET
1	62	VENT FITTING
1	63	BALL PIN
1	64	BALL HEAD
1	65	SHOULDER SCREW
1	66	CAP SCREW
1	67	GASKET
1	68	VALVE PLUG
1	69	QUAD RING
1	70	BACK-UP WASHER
1	71	PISTON
1	72	OIL SEAL
1	73	COTTER PIN
1	74	WASHER
1	75	GLEEVIS PIN
1	76	DETENT
1	77	DETENT SPRING
1	78	DETENT PLATE

NOTE:
WHEN ORDERING, C949 900 (ITEM 61)
SPECIFY SECOND-SECOND PSI SETTING.
USE MIL-SPEC 5206 OIL OR EQUIV. ONLY



SECTION A-A

KH 3004-21-04 SOFT PARTS KIT
KH 1506-21-01 BEAM PIN KIT

QTY	PART NUMBER	DESCRIPTION
1	1	PUMP BODY
1	2	RELIEF VALVE
1	3	COPPER GASKET
1	4	VENT FITTING
1	5	BALL PIN
1	6	BALL HEAD
1	7	SHOULDER SCREW
1	8	CAP SCREW
1	9	GASKET
1	10	VALVE PLUG
1	11	QUAD RING
1	12	BACK-UP WASHER
1	13	PISTON
1	14	OIL SEAL
1	15	COTTER PIN
1	16	WASHER
1	17	GLEEVIS PIN
1	18	DETENT
1	19	DETENT SPRING
1	20	DETENT PLATE
1	21	VALVE PLUG
1	22	QUAD RING
1	23	BACK-UP WASHER
1	24	PISTON
1	25	OIL SEAL
1	26	COTTER PIN
1	27	WASHER
1	28	GLEEVIS PIN
1	29	DETENT
1	30	DETENT SPRING
1	31	DETENT PLATE
1	32	VALVE PLUG
1	33	QUAD RING
1	34	BACK-UP WASHER
1	35	PISTON
1	36	OIL SEAL
1	37	COTTER PIN
1	38	WASHER
1	39	GLEEVIS PIN
1	40	DETENT
1	41	DETENT SPRING
1	42	DETENT PLATE
1	43	VALVE PLUG
1	44	QUAD RING
1	45	BACK-UP WASHER
1	46	PISTON
1	47	OIL SEAL
1	48	COTTER PIN
1	49	WASHER
1	50	GLEEVIS PIN
1	51	DETENT
1	52	DETENT SPRING
1	53	DETENT PLATE
1	54	VALVE PLUG
1	55	QUAD RING
1	56	BACK-UP WASHER
1	57	PISTON
1	58	OIL SEAL

1	ITEM 34 WAS	B1222.503
2	ITEM 4 WAS	A8056.096
3	ITEM 1 WAS	A8056.096
4	ITEM 2 WAS	A8056.096
5	ITEM 3 WAS	A8056.096
6	ITEM 4 WAS	A8056.096
7	ITEM 5 WAS	A8056.096
8	ITEM 6 WAS	A8056.096
9	ITEM 7 WAS	A8056.096
10	ITEM 8 WAS	A8056.096
11	ITEM 9 WAS	A8056.096
12	ITEM 10 WAS	A8056.096
13	ITEM 11 WAS	A8056.096
14	ITEM 12 WAS	A8056.096
15	ITEM 13 WAS	A8056.096
16	ITEM 14 WAS	A8056.096
17	ITEM 15 WAS	A8056.096
18	ITEM 16 WAS	A8056.096
19	ITEM 17 WAS	A8056.096
20	ITEM 18 WAS	A8056.096
21	ITEM 19 WAS	A8056.096
22	ITEM 20 WAS	A8056.096
23	ITEM 21 WAS	A8056.096
24	ITEM 22 WAS	A8056.096
25	ITEM 23 WAS	A8056.096
26	ITEM 24 WAS	A8056.096
27	ITEM 25 WAS	A8056.096
28	ITEM 26 WAS	A8056.096
29	ITEM 27 WAS	A8056.096
30	ITEM 28 WAS	A8056.096
31	ITEM 29 WAS	A8056.096
32	ITEM 30 WAS	A8056.096
33	ITEM 31 WAS	A8056.096
34	ITEM 32 WAS	A8056.096
35	ITEM 33 WAS	A8056.096
36	ITEM 34 WAS	A8056.096
37	ITEM 35 WAS	A8056.096
38	ITEM 36 WAS	A8056.096
39	ITEM 37 WAS	A8056.096
40	ITEM 38 WAS	A8056.096
41	ITEM 39 WAS	A8056.096
42	ITEM 40 WAS	A8056.096
43	ITEM 41 WAS	A8056.096
44	ITEM 42 WAS	A8056.096
45	ITEM 43 WAS	A8056.096
46	ITEM 44 WAS	A8056.096
47	ITEM 45 WAS	A8056.096
48	ITEM 46 WAS	A8056.096
49	ITEM 47 WAS	A8056.096
50	ITEM 48 WAS	A8056.096
51	ITEM 49 WAS	A8056.096
52	ITEM 50 WAS	A8056.096
53	ITEM 51 WAS	A8056.096
54	ITEM 52 WAS	A8056.096
55	ITEM 53 WAS	A8056.096
56	ITEM 54 WAS	A8056.096
57	ITEM 55 WAS	A8056.096
58	ITEM 56 WAS	A8056.096

REMOVED BY
KH 1506-21-01
5-16-77

POWER PACKER: 3004-21-09
HP 3004-21-09
SERVISE
DRAWING