

# 3 TON SERVICE JACK

Stock Number W1617

## OWNERS MANUAL



Performance Tool®

### LIMITED WARRANTY

PERFORMANCE TOOL® extends only the following warranties, and only to original retail purchasers. These warranties give specific legal rights. Except where prohibited by local law, the law of the State of Washington governs all warranties and all exclusions and limitations of warranties and remedies. There may be other rights which vary from state to state.

PERFORMANCE TOOL® warrants the product to be free from defects in materials and workmanship under normal use and service. A defective product may be returned for a free replacement within 90 days from the date of purchase, provided that product is returned to place of purchase immediately after discovery of defect. After 90 days and up to one year from date of purchase, PERFORMANCE TOOL® will replace at no charge any parts which our examination shall disclose to be defective and under warranty. These warranties shall be valid only when a sales receipt showing the date of purchase accompanies the defective product or defective part (s) being returned. For part (s) after 90 days, please remit your request, postage prepaid to:

PERFORMANCE TOOL, P.O. Box 88259 Tukwila, WA 98138

These warranties exclude blades, bits, punches, dies, bulbs, fuses, hoses, and other consumables which must be replaced under normal use and service. These warranties shall not apply to any product or part which is used for a purpose for which it is not designed, or which has been repaired or altered in any way so as to affect adversely its performance or reliability, nor shall these warranties apply to any product or part which has been subject to misuse, neglect, accident or wear and tear incident to normal use and service.

PERFORMANCE TOOL® does not authorize any other person to make any warranty or to assume any liability in connection with its products.

Except for warranties of title and the limited express warranties set forth above, PERFORMANCE TOOL® makes no express or implied warranties of any kind with respect to its products. In particular, PERFORMANCE TOOL® makes no implied warranty of merchantability and no implied warranty of fitness for any particular purpose, except that for goods purchased primarily for personal, family or household use and not for commercial or business use. PERFORMANCE TOOL® makes an implied warranty of merchantability (and, if otherwise applicable, an implied warranty of fitness for a particular purpose), but only for the particular qualities or characteristics, and for the duration, expressly warranted above.

The laws on limitation of implied warranties may differ from state to state, so the above limitations may not apply in all cases.

PERFORMANCE TOOL® shall not be liable for consequential, incidental or special damages resulting from or in any manner related to any product, or to the design, use, or any inability to use the product. The sole and exclusive remedy for a defective product or part shall be the repair, or replacement thereof as provided above. The laws on limitation of remedies or on consequential, incidental or special damages may vary from state to state, so the above limitations may not apply in all cases.

© Copyright 2014 WILMAR CORPORATION, P.O. Box 88259 Tukwila, WA 98138

### ▲ WARNING

*It is the owner and/or operators' responsibility to study all WARNINGS, operating, and maintenance instructions contained on the product label and instruction manual prior to operation of this service jack. The owner/operator shall retain product instructions for future reference.*

*The owner and/or operator are responsible for maintenance, maintaining all decals or warning labels and while in use, maintaining the unit in good working order. If the owner and/or operator are not fluent in English, the product warnings and instructions shall be read and discussed with the operators' native language by the purchaser/owner or his designee. Make sure that the operator comprehends its contents. Safety information shall be emphasized and understood prior to usage. The service jack shall be inspected per the operating instructions.*

*Users of this service jack must fully understand these instructions. Each person operating this service jack must also be of sound mind and body and must not be under the influence of any substance that might impair their vision, dexterity, or judgment.*

*Protect yourself and others by observing all safety information.*

*Failure to comply with instructions could result in personal injury and/or property damage! If you encounter any problems or difficulties, please contact our customer service department at:*

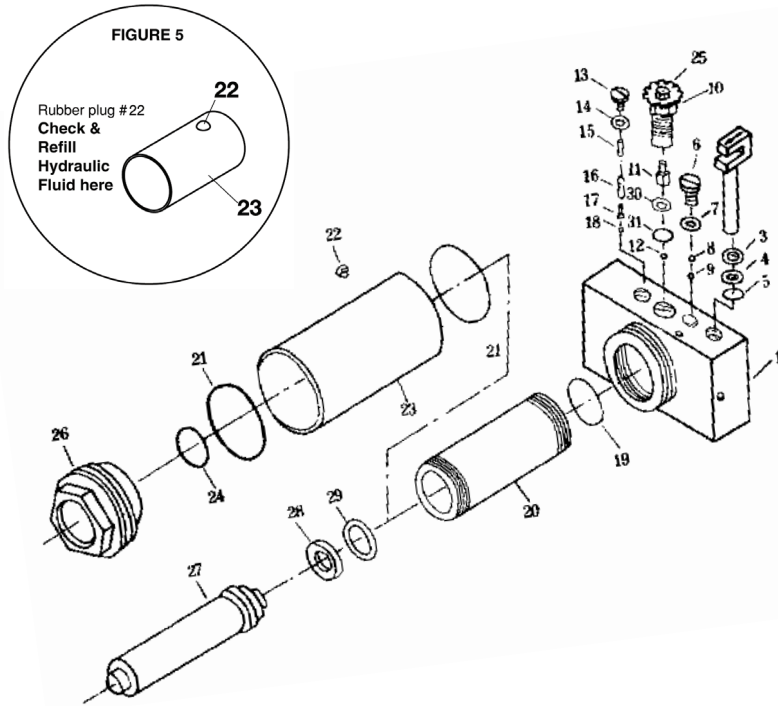
*1-800-426-1262 between 6:30 a.m. and 4:30 p.m. Pacific time.*

**PT**  
**Performance Tool®**

Please read these instructions carefully and retain them for future use.

On occasion, after printing of our literature is completed, our manufacturers may make changes and/or modifications to merchandise which will not be reflected in this manual. Although we strive to maintain complete and accurate information, it is possible in some instances, that the product may differ slightly from printed specifications. Illustrations are intended for reference only. Actual merchandise may vary. Wilmar is not responsible for typographical errors.

## REPLACEMENT PARTS LIST



### Ram Assembly Parts List

#	Description	Qty.	#	Description	Qty.	#	Description	Qty.
1	Valve Block	1	*12	Steel Ball	1	23	Reservoir	1
2	Pump Piston	1	*13	Plug Screw	1	*24	O-Ring	1
*3	Dust Seal	1	*14	Seal Washer	1	25	Release Valve Gear	1
*4	Back-up Ring	1	*15	Overload Valve Screw	1	26	Top Nut	1
*5	O-Ring	1	*16	Spring	1	27	Ram	1
*6	Plug Screw	1	*17	Spring Retainer	1	*28	O-Ring	1
*7	Washer	1	*18	Steel Ball	1	*29	Guide Plate	1
*8	Steel Ball	1	*19	O-Ring	1	*30	Stop Collar	1
*9	Steel Ball	1	20	Cylinder	1	*31	O-Ring	1
*10	Release Valve Assy.	1	*21	O-Ring	2			
*11	Actuator	1	*22	Oil Fill Plug	1			

\* Denotes item included in repair kit #W1617CK

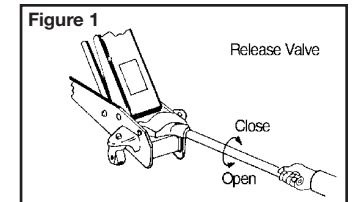
### Replacement parts available:

W1617CK	Ram Repair Kit	W1617-5	Handle Socket Bolt
W1617-1	Front Stationary Wheel	W1617-6	Torsion Spring
W1617-2	Rear Caster Wheel	W1617-7	Handle Assembly
W1617-3	Saddle	W1617-8	Handle Retaining Bolt
W1617-4	Release Valve Gear Set	W1617-9	Pump Piston

## OPERATION

### Before using your jack:

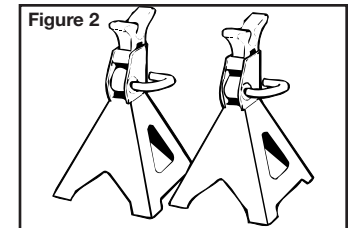
1. Turn release valve counter-clockwise to open. Pump jack handle about 6 full strokes to assure complete distribution of hydraulic fluid. (See Figure 1)



### To raise:

Turn release valve clockwise to close.

Make certain that load is on center of saddle. Pump the jack handle to raise load to desired height. Transfer load to jack stands or other appropriate supports before working under load. (See figure 2)

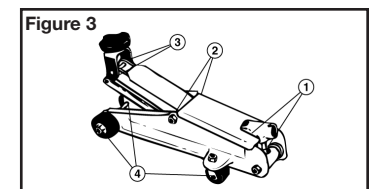


### To lower:

Raise load slightly to remove jack stands. **Slowly** turn release valve counter-clockwise just enough to allow controlled descent. (Never turn counter-clockwise more than 3 full turns)

## CARE & MAINTENANCE

1. When jack is not in use, lifting arm and handle sleeve should be in fully down position to keep their precision machined surfaces free from corrosion.
2. Keep jack clean and well lubricated. (See figure 3)
3. For best results, use only hydraulic fluid with a rating of SAE 10 for refills. Check fluid level with jack in fully down position. Fluid level should be 5mm below filler hole. (See figure 5)
4. Regularly check for loose, worn or damaged parts and repair or replace as necessary.





## SPECIFICATIONS

Capacity: ..... 6,000 lbs.  
 Low Height: ..... 5-1/2 in.  
 Max. Height: ..... 21-1/4 in.  
 Lift Range: ..... 15-1/2 in.

Specifications are subject to change without notice

## IMPORTANT SAFETY INFORMATION

Read these safety warnings before operation.

### WARNING!

Failure to heed these warnings may result in loss of load, damage to jack, and/or jack failure resulting in personal injury or property damage.

### WARNING!

This is a lifting device only. Do not move load while it is on the jack. Load must be supported immediately by Jack Stands or other appropriate means.

Do not overload jack beyond rated capacity. Overloading can cause damage to or failure of the jack.

REFER TO YOUR VEHICLE OWNERS MANUAL FOR PROPER JACKING PROCEDURES. Lift only on areas of the vehicle as specified by the vehicle manufacturer.

This jack is designed for use only on hard level surfaces capable of sustaining the load. Use of jack on other than hard level surfaces can result in jack instability and possible loss of load.

## TROUBLESHOOTING

Your Performance Tool hydraulic jack was constructed of quality materials and workmanship and will give you many years of trouble free use when cared for as described in the "Care & Maintenance" section on page 3. However, as with any mechanical device, periodic adjustments are necessary to maintain a peak level of performance. Should your jack be displaying any of the following symptoms, the simple procedures shown below will correct the problem.

Will not lift load	●	●	●
Will not hold load			●
Will not lift to full height	●	●	
Pump feels "spongy" under load	●	●	
Handle raises under load			●
Handle lowers under load			●
Power unit may be low on fluid. With jack on level surface and in down position, remove filler plug and add clean hydraulic jack fluid to level of filler hole.	Power unit may be airbound. Open the release valve a minimum of 2 full turns. Pump the handle a minimum of 20 full strokes to purge air from the system.	Valves may not be closing completely. To seat valves: a.) Close release valve. b.) With jack in fully lowered position, manually raise lifting arm as high as possible. c.) Open release valve and allow jack to descend to lowered position.	

### NOTE:

Problems listed above with more than one solution may have a combination of causes. Please be sure that all solutions listed for each problem have been checked to eliminate possibility of further trouble. Sometimes solutions may need to be repeated for best results.