

# POWER TEAM

SPX Corporation  
 2121 West Bridge Street  
 Owatonna, MN 55060 USA  
 Phone: (507) 455-7100  
 Tech. Services: (800) 477-8326  
 Fax: (800) 765-8326  
 Order Entry: (800) 541-1418  
 Fax: (800) 288-7031  
 International Sales: (507) 455-7150  
 Fax: (507) 455-7122



SPX Corporation  
 655 Eisenhower Drive  
 Owatonna, MN 55060-0995 USA  
 Phone: (507) 455-7000  
 Tech. Services: (800) 533-6127  
 Fax: (800) 955-8329  
 Order Entry: (507) 455-1480  
 Fax: (800) 283-8665  
 International Sales: (507) 455-7223  
 Fax: (507) 455-7746

Form No. 100611

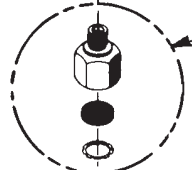
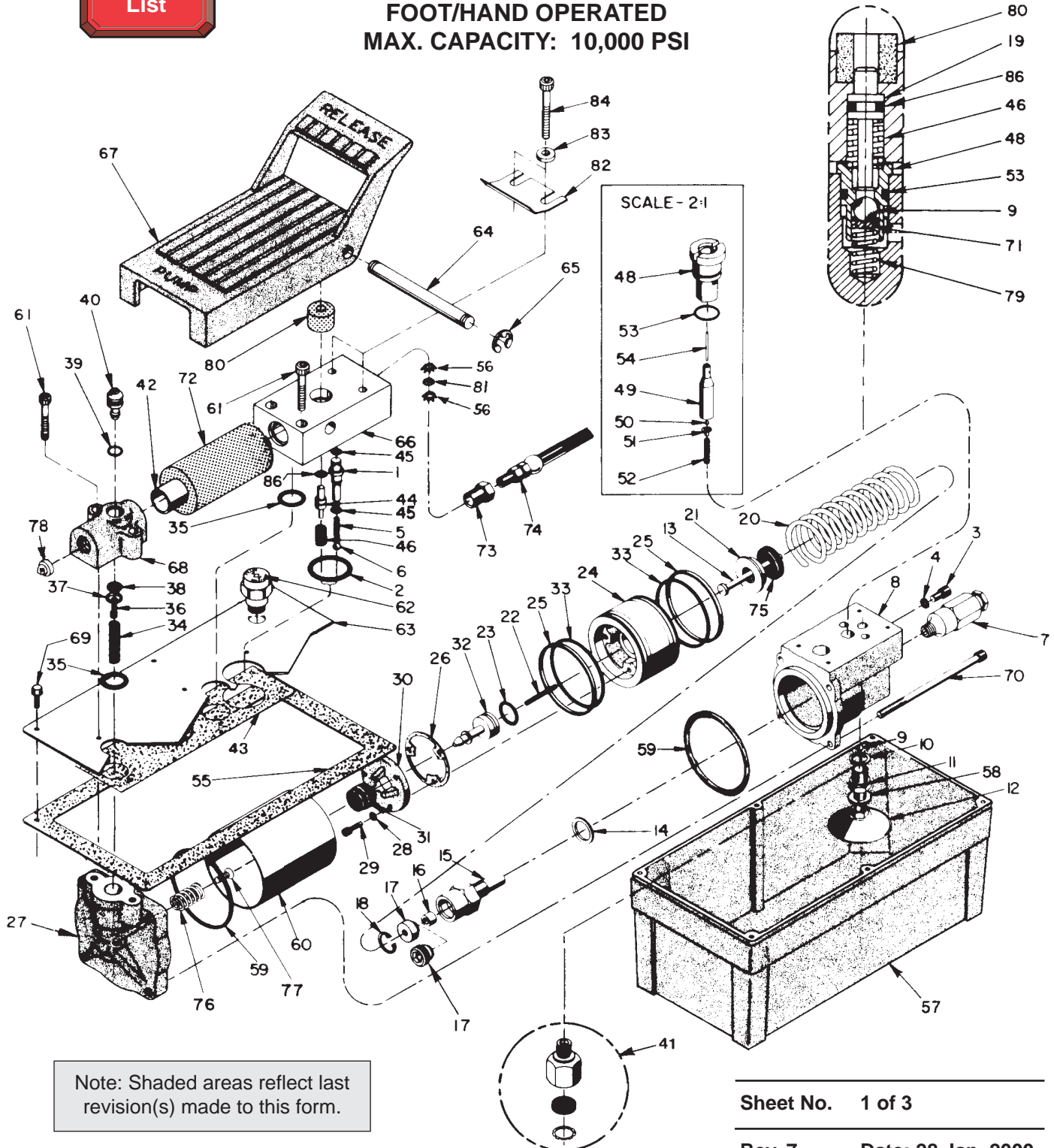
## Parts List for:

014-00088	203641-OTC	PA6-BPT	PA6V
4020	D-01021AA	PA6-CELETTE	PA50
4022	IMPERIAL CLE-	PA6-FACOM	PA50E
4023	VITE P131-10	PA6-LUAM	PA50N
4025	HA6	PA6E	PA50V
50621	PA6	PA6M	TO-9
99110	PA6-2	PA6M-CMI	Y12-HKP
203398	PA6-BPAK	PA6N	Y13
203641-HKP	PA6-BPAK-7	PA6S-BPT	PA6-HLIFT



## MODEL D AIR HYDRAULIC PUMP FOOT/HAND OPERATED MAX. CAPACITY: 10,000 PSI

For 4023, PA6-BPAK-7,  
 and PA6-BPAK only



OIL INTAKE KIT

Sheet No. 1 of 3

Rev. 7 Date: 28 Jan. 2000

# Parts List, Form No. 100611, Back sheet 1 of 3

Item No.	Part No.	No. Req'd	Description
1	34378	1	Check Valve Body
2	*251215	1	O-ring (1-1/2" X 1-1/4" X 1/8)
	●251216	1	O-ring (1-1/2" X 1-1/4" X 1/8)
	◆251212	1	O-ring (1-1/2" X 1-1/4" X 1/8)
3	10002	1	Cap Screw (1/4-20 X 3/8 Lg.; Torque to 90/100 in. lbs.)
4	◆●*10442	1	Copper Washer (3/8 X 1/4 X 1/32)
5	10445	1	Compression spring (.164 O.D. X 23/32 Lg.)
6	◆●*10423	1	Steel Ball (9/32 Dia.)
7	21278	1	Relief Valve Ass'y - 10,000 PSI
	21278-32	1	Relief Valve Ass'y - 3,200 PSI (For 4023 and PA50)
	21278-48	1	Relief Valve Ass'y - 5,000 PSI (For PA6-BPT)
	21278-52	1	Relief Valve Ass'y - 5,200 PSI (For PA6-BPAK)
	21278-65	1	Relief Valve Ass'y - 7,000 PSI (For PA6-BPAK-7)
	21278-70	1	Relief Valve Ass'y - 7,000 PSI (For 203641-HKP & PA6-HLIFT)
	21278-83	1	Relief Valve Ass'y - 8,300 PSI (For TO-9)
	21278-86	1	Relief Valve Ass'y - 8,600 PSI (For 50621)
8	50494	1	Pump Body
9	◆●*10375	1	Steel Ball (1/4 Dia.)
	10423	1	Steel Ball (9/32 Dia.; Used with 2 gal. res.)
	◆●*10375	2	Steel Ball (1/4 Dia.; For 4023 and PA50)
10	◆●*10261	1	Copper Washer (3/4 X 19/32 X 1/32)
11	33848	1	Filter Adapter, Short (Torque to 40/50 ft. lbs. oiled)
	37722	1	Filter Adapter, Long (Used with 2 gal. res.; torque to 40/50 ft. lbs. oiled)
12	29682	1	Filter Assembly
13	28226	1	Piston
	28400	1	Piston (For 4023 and PA50)
14	◆●*10263	1	Copper Washer (1" X 49/64 X 1/32)
15	45278	1	Cylinder (Torque to 90/100 ft. lbs. oiled)
	33959	1	Cylinder (Torque to 90/100 ft. lbs. oiled; for 4023 and PA50)
16	◆●*13934	1	U-cup (1/2 X 1/4 X 1/4)
	◆●*253095	1	U-cup (For 4023 and PA50)
17	◆●*304295	1	Retainer Nut (See "INSTRUCTIONS FOR RETAINER REPLACEMENT" on back sheet 3 of 3)
	202624	1	Retainer (For 4023 and PA50)
18	◆●*11034	1	Retaining Ring (For 4023 and PA50)
19	29365	1	Release Valve Button (For 4023, PA50, PA6-BPAK & PA6-BPAK-7)
	28227	1	Release Valve Button (For PA6-HLIFT)
20	◆●*13938	1	Compression Spring (1-3/16" O.D. X 5" Lg.)
21	210994	1	Spring Guide
	211082	1	Spring Guide (For 4023 and PA50)
22	◆●*12692	1	Spring (3/16 O.D. X 1-1/2" Lg.)
23	*211052	1	O-ring (.900 X .706 X .097)
	●250192	1	O-ring (.900 X .706 X .097)
	◆250193	1	O-ring (.900 X .706 X .097)
24	52390	1	Piston Body
25	◆●*14265	2	Piston Ring
26	◆●*28239	1	Gasket
27	51480	1	Rear Head
28	10241	3	Lockwasher (#10)
29	211054	3	Soc. Hd. Cap Screw (#10 - 24 X 1/2 Lg.; Torque to 50/55 in. lbs.)
30	33822	1	Piston End Plate
31	◆●*28183	1	Piston Poppet
32	305475	1	Exhaust Valve Stem
33	*251835	2	O-ring (2-1/2" X 2-5/16" X 3/32)
	●11446	2	O-ring (2-3/8" X 2-3/16" X 3/32)
	◆212888	2	O-ring (2-3/8" X 2-3/16" X 3/32)



Note: Shaded areas reflect last revision(s) made to this form.

**NOTE:** Part numbers marked with an asterisk (\*) are included in Standard Repair Kit No. 300433.  
 Part numbers marked with a bullet (●) are contained in Viton Seal Kit No. 300649.  
 Part numbers marked with a diamond (◆) are contained in EPR Seal Kit No. 300650.  
 Part numbers marked with a dagger (†) are included in Release Valve Repair Kit No. 200383.

Continued on Next Page

Item No.	Part No.	No. Req'd	Description
34	12691	1	Compression Spring (3/8 O.D. X 1-1/2" Lg.)
35	*251214	2	O-ring (1" X 3/4 X 1/8)
	●251217	2	O-ring (1" X 3/4 X 1/8)
	◆251213	2	O-ring (1" X 3/4 X 1/8)
36	13936	1	Soc. Hd. Cap Screw (#8-32 X 1/4 Lg.)
37	28198	1	Seal Guide
38	◆●*28182	1	Air Valve Poppet
39	*10267	1	O-ring (7/16 X 5/16 X 1/16)
	●18974	1	O-ring (7/16 X 5/16 X 1/16)
	◆13472	1	O-ring (7/16 X 5/16 X 1/16)
40	33841	1	Actuator Button
41	250269	1	Oil Intake Kit (Includes adapter, filter, & retaining ring; Torque to 40/50 ft. lbs. oiled)
42	28387	1	Muffler
43	◆●*34283	1	Gasket
44	28227	1	Release Valve Button
45	*12522	2	O-ring (3/8 X 1/4 X 1/16; Urethane)
	●11438	3	O-ring (3/8 X 1/4 X 1/16)
	◆17715	3	O-ring (3/8 X 1/4 X 1/16)
46	13944	1	Compression Spring (3/8 O.D. X 1/2 Lg.)
	251297	1	Compression Spring (3/8 O.D. X 1/2 Lg.; For PA6-BPAK PA6-BPAK-7 & PA6-HLIFT)
48	†34377	1	Poppet Retainer
49	†29037	1	Release Valve Poppet
50	†◆●*14443	1	Steel Ball (3/32 Dia.)
51	†209736	1	Ball Retainer
52	†13959	1	Compression Spring (1/8 O.D. X 1/2 Lg.)
53	†*15279	1	O-ring (1/2 X 3/8 X 1/16)
	●19775	1	O-ring (1/2 X 3/8 X 1/16)
	◆17716	1	O-ring (1/2 X 3/8 X 1/16)
54	†13937	1	Dowel Pin (1/16 dia. X 5/8 Lg.)
55	◆●*33853	1	Reservoir Gasket (For 2 gal. reservoir gasket see sheet 3 of 3)
56	◆●*11088	2	Retaining Ring
57	61243	1	Plastic Reservoir
	45846	1	Metal Reservoir (For PA6-LUAM)
	--	1	Reservoir, 2 Gal. (See sheet 3 of 3)
	41300RE2	1	Metal Reservoir (For PA6-FACOM)
	41300WH2	1	Metal Reservoir (For PA6M, PA6M-CMI, & 4025)
58	210923	1	Washer (For all model except PA6M-CMI)
59	◆●*17429	2	Backup Ring
60	37434	1	Air Cylinder (Locate groove toward top near cover plate)
61	11151	4	Soc. Hd. Cap Screw (#10-24 X 1-1/4" Lg.; Torque to 50/60 in. lbs.)
62	◆●*20937S	1	Vent Filler Cap Ass'y
63	45840BK2	1	Cover Plate (For 2 gal. reservoir cover plate see sheet 3 of 3)
64	28386	1	Pin
	215709	1	Pin (For PA6-BPT, PA6-BPAK, PA6-BPAK-7, PA6-HLIFT)



**NOTE:** Part numbers marked with an asterisk (\*) are included in Standard Repair Kit No. 300433.  
 Part numbers marked with a bullet (●) are contained in Viton Seal Kit No. 300649.  
 Part numbers marked with a diamond (◆) are contained in EPR Seal Kit No. 300650.  
 Part numbers marked with a dagger (†) are included in Release Valve Repair Kit No. 200383.

Continued on Next Page

Note: Shaded areas reflect last revision(s) made to this form.

# Parts List, Form No. 100611, Back sheet 2 of 3

Item No.	Part No.	No. Req'd	Description
65	11032	2	Retaining Ring
66	52381	1	Release Valve Body
	58453	1	Release Valve Body (For PA6-BPAK, PA6-BPAK-7 & PA6-HLIFT)
67	41322	1	Foot Pedal
	47696	1	Pedal (For PA6-BPT)
	47696BK2	1	Pedal (For PA6-BPAK, PA6-BPAK-7 & PA6-HLIFT)
68	33843	1	Intake Air Valve Body (For Y13 and PA6M-CMI only)
	37199	1	Intake Air Valve Body (For all except Y-13 and PA6M-CMI)
69	211060	6	Screw (Torque to 25/30 in. lbs.)
	211060	10	Screw (Torque to 25/30 in. lbs.; For PA6S-BPT, PA6-BPAK & PA6-HLIFT)
	14456	6	Screw (Torque to 25/30 in. lbs.; For PA6-LUAM, PA6M, PA6M-CMI, & 4025)
70	17428	4	Soc. Hd. Cap Screw (1/4-20 X 3-1/2" Lg.; Torque to 85/95 in. lbs. oiled. Note: Cross torque in increments of 30 in. lbs.)
71	25685	1	Ball Retainer (For 4023, PA6-BPAK and PA50)
72	◆●*29992	1	Foam Tube
73	12203	1	Reducing Bushing (For PA6-BPT; For additional parts, see sheet 3 of 3)
74	36886	1	Hose Ass'y (For 50621)
75	203143	1	Bumper (All except Y13, 4023 & PA50)
	202613	1	Bumper (For 4023 & PA50)
76	◆●*205679	1	Spring
77	◆●*205674	1	Cap Screw (Torque to 12/18 in. lbs.)
78	◆●*216296	1	Filter Disc
79	14624	1	Compression Spring (1/4 O.D. X 3/4 Lg.; For 4023 & PA50)
80	◆●*206504	1	Foam Tube
	15620	1	Shaft Seal (For PA6-BPAK, PA6-BPAK-7 & PA6-HLIFT)
81	◆●*250638	1	Filter Disc (Assemble with coarse side of screen towards the pump body.)
82	302466	1	Spring Clip (Not supplied with all models)
83	11089	2	Washer
84	11435	2	Soc. Hd. Cap Screw (#10-24 X 1-3/4" Lg.; Torque to 50/60 in. lbs.)
86	10266	1	O-ring (3/8 X 1/4 X 1/16)

### PARTS INCLUDED BUT NOT SHOWN

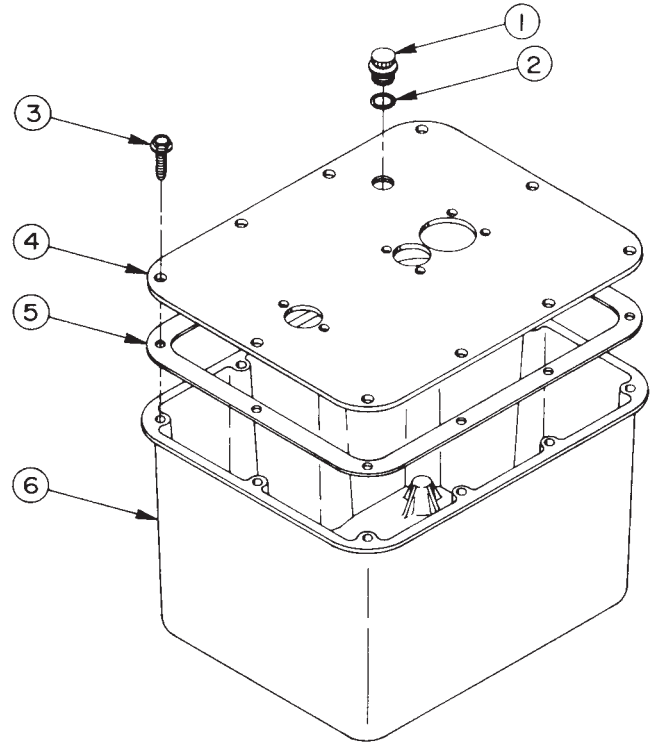
16232	1	Oil Level Plug (For PA6-LUAM)
201829	1	Service Decal (For 014-00088)
305742	1	Important Decal (For PA6-2, 203641-OTC, PA6-BPT)
◆●*305494	1	Important Decal (For 203398, TO-9, P-131-10, PA6-CELLETTE, HA6, PA6-LUAM, Y12-HKP, PA6S-BPT, PA6-BPAK, PA6-BPAK-7, 203641-HKP & PA6-HLIFT)
13612	2	Trade Name Decal (For 014-00088)
305847	2	Trade Name Decal (For PA6-2)
305496	1	Trade Name/Important Decal (For PA6, PA6M, PA6M-CMI, & PA50)
305495	1	Trade Name/Important Decal (For 4020, 4023, 50621, Y13, & 4025)
11485	2	Trade Name Decal (For TO-9)
210854	1	Trade Name Decal (For HA6)
305867	2	Trade Name Decal (For 4022)
14408	1	Trade Name Decal (For 203641-HKP)
211962	1	Trade Name Decal (Imperial Clevite P131-10)
211929	1	Trade Name Decal (For 99110)
●205724	1	Decal (Viton Seals)
◆250328	1	Decal (EPR Seals)



**NOTE:** Part numbers marked with an asterisk (\*) are included in Standard Repair Kit No. 300433.  
 Part numbers marked with a bullet (●) are contained in Viton Seal Kit No. 300649.  
 Part numbers marked with a diamond (◆) are contained in EPR Seal Kit No. 300650.  
 Part numbers marked with a dagger (†) are included in Release Valve Repair Kit No. 200383.

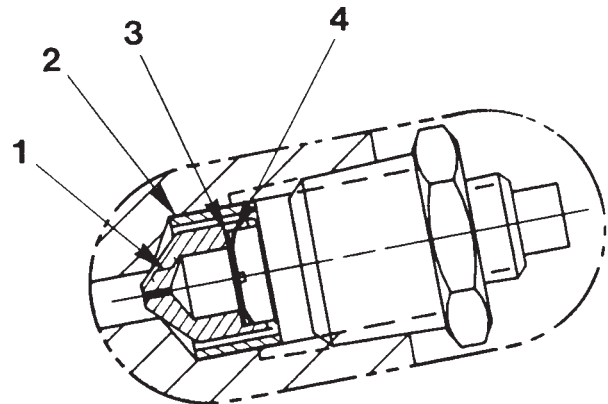
## TWO GALLON RESERVOIR ASSEMBLY

Item No.	Part No.	No. Req'd	Description
1	24132	1	Filler Cap
2	17120	1	O-ring (3/4 X 1/2 X 1/8)
3	209799	10	Self-tapping Machine Screw (1/4-10 X 7/8 Lg.)
4	51031BK2	1	Cover Plate
5	40164	1	Cover Plate Gasket
6	61165	1	Reservoir



## OPTIONAL RESTRICTOR VALVE ASSEMBLY (FOR PA6-BPT ONLY)

Item No.	Part No.	No. Req'd	Description
1	215868	1	Poppet
2	214583	1	Sleeve
3	214596	1	Filter Disc
4	12201	1	Retaining Ring



Refer to any operating instructions included with this product for detailed information about operation, testing, disassembly, reassembly, and preventive maintenance.

Items found in this parts list have been carefully tested and selected. **Therefore: Use only genuine replacement parts!**

Additional questions can be directed to our Technical Services Department.

## INSTRUCTIONS FOR RETAINER REPLACEMENT

Your pump's retainer is locked into place by one of the two following methods. Determine which method was used on your pump's retainer, then follow the appropriate steps to remove the old and install and stake the new.

### **Method 1 - Retainer shows no sign of stake marks**

1. This retainer has been locked in place with a Loctite product. To replace it, a moderate amount of heat needs to be applied to the cylinder nut (in the area of the retainer) to soften the existing Loctite allowing it to be removed.
2. Install the new retainer into the cylinder nut and torque to 80/100 in. lbs. **Note: Do not use a Loctite product this time but stake the new retainer in place according to instructions in Step 3.**
3. To lock retainer into place, use a center punch positioned in the seam between the retainer and the cylinder nut and stake the new retainer in two places approximately 180° apart.

### **Method 2 - Retainer has two stake marks in the seam between the retainer and the cylinder nut**

1. For replacement of this retainer, the stake marks must be removed. Using a 1/8" or larger diameter drill bit, remove the existing stakes by drilling a short distance into the stake marks. Remove the retainer.
2. Install the new retainer into the cylinder nut and torque to 80/100 in. lbs.
3. To lock retainer into place, use a center punch positioned in the seam between the retainer and the cylinder nut and stake the new retainer in two places approximately 180° apart.

**NOTE: Do not stake in the old stake marks.**