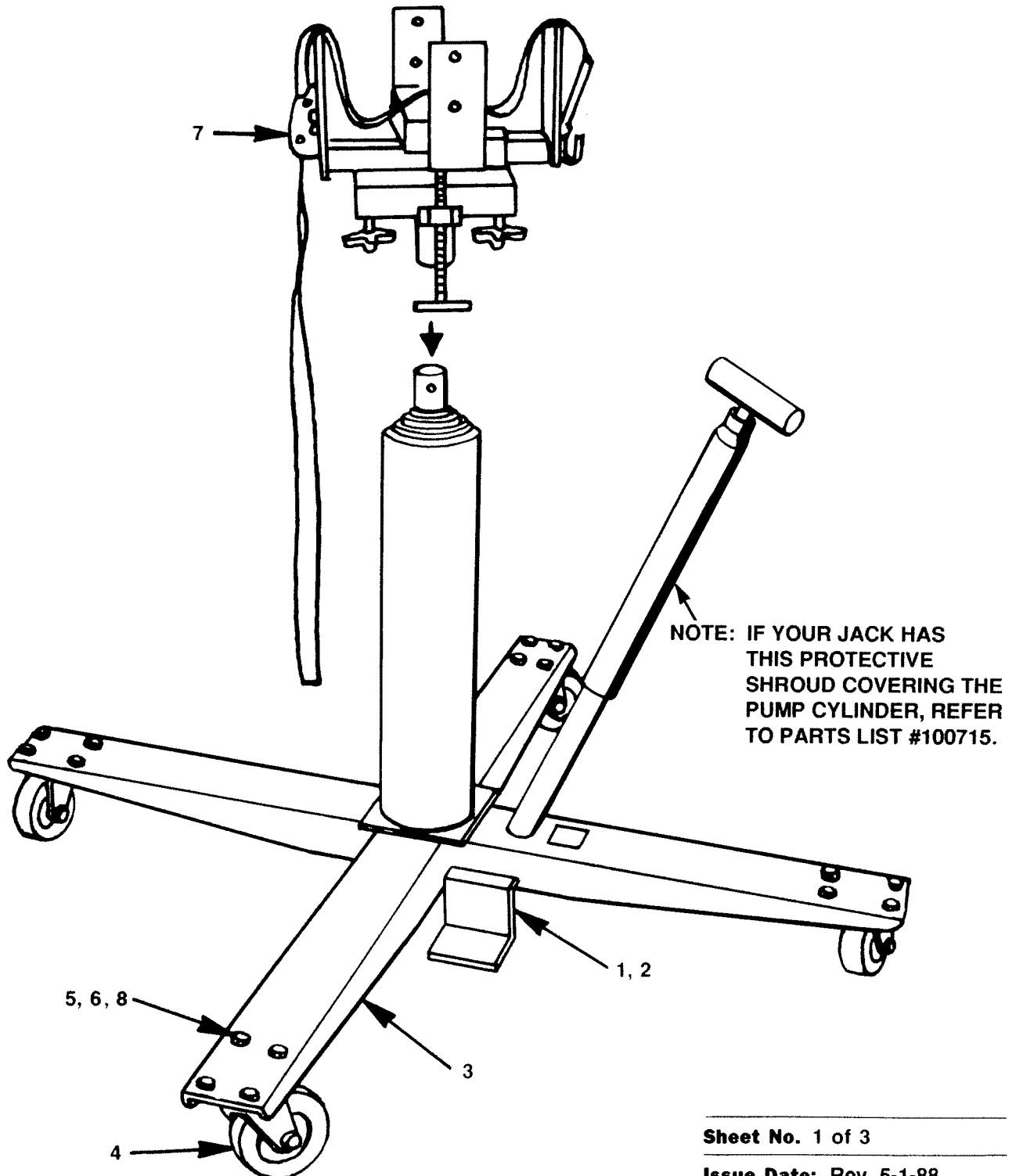


OTCOTC
Owatonna, MN 55060
(507) 455-7000 Telex: RCA 201674Industrial DivisionOrder Entry: 451-7502
Technical Services: 455-7288Tool & Equipment DivisionOrder Entry: 455-1480
Technical Services: 451-5860**Parts List**014-00210
1785-A
60731**Form No. 100395****HIGH-LIFT TRANSMISSION JACK**CAPACITY: FIRST STAGE — 1,000 LBS. MAX.
SECOND STAGE — 750 LBS. MAX.

Sheet No. 1 of 3

Issue Date: Rev. 5-1-88

Parts List

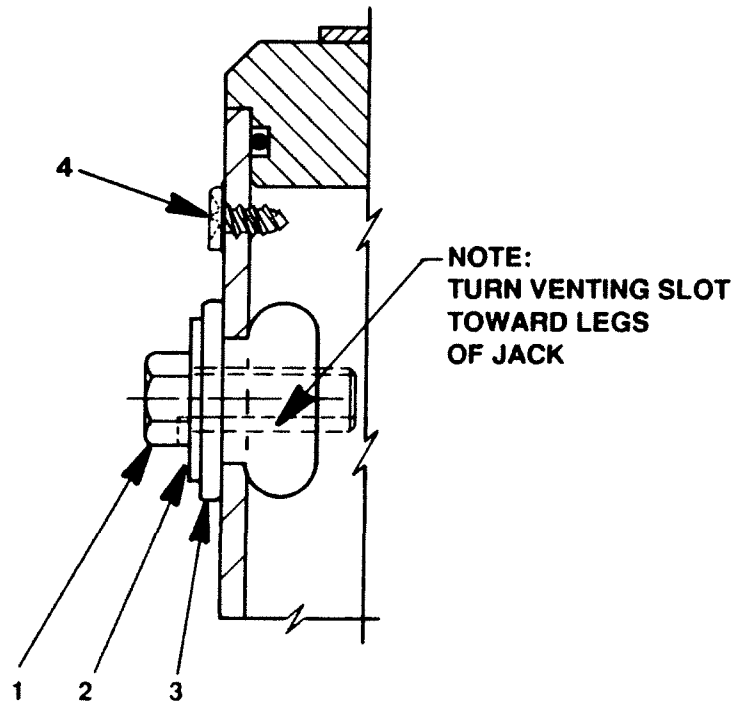
Item No.	Part No.	No. Req'd	Description
1	10006	2	Soc. Hd. Cap Screw (Torque to 55/65 in. lbs.)
2	37179	1	Release Valve Pedal
3	60389-BL2	1	Leg Weldment (For 1785-A)
	60389-RE2	1	Leg Weldment (For 014-00210 & 60731)
4	214486	4	Swivel Caster
5	11858	16	Hex Hd. Cap Screw
6	10201	16	Hex Nut
7	60395	1	Transmission Adapter
8	10257	32	Washer (Install between casters and frame)

PARTS INCLUDED BUT NOT SHOWN

11280	1	Decal, Trade Name (For 1785-A)
39522*	1	Decal, Caution

* Items marked with an asterisk (*) are contained in Repair Kit No. 300492.

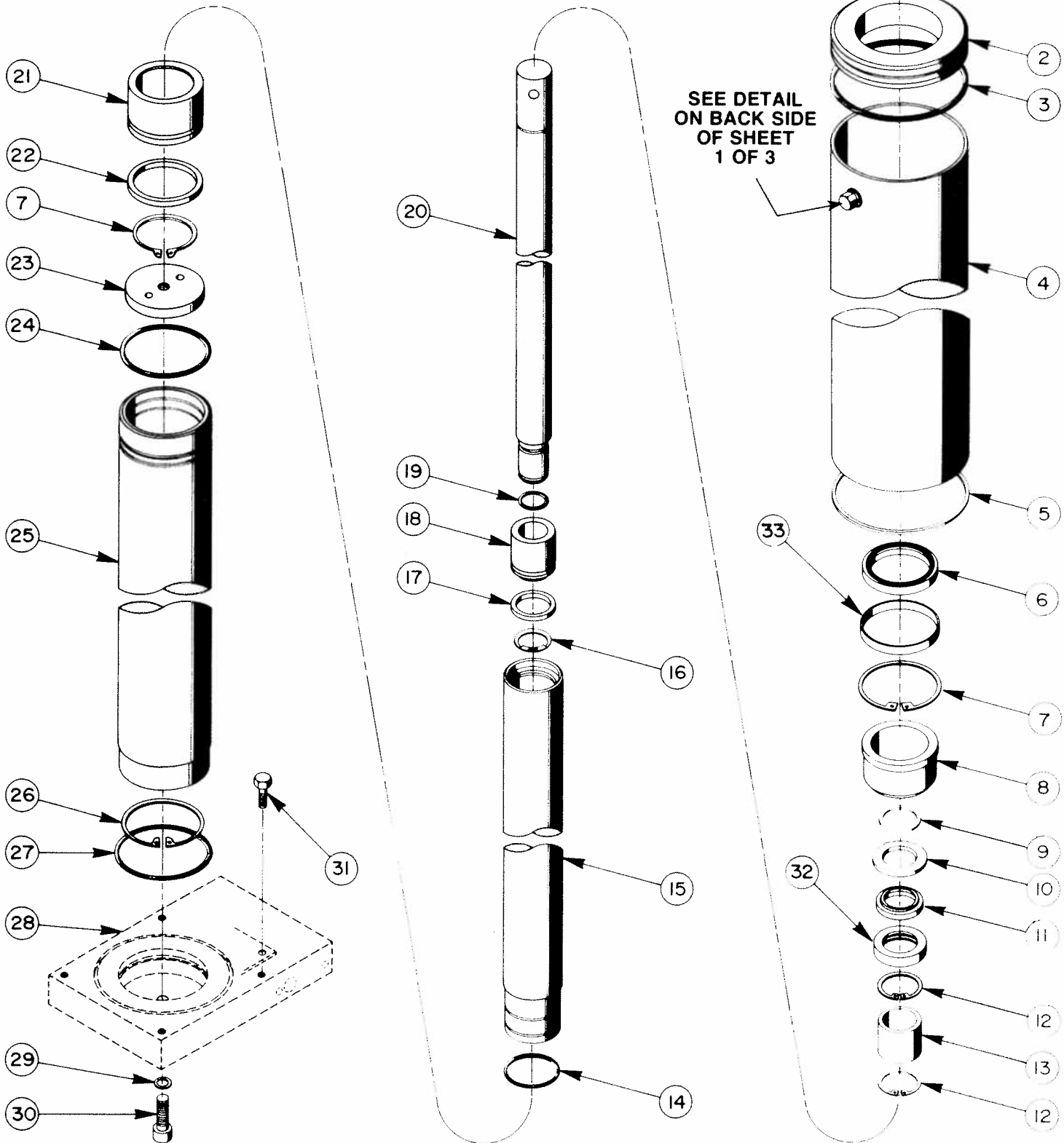
RESERVOIR PLUG DETAIL



Item No.	Part No.	No. Req'd	Description
1	214996*	1	Special Screw
2	10231	1	Wrought Washer
3	205580	1	Rubber Expansion Plug
4	11051*	1	Screw

* Items marked with an asterisk (*) are contained in Repair Kit No. 300492.

JACK ASSEMBLY

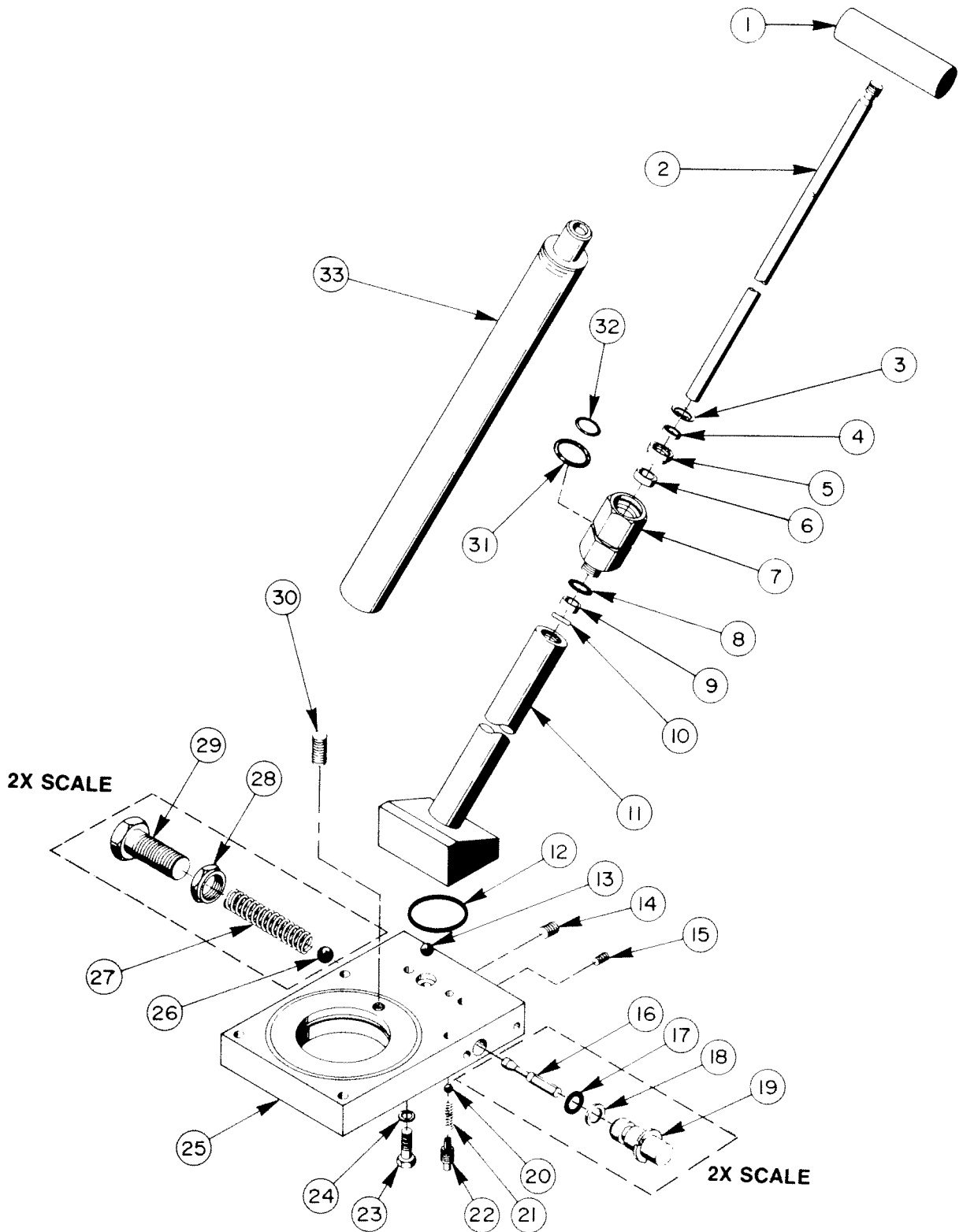


Parts List

Item No.	Part No.	No. Req'd	Description
1	17230	1	Retaining Ring
2	37140	1	Reservoir Cap
3	10858*	1	"O" Ring
4	37138	1	Reservoir Tube
5	17047*	1	Back Up Washer
6	215023*	1	Seal (Install spring up)
7	14365	2	Internal Retaining Ring
8	39478	1	Bushing
9	16250	1	Inverted External Retaining Ring
10	203559	1	Special Washer
11	215022*	1	Seal (Install lip up)
12	17228	2	Retaining Ring
13	203055	1	Bushing
14	18669*	1	"O" Ring
15	43819	1	Small Cyliner
16	15673	1	Inverted External Retaining Ring
17	212021*	1	"U" Cup
18	39449	1	Bushing
19	10658*	1	"O" Ring
20	43818	1	Rod
21	39469	1	Bushing
22	19570*	1	"U" Cup
23	203056	1	Cylinder End
24	12504*	1	"O" Ring
25	43823	1	Large Cylinder
26	205738	1	External Retaining Ring
27	11520*	1	"O" Ring
28	51021	1	Base
29	12042*	1	Copper Washer
30	10050	1	Soc. Hd. Cap Screw (Torque to 35/45 ft. lbs.)
31	11858	4	Hex Hd. Cap Screw
32	215020*	1	Seal Retainer
33	215021*	1	Seal Retainer

* Items marked with an asterisk (*) are contained in Repair Kit No. 300492.

BASE ASSEMBLY



Parts List

Item No.	Part No.	No. Req'd	Description
1	203061	1	"T" Handle
2	37182	1	Pump Rod
3	12994	1	Internal Retaining Ring
4	17200*	1	Rod Wiper Seal
5	205657*	1	Seal Retainer
6	205656*	1	"U" Cup Packing
7	37183*	1	Cylinder Pump End
8	10653*	1	"O" Ring Packing
9	203560*	1	Special Washer
10	17051	1	Dowel Pin
11	203057	1	Pump Assembly Cylinder
12	11303*	1	"O" Ring Packing
13	10379	1	Steel Ball — 1/2 Dia. (Seat at Assembly)
14	16232	1	Pressure Plug
15	10479	1	Pressure Plug
16	203060	1	Metering Stem
17	10266*	1	"O" Ring
18	12184*	1	Back Up Washer
19	203059	1	Plunger Assembly
20	14476	1	Steel Ball — 1/32 Dia. (Seat at Assembly)
21	17040	1	Compression Spring
22	204231	1	Plug Assembly
23	10036	2	Hex Hd. Cap Screw (Torque to 105/115 in. lbs.)
24	10257	6	Washer
25	51021	1	Base
26	10377	1	Steel Ball — 5/16 Dia. (Seat at Assembly)
27	17035	1	Compression Spring
28	17037	1	Tru-Seal Nut
29	10066	1	Hex Hd. Cap Screw
30	205751	1	Stand Pipe
31	16852*	1	"O" Ring
32	12549*	1	"O" Ring
33	308051*	1	End Cap

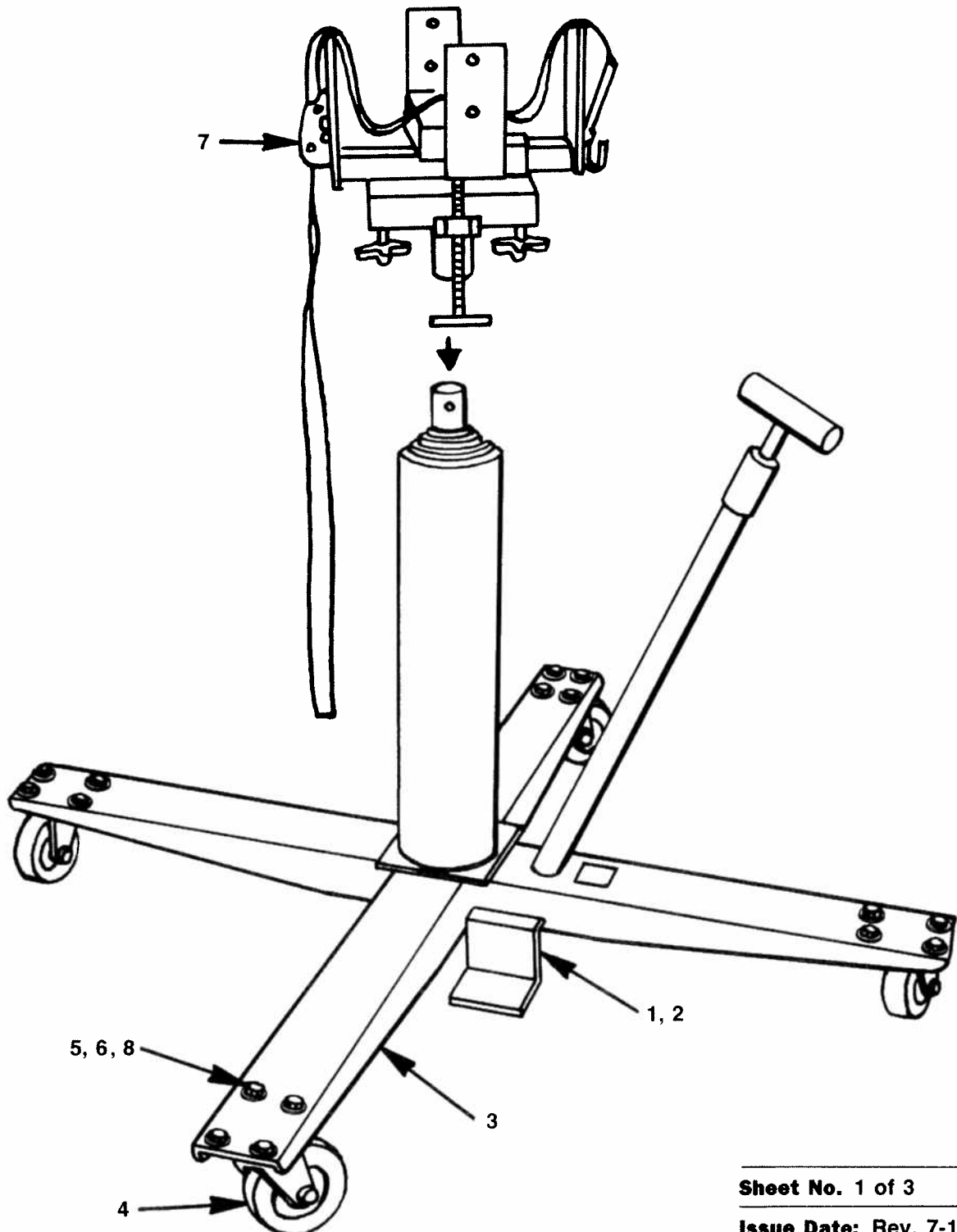
* Items marked with an asterisk (*) are contained in Repair Kit No. 300492.

Refer to any operating instructions that may accompany the product for detailed information concerning such topics as disassembly, testing, operation, preventive maintenance, troubleshooting and reassembly.

Additional enquiries can be directed to the OTC Technical Services staff:

Tool & Equipment Division: (507) 451-5860

Industrial Division: (507) 455-7288

Parts List014-00210
1785-A
60731**HIGH-LIFT TRANSMISSION JACK**CAPACITY: FIRST STAGE — 1,000 LBS. MAX.
SECOND STAGE — 750 LBS. MAX.

Parts List

Item No.	Part No.	No. Req'd	Description
1	10006	2	Soc. Hd. Cap Screw (Torque to 55/65 in. lbs.)
2	37179	1	Release Valve Pedal
3	60389-BL2	1	Leg Weldment (For 1785-A)
	60389-RE2	1	Leg Weldment (For 014-00210 & 60731)
4	214486	4	Swivel Caster
5	11858	16	Hex Hd. Cap Screw
6	10201	16	Hex Nut
7	60395	1	Transmission Adapter
8	10257	32	Washer

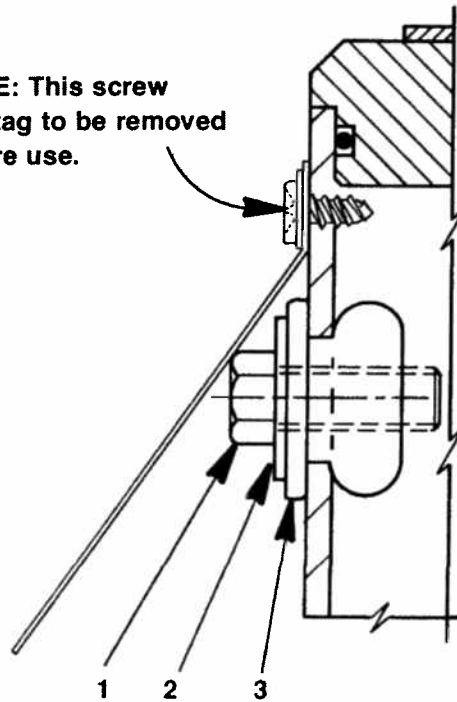
PARTS INCLUDED BUT NOT SHOWN

11280	1	Decal, Trade Name (For 1785-A)
39522*	1	Decal, Caution

Items marked with an (*) asterisk are contained in Repair Kit No. 300452.

RESERVOIR PLUG DETAIL

NOTE: This screw and tag to be removed before use.

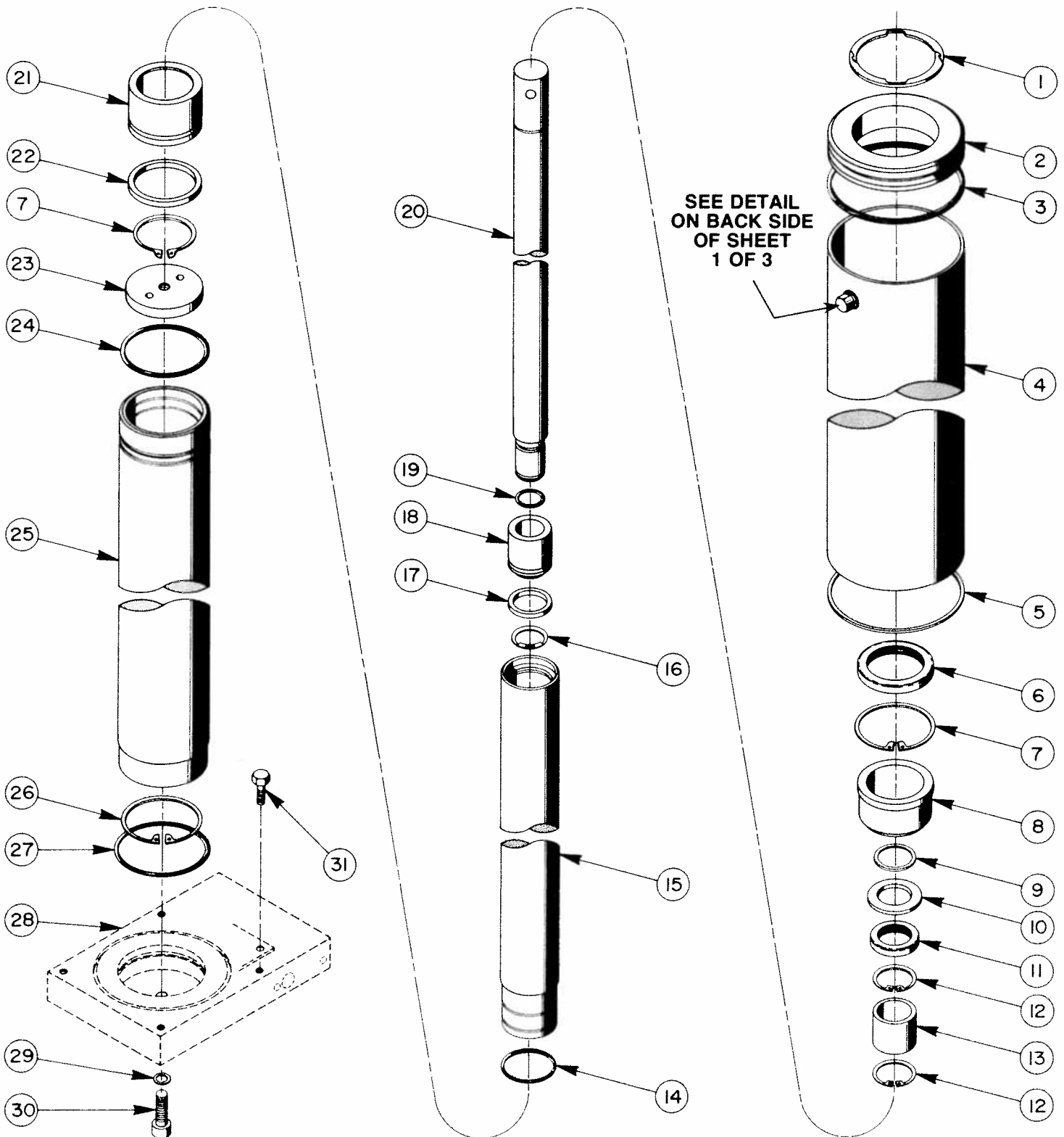


Item No.	Part No.	No. Req'd	Description
1	10049	1	Hex Hd. Cap Screw
2	10231	1	Wrought Washer
3	205580	1	Rubber Expansion Plug



OTC
 Sealed Power Corporation
 655 Eisenhower Drive, Owatonna, MN 55060
 Telephone 507-455-7000, Telex RCA 201674
 Order Entry 507-455-1480, Technical Services 507-451-5860

JACK ASSEMBLY



Parts List

Item No.	Part No.	No. Req'd	Description
1	17230	1	Retaining Ring
2	37140	1	Reservoir Cap
3	10858*	1	"O" Ring
4	37138	1	Reservoir Tube
5	17047*	1	Back Up Washer
6	205734*	1	Seal
7	14365	2	Internal Retaining Ring
8	39478	1	Bushing
9	16250	1	Inverted External Retaining Ring
10	203559	1	Special Washer
11	39485*	1	Seal
12	17228	2	Retaining Ring
13	203055	1	Bushing
14	18669*	1	"O" Ring
15	43819	1	Small Cylinder
16	15673	1	Inverted External Retaining Ring
17	212021	1	"U" Cup
18	39449	1	Bushing
19	10658*	1	"O" Ring
20	43818	1	Rod
21	39469	1	Bushing
22	19570*	1	"U" Cup
23	203056	1	Cylinder End
24	12504*	1	"O" Ring
25	43823	1	Large Cylinder
26	205738	1	External Retaining Ring
27	11520*	1	"O" Ring
28	51021	1	Base
29	12042*	1	Copper Washer
30	10050	1	Soc. Hd. Cap Screw (Torque to 35/45 ft. lbs.)
31	11858	4	Hex Hd. Cap Screw

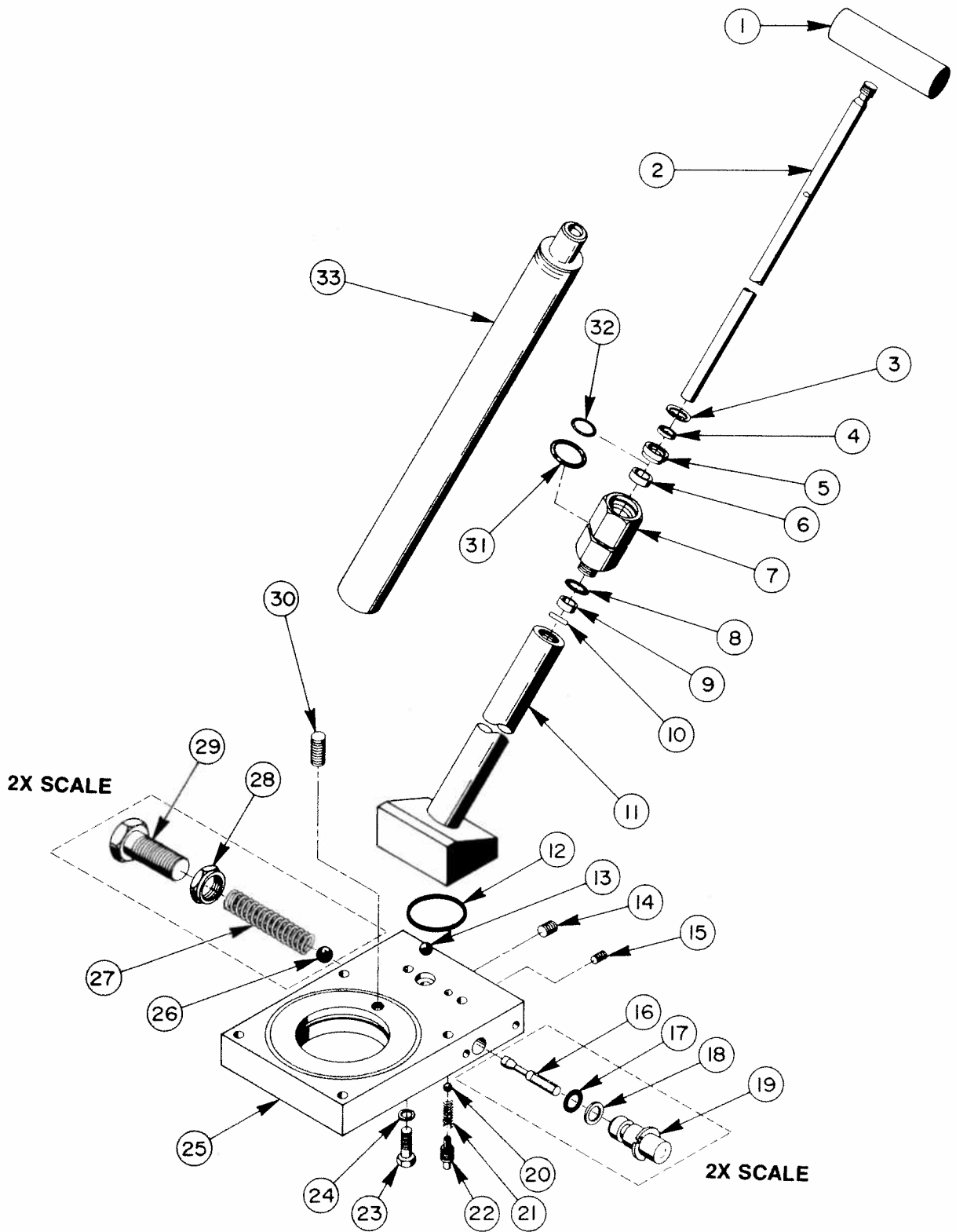
NOTE: Transmission jack is shipped with ¾ gallon of OTC hydraulic oil.

Items marked with an (*) asterisk are contained in Repair Kit No. 300452.



OTC
Sealed Power Corporation
655 Eisenhower Drive, Owatonna, MN 55060
Telephone 507-455-7000, Telex RCA 201674
Order Entry 507-455-1480, Technical Services 507-451-5860

BASE ASSEMBLY



Parts List

Item No.	Part No.	No. Req'd	Description
1	203061	1	"T" Handle
2	37182	1	Pump Rod
3	12994	1	Internal Retaining Ring
4	17200*	1	Rod Wiper Seal
5	205657	1	Seal Retainer
6	205656*	1	"U" Cup Packing
7	37183	1	Cylinder Pump End
8	10653*	1	"O" Ring Packing
9	203560*	1	Special Washer
10	17051	1	Dowel Pin
11	203057	1	Pump Assembly Cylinder
12	11303*	1	"O" Ring Packing
13	10379	1	Steel Ball — 1/2 Dia. (Seat at Assembly)
14	16232	1	Pressure Plug
15	10479	1	Pressure Plug
16	203060	1	Metering Stem
17	10266*	1	"O" Ring
18	12184*	1	Back Up Washer
19	203059	1	Plunger Assembly
20	14476	1	Steel Ball — 1/32 Dia. (Seat at Assembly)
21	17040	1	Compression Spring
22	204231	1	Plug Assembly
23	10036	2	Hex Hd. Cap Screw (Torque to 105/115 in. lbs.)
24	10257	6	Washer
25	51021	1	Base
26	10377	1	Steel Ball — 5/16 Dia. (Seat at Assembly)
27	17035	1	Compression Spring
28	17037	1	Tru-Seal Nut
29	10066	1	Hex Hd. Cap Screw
30	205751	1	Stand Pipe
31	16852	1	"O" Ring
32	12549	1	"O" Ring
33	308051	1	End Cap

Items marked with an (*) asterisk are contained in Repair Kit No. 300452.

Refer to any operating instructions that may accompany the product for detailed information concerning such topics as disassembly, testing, operation, preventive maintenance, troubleshooting and reassembly.

Additional enquiries can be directed to the OTC Technical Services staff (507) 451-5860.



OTC
Sealed Power Corporation
655 Eisenhower Drive, Owatonna, MN 55060
Telephone 507-455-7000, Telex RCA 201674
Order Entry 507-455-1480, Technical Services 507-451-5860