



A division of SPX Corporation
 655 Eisenhower Drive
 Owatonna, MN 55060-1171 USA
 Phone: (507) 455-7000
 Tech. Serv.: (800) 533-6127
 Fax: (800) 955-8329
 Order Entry: (507) 455-1480
 Fax: (800) 283-8665

POWER TEAM

A division of SPX Corporation
 2121 West Bridge Street
 Owatonna, MN 55060 USA
 Phone: (507) 455-7100
 Tech. Serv.: (800) 477-8326
 Fax: (800) 765-8326
 Order Entry: (800) 541-1418
 Fax: (800) 288-7031

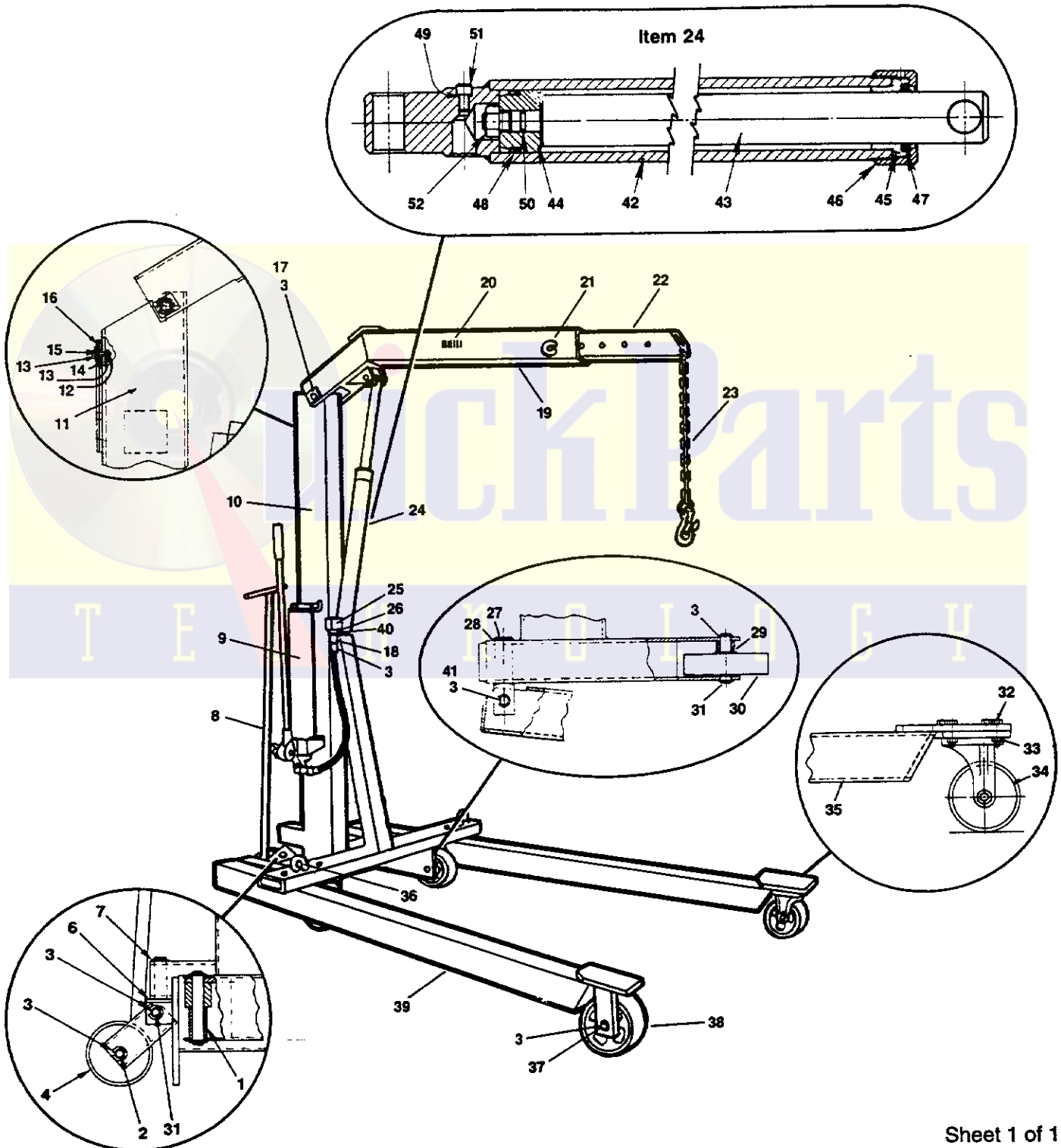
Form No. 100490

Parts List for: 14-0071
 1809
 60149

ADCE-60149
 D-01001AA
 FC2000

Mobile Floor Crane

Max. Capacity: 2,000 Lbs.



Item No.	Part No.	No. Req'd	Description	Item No.	Part No.	No. Req'd	Description
1	28571	2	Spacer	35	41386-RE2	1	Leg L. H. (14-0071, 60149, ADCE-60149)
2	201265	1	Pin		41386-OR9	1	Leg L. H. (FC2000)
3	11902	20	"E" Retaining Ring 3/4"		41386-BL2	1	Leg. L. H. (1809, D-01001AA)
4	12078-BK2	1	Wheel	36	22654	2	Pin
6	304956	1	Pivot Block Assembly	37	24512	1	Pin
7	11903	1	"E" Retaining Ring 1"	38	12119-BK2	1	Wheel
8	45640	1	Dolly Assembly	39	41387-RE2	1	Leg R. H. (14-0071, 60149, ADCE-60149)
9	60576	1	Hand Pump (See Form #100337)		41387-OR9	1	Leg R. H. (FC2000)
10	60147	1	Floor Crane Frame		41387-BL2	1	Leg R. H. (1809, D-01001AA)
11	38920	2	Caution Decal	40	13273	1	Plug
12	13116	1	Lock Nut (3/8-18)	41	28586	2	Pin
13	10257	2	Washer (3/8")	42	34078	1	Cylinder Assembly
14	205052	1	Spacer	43	34079	1	Piston Rod
15	10948	1	Cap Screw (3/8-18 X 1 1/2 Lg.)	44	28565	1	Piston Head
16	38842	2	Leg Catch	45	28566	1	Guide
17	209396	1	Pin	46	28567	1	Collar
18	28584	2	Pin	47	13028*	1	Rod Wiper
19	41388-RE2	1	Boom Assembly (14-0071, 60149, ADCE-60149)	48	11372*	1	"U" Cup
	41388-OR9	1	Boom Assembly (FC2000)	49	10442*	1	Soft Copper Washer
	41388-BL2	1	Boom Assembly (1809, D-01001AA)	50	10268*	1	"O" Ring
				51	10002	1	Cap Screw
20	37608	1	Capacity Decal	52	14223	1	Lock Nut
21	22136	1	Pin	PARTS INCLUDED BUT NOT SHOWN			
22	41394	1	Boom Extension	11280	2	Trade Name Decal (1809)	
23	39610	1	Chain Assembly	10576	2	Drive Screw (#4 X 1/4 Lg.)	
24	41375	1	Cylinder	14486	1	Caution Decal	
25	28824	1	Flow Control Valve	15530	1	Caution Decal	
26	10469	1	Adapter Union	202092	2	Trade Name Decal (FC2000)	
27	34090	2	Swivel Block	209640	1	Trade Name Decal (D-01001AA)	
28	14296	2	Retaining Ring	12222	1	Trade Name Decal (14-0071)	
29	28625	2	Spacer	304861	2	Trade Name Decal (ADCE-60149)	
30	12120-BK2	2	Wheel	27789	1	Patent Plate	
31	28592	3	Pin	205336	1	Part No. Decal (14-0071)	
32	10056	4	Screw, Hex Hd. Cap (3/8-16 X 1 3/4 Lg.)	201829	2	Service Information Decal (14-0071)	
33	12353	4	Hex Nut (3/8-16)				
34	12343-BK2	1	Caster Wheel				

Part numbers marked with an asterisk (*) are contained in Repair Kit No. 300373.

Refer to any operating instructions included with the product for detailed information about operation, testing, disassembly, reassembly, and preventive maintenance.

Items found in this parts list have been carefully tested and selected. Therefore: **Use only genuine replacement parts!**

Additional questions can be directed to our Technical Services Department.