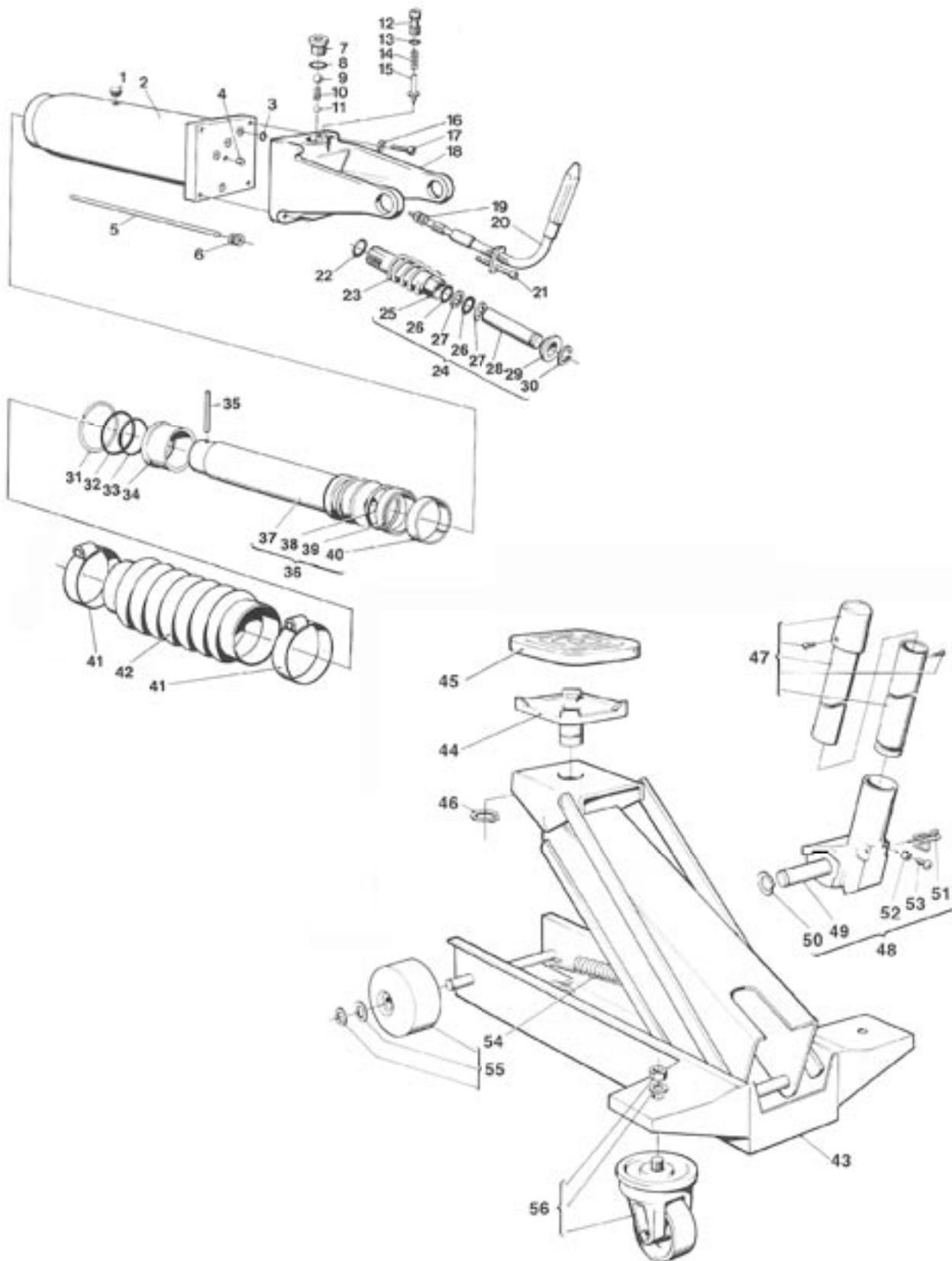


GK1.5-1 GK2-1 GH1.5-1



GK1.5-1 GK2-1 GH1.5-1

Pos.	QTY	Description	Part No.
1	1	Plug	*
2	1	Cylinder/tank unit	38004
3	3	O-ring	*
4	1	Plug	*
5	1	tube	**
6	1	Plug	**
7	1	Plug	**
8	1	O-ring	*
9	1	Ball	**
10	1	Spring	**
11	1	Ball	**
12	1	Screw	**
13	1	O-ring	*
14	1	Spring	**
15	1	Needle	**
16	4	Washer	**
17	4	Screw	**
18	1	Housing	38005
19	1	Packing	*
20	1	Release shaft	38006
21	1	Screw	**
22	1	O-ring	*
23	1	Spring	**
24	1	Pump unit Cpl. (25-30)	38007
25	1	Pump cylinder	-
26	2	O-ring	*
27	2	Packing	*
28	1	Pump piston	-
29	1	Washer	**
30	1	Track ring	**
31	1	Lock ring	**
32	1	O-ring	*
33	1	O-ring	*
34	1	Bushing	38008
35	1	Pin	**
36	1	Piston Cpl. (37-40)	38009
37	1	Piston	-
38	1	Support ring	*
39	1	Packing	*
40	1	Piston guide	**
41	2	Clamp	**
42	1	Rubber bellows	**
43	1	Frame GK1.5-1	0040095
43	1	Frame GK2-1	0040096
43	1	Frame GH1.5-1	0040097
44	1	Saddle	38012
45	1	Protector	38013
46	1	Track ring	0040099
47	1	Handle Cpl.	38014
48	1	Pump beam Cpl. (48-53)	38015
49	1	Axle	-
50	2	Track ring	23050
51	1	Locking	38961
52	1	Bushing	-
53	1	Screw	-
54	1	Spring	38017
55	2	Wheel Cpl.	38018
56	2	Swivel wheel Cpl.	38019
		Hydraulic unit Cpl. GK1.5-1	38020
		Hydraulic unit Cpl. GK2-1	38068
		Hydraulic unit Cpl. GH1.5-1	38960
		Seal kit	38010
		Repair kit	38011

* Includen in Seal kit

** Included in Repair kit