

Repair Parts Sheet

91-105 Hand Pump

L1868

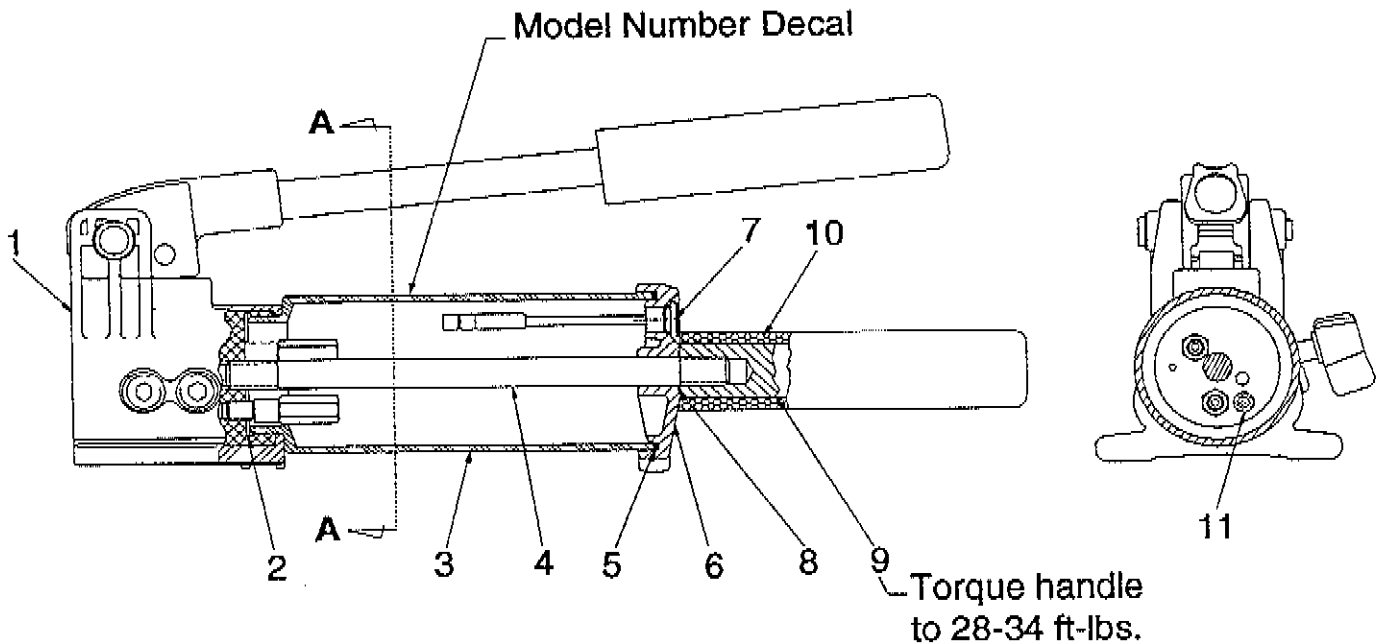
For date codes beginning with the letter "O".
Date code is stamped on the pump near the model number.

12/94

PC3035

INSTALL ALL KIT COMPONENTS TO INSURE OPTIMUM PERFORMANCE OF THE REPAIRED PUMP.

Figure 1 - Pump Assembly



REPAIR PARTS LIST FOR FIGURE 1

Item	Part Number	Qty	Description	Item	Part Number	Qty	Description
1	Pumping Unit Assembly (See Figure 2) Not sold separately—Order complete pump.			6	DA8307020	1	End Cap
2	* B1131517	1	Square Ring Seal	7	DA9533900	1	Filler Plug Assembly
3	244846	1	Reservoir	8	* CU293167	1	Gasket
4	DA9160107	1	Tie Rod	9	DA9161070	1	Handle
5	B1141517	1	Square Ring Seal	10	CL343550	1	Handle Grip
				11	* CB981018	1	Filter

* Items included in and available only as part of Repair Kit 244791.

NAPA LIFTING EQUIPMENT
St. Louis, Missouri 63120-1578
Customer Service (314)679-4300

81N91-105000A0

Figure 2 - Pumping Unit Assembly

Apply roller bearing grease to contact surfaces of pin (Item 20 and plunger (Item 9).

Torque pipe plugs (Item 2) to 28-34 ft-lbs.

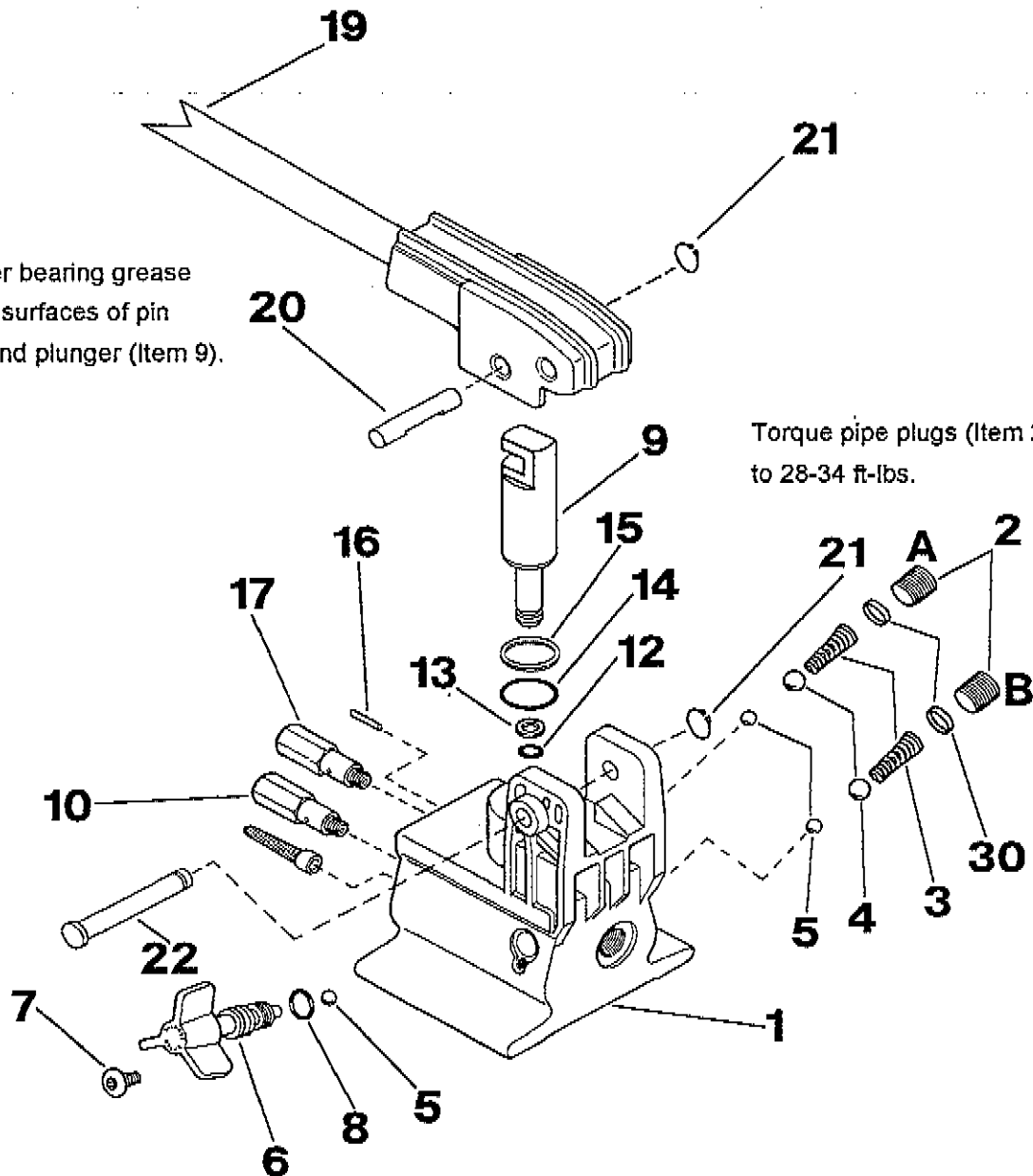
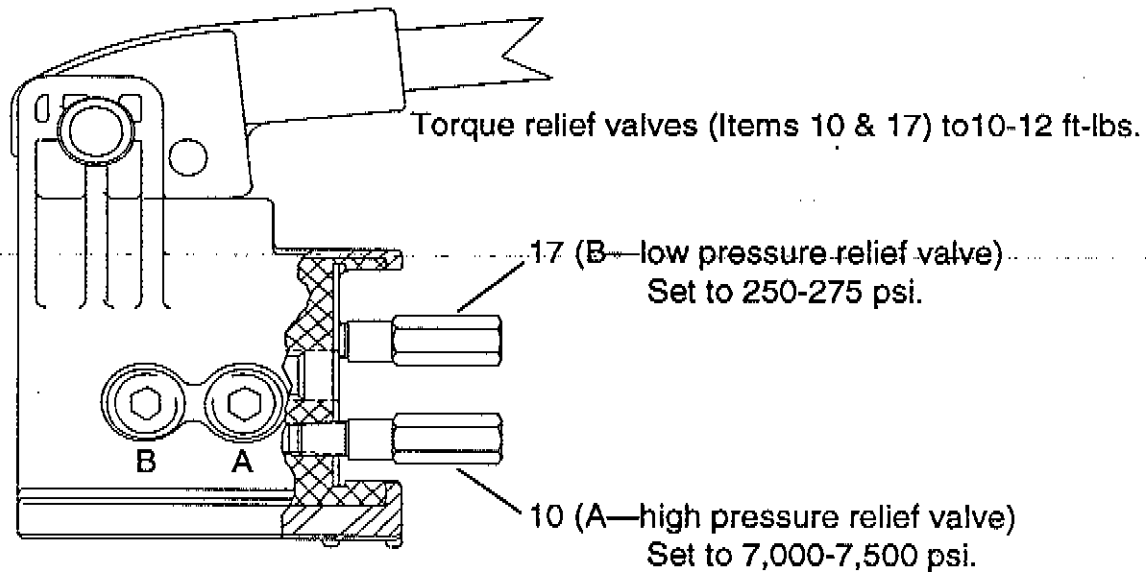


Figure 2 - Pumping Unit Assembly



REPAIR PARTS LIST FOR FIGURE 2

Item	Part Number	Qty	Description	Item	Part Number	Qty	Description
1	—	1	Pump Base	12	* B1010803	1	O-Ring
				13	* B1010564	1	Back-Up Washer
2	CN815006	2	Pipe Plug	14	* B1018803	1	O-Ring
3	* DA1176210	2	Conical Spring	15	* B1018566	1	Teflon Back-Up Washer
4	* B1009016	2	5/16" Ball	16	B1036057	1	Pin
5	* B1006016	3	7/32" Ball	17	DA5493900	1	Relief Valve Assembly
6	CL913900	1	Release Valve Spindle	19	DA9166900	1	Beam/Handle Assembly
7	* CU921028	1	Truss Head Machine Screw	20	BP208570	1	Pin
8	* B1007503	1	O-Ring	21	* DA1178349	1	Retaining Ring
9	CN412040	1	Pump Plunger	22	CR215061	1	Beam Pin
10	DA5494900	1	Relief Valve Assembly	30	* DA3702020	2	Spring Cap

* Items included in and available only as part of Repair Kit 244791.

LIMITED WARRANTY

Lincoln, a division of McNeil (Ohio) Corp., a subsidiary of Pentair, Inc., warrants that jacks and related service equipment sold with the brandnames Lincoln, Blackhawk Automotive, Banner, Blackhawk Automotive Porto-Power, Hein Werner Automotive, Hein Werner Automotive Winner will be free from defects in material and workmanship during one (1) year following the date of purchase. This warranty is extended to the original retailer purchaser only. If a jack or related service equipment proves to be defective during this warranty period, it will be repaired or replaced without charge. To obtain repair or replacement, it must be shipped, transportation charges prepaid, with proof of date of purchase to a Lincoln authorized Warranty and Service Center, within one (1) year following the date of purchase. This warranty does not apply to parts damaged from accident, overload, or abuse, nor does it apply to any equipment which has been altered or used with special attachments other than those recommended by Lincoln. No other express warranty applies to jacks and related service equipment manufactured by Lincoln.

ANY IMPLIED WARRANTIES applicable to jacks and related service equipment manufactured by Lincoln, **INCLUDING THE WARRANTIES OF MERCHANTABILITY AND FITNESS FOR A PARTICULAR PURPOSE, WILL LAST ONLY FOR ONE (1) YEAR FROM THE DATE OF PURCHASE. SOME STATES DO NOT ALLOW LIMITATIONS ON HOW LONG AN IMPLIED WARRANTY LASTS, SO THE ABOVE LIMITATION MAY NOT APPLY TO YOU.**

ONE EXCEPTION TO THE ABOVE WARRANTY BEING HYDRAULIC PUMPS AND RAMS WHICH, HAVE A LIFETIME WARRANTY, FROM DATE OF DELIVERY TO USER AGAINST DEFECTS IN WORKMANSHIP AND MATERIALS. FREE REPAIR OR REPLACEMENT WILL BE MADE ON ALL ITEMS NOT STANDING UP TO THIS GUARANTEE. WARRANTY DOES NOT COVER ORDINARY WEAR AND TEAR, ABUSE OR MISUSE, OVERLOADING, ALTERED PRODUCTS, OR USE OF IMPROPER FLUIDS.

In no event shall Lincoln be liable for incidental or consequential damages. The liability of Lincoln on any claim for loss or damage arising out of the sale, resale, or use of a jack or related service equipment shall in no event exceed the purchase price.

SOME STATES DO NOT ALLOW THE EXCLUSION OR LIMITATION OF INCIDENTAL OR CONSEQUENTIAL DAMAGES, SO THE ABOVE LIMITATION OR EXCLUSION MAY NOT APPLY TO YOU.

THIS WARRANTY GIVES YOU SPECIFIC LEGAL RIGHTS, AND YOU MAY ALSO HAVE OTHER RIGHTS WHICH VARY FROM STATE TO STATE.