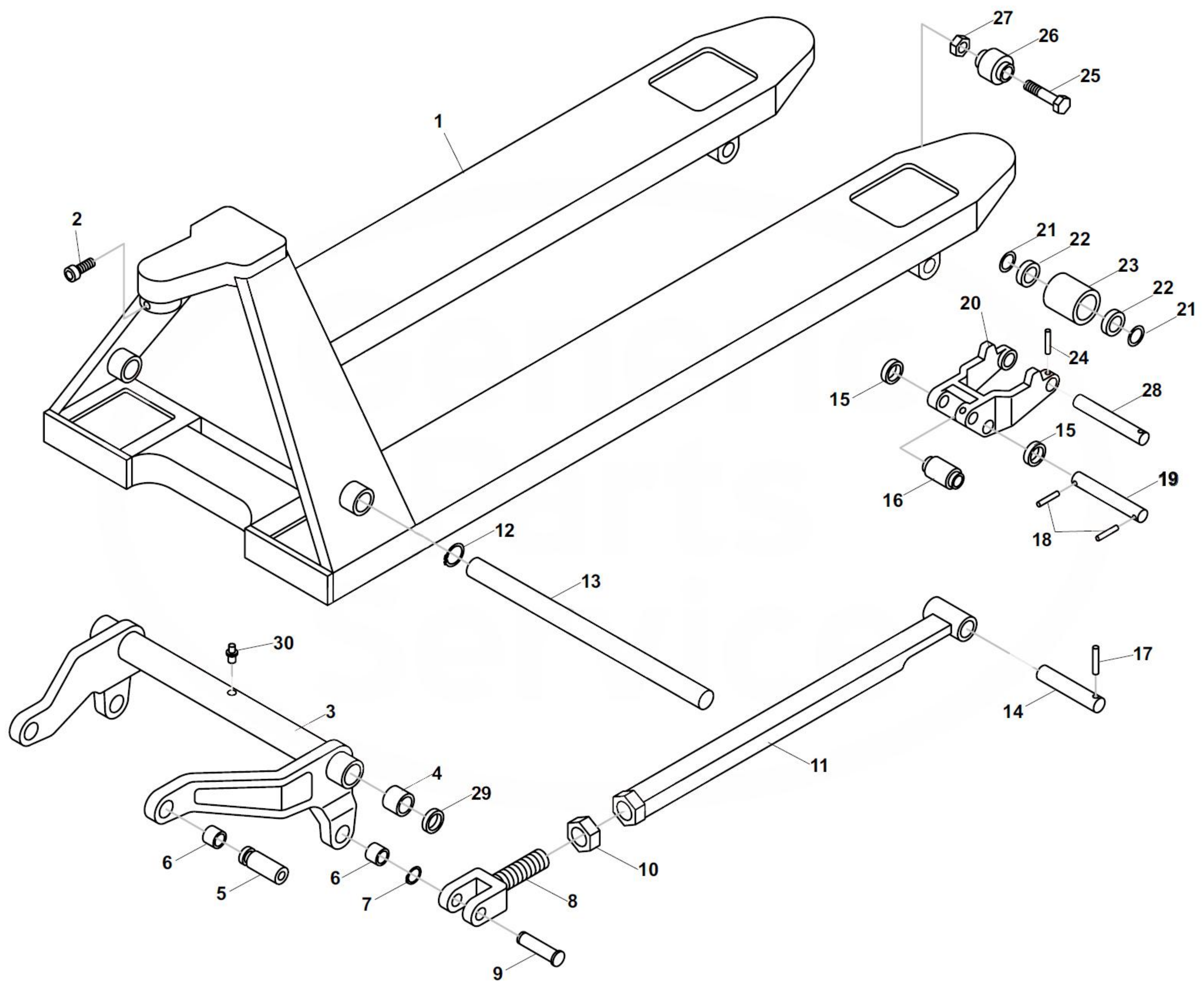


Mighty Lift ML55-II & ML55L Frame



Mighty Lift ML55-II & ML55L Frame

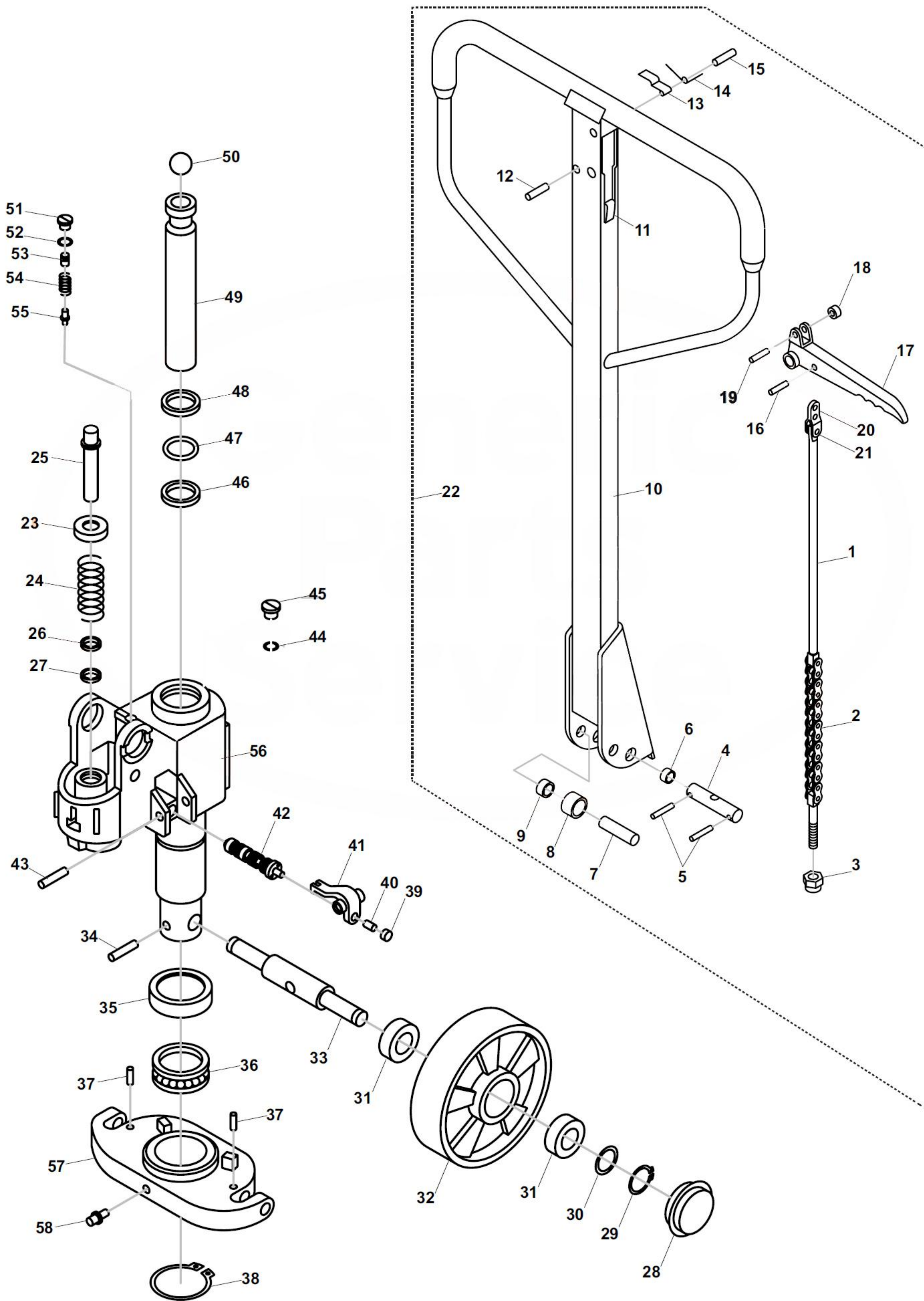
Item	Part No.	Description
1	A201	Frame
2	A202	Bolt
3	A203	Lifting Link, 27" Wide Jack
4	A204	Bushing
5	A205	Shoulder Pin
6	A206	Bushing
7	A208	Snap Ring
8	A209	Joint
9	A210	Pin
10	A211	Nut
11	A212	Push Rod, 48" Forks
12	A213	Snap Ring
13	A214	Shaft
14	A216	Pivot Axle
15	A217	Exit Roller
16	A218	Exit Roller
17	A219	Roll Pin
18	A220	Roll Pin
19	A221	Pivot Axle

Item	Part No.	Description
20	A222	Load Roller Bracket
21	A225	Washer
22	B009	Bearing
23	B35-D	Load Wheel Assembly, Red Ultra-Poly on Aluminum Hub W/ Bearings
	B35	Load Wheel Assembly, Black Ultra-Poly on Steel Hub W/ Bearings
	B35-S	Load Wheel Assembly, Steel W/ Bearings
	B35-N	Load Wheel Assembly, Nylon W/ Bearings
	GWK-BFII-LW	Load Wheel Kit, (2) Black Ultra-Poly (70D), Load Roller Assemblies, W/ Bearings, Axles & Fasteners
24	A230	Roll Pin
25	A231	Bolt
26	A232	Entry Roller
27	A233	Locking Nut
28	A235	Load Wheel Axle
29	A236	Washer
30	A237	Lube Fitting

Load Wheel Kit



Mighty Lift ML55-II & ML55L Hydraulic Unit



Mighty Lift ML55-II & ML55L Hydraulic Unit

Item	Part No.	Description
1	A101	Release Rod
2	A102	Chain & Bolt
3	A104	Adjusting Nut
4	A105	Handle Axle
5	A106	Roll Pin
6	A107	Bushing
7	A108	Roller Pin
8	A109	Pressure Roller
9	A109A	Bushing
10	A110	Handle Frame
11	A111	Rubber Handle Stop
12	A112	Roll Pin
13	A113	Blade Spring
14	A114	Spring
15	A115	Roll Pin
16	A116	Roll Pin
17	A117	Control Handle
18	A118	Roller
19	A119	Roll Pin
20	A121	Pivot Hinge
21	A122	Pin
22	B001	Handle Assembly (Includes Items 1-3 & 6-21)
23	A301	Spring Cap
24	A302	Spring
25	A303	Pump Piston
26	A A304	Dust Ring
27	A A305	U-Cup
28	A306	Dust Cover
29	A307	Locking Ring
30	A308	Washer
31	B009	Bearing
32	B008	Steer Wheel Assembly, Black Poly on Nylon Hub, W/ Bearings
	B008-D	Steer Wheel Assembly, Red Ultra-Poly on Aluminum Hub, W/ Bearings
	B008-S	Steer Wheel Assembly, Steel, W/ Bearings
	B008-N	Steer Wheel Assembly, Nylon, W/ Bearings
	GWK-BFII-CK	Complete Wheel Kit, (2) Ultra-Poly Load Roller Assemblies (70D), (2) Poly Steer Wheel Assemblies, W/ Bearings, Axles & Fasteners

Item	Part No.	Description
33	A316	Steer Wheel Axle
34	A311	Roll Pin
35	A337	Bearing Cover
36	A315	Thrust Bearing
37	A312	Roll Pin
38	A314	Snap Ring
39	A317	Nut
40	A318	Screw
41	A319	Lever Plate
42	A321	Valve Cartridge
43	A320	Roll Pin
44	A A323	Seal Washer
45	A324	Screw Plug
46	A A325	U-Cup
47	A A326	O-Ring
48	A A327	Wiper
49	A328	Piston Rod
50	A329	Ball
51	A330	Screw Plug
52	A A331	O-Ring
53	A332	Adjustment Screw
54	A333	Spring
55	A334	Overload Valve Spindle
56	AP100	Hydraulic Unit
57	A313	Traverse Plate
58	A335	Lube Fitting
Kits A	AK100	Seal Kit

Complete Wheel Kit

