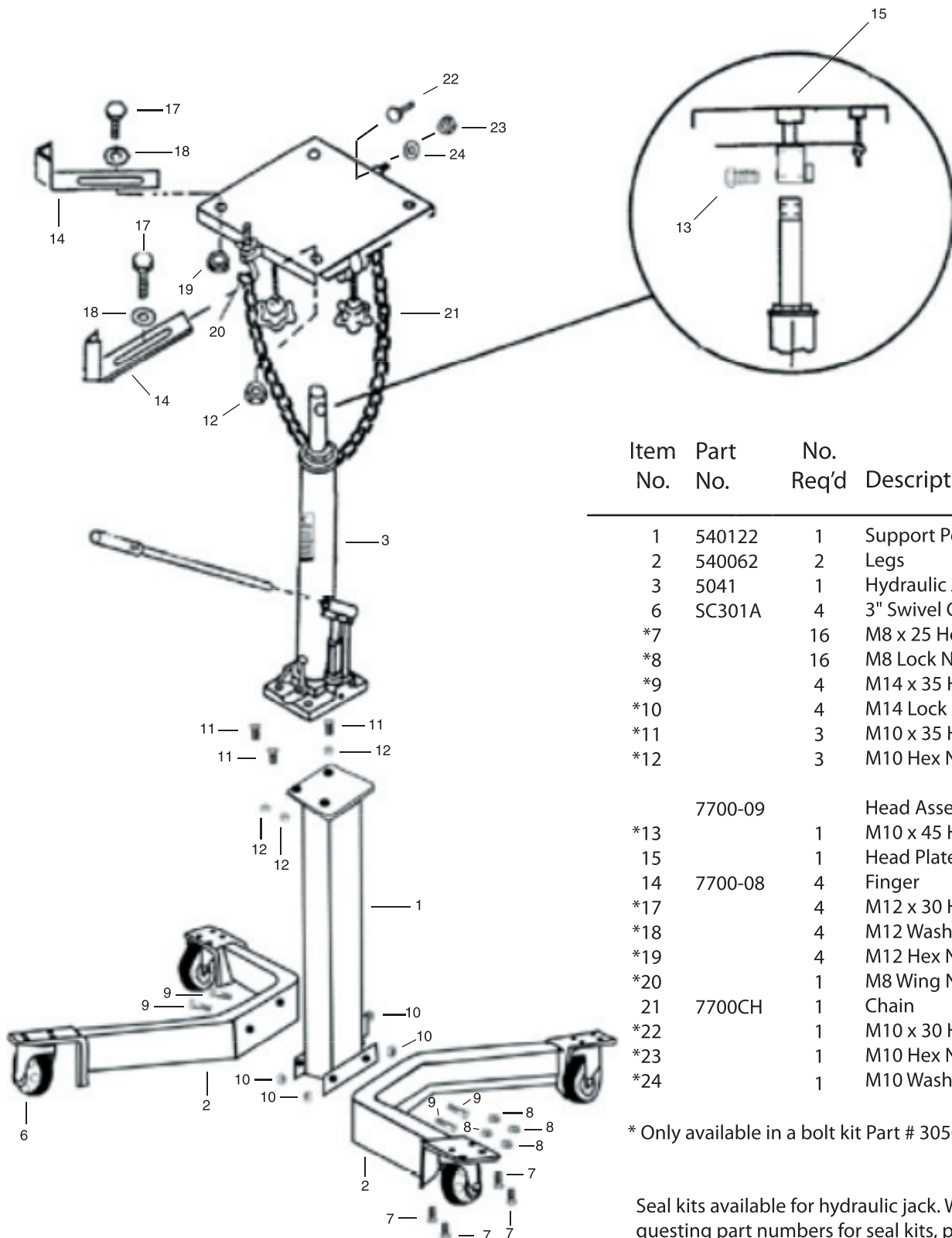




# SUPTJ-1B

## 700 Lb. Capacity Pedestal Transmission Jack



Item No.	Part No.	No. Req'd	Description
----------	----------	-----------	-------------

1	540122	1	Support Post
2	540062	2	Legs
3	5041	1	Hydraulic Jack
6	SC301A	4	3" Swivel Caster
*7		16	M8 x 25 Hex Bolt
*8		16	M8 Lock Nut
*9		4	M14 x 35 Hex Bolt
*10		4	M14 Lock Nut
*11		3	M10 x 35 Hex bolt
*12		3	M10 Hex Nut
	7700-09		Head Assembly Includes:
*13		1	M10 x 45 Hex Bolt
15		1	Head Plate
14	7700-08	4	Finger
*17		4	M12 x 30 Hex Bolt
*18		4	M12 Washer
*19		4	M12 Hex Nut
*20		1	M8 Wing Nut/Bolt
21	7700CH	1	Chain
*22		1	M10 x 30 Hex Bolt
*23		1	M10 Hex Nut
*24		1	M10 Washer

\* Only available in a bolt kit Part # 305064

Seal kits available for hydraulic jack. When requesting part numbers for seal kits, please specify model number as printed on hydraulic jack label.



OPERATING INSTRUCTIONS  
AND  
PARTS BREAKDOWN

MODEL SUPTJ-1B  
700 Lb. Capacity  
Pedestal Transmission Jack

ASSEMBLY INSTRUCTIONS

Base Assembly:

1. Attach swivel caster assembly to each leg using (4) M8 X 25 hex bolts and (4) M8 lock nuts.
2. Assemble legs to base using (4) M14 X 35 hex bolt and (4) M14 lock nut.
3. Set jack on support post and attach using (3) M10 X 35 hex bolts and (3) M10 hex nuts. Make sure jack is centered over support post.
4. Attach head assembly on top of hydraulic jack and secure with (1) M10 X 45 hex bolt .

NOTE: Check and tighten all nuts before using transmission jack.

Head Assembly:

1. Take (4) four finger assemblies and fasten to head assembly using (4) M12 X 30 hex bolt, (4) M12 washer and (4) M12 hex nut.
2. Adjust finger assembly to required position by sliding in desired direction.

OPERATING INSTRUCTIONS:

To Raise: Tighten release valve on hydraulic power unit.  
Jack handle to desired height.

To Lower: Open release valve SLOWLY.

**▲ WARNING**

FOR YOUR SAFETY AND TO PREVENT INJURY:  
ALWAYS Support Vehicle with Support Stands



BEFORE USE:

1. Open the release valve by rotating it counterclockwise two full turns.
2. Place the handle in the handle socket and pump about 6 full strokes to purge the air from the pump and valves.
3. Close the release valve. Pump the handle until the hydraulic power unit has reached full extension. Continue to pump several times to purge air from under the ram.
4. Open the release valve and push ram into its lowest position. Close the release valve and operate normally.

NOTE: If the power unit responds immediately to pump action, it is free of air and ready for operation. If not, repeat procedure.

**▲ WARNING**

THE USE OF THIS JACK IS LIMITED TO THE REMOVAL, INSTALLATION, AND TRANSPORTATION IN THE LOWERED POSITION, OF TRANSMISSIONS AND DIFFERENTIALS. IT MAY BE USED WITH APPROPRIATE ADAPTERS MANUFACTURED SPECIFICALLY FOR THE JACK TO HANDLE OTHER COMPONENTS, SUCH AS REAR AXLE UNITS AND TRANSFER CASES, WITHIN THE WEIGHT LIMITATIONS SPECIFIED. NO ALTERATION TO THE JACK OR ADAPTERS SHALL BE MADE.

BE SURE THE VEHICLE IS APPROPRIATELY SUPPORTED BEFORE STARTING REPAIRS.

DO NOT OVERLOAD. OVERLOADING CAN CAUSE DAMAGE TO OR FAILURE OF THE JACK.

ONLY ATTACHMENTS AND/OR ADAPTERS SUPPLIED BY THE MANUFACTURER SHALL BE USED.

THIS JACK IS DESIGNED FOR USE ONLY ON HARD LEVEL SURFACES CAPABLE OF SUSTAINING THE LOAD. USE ON OTHER THAN HARD LEVEL SURFACES CAN RESULT IN JACK INSTABILITY AND POSSIBLE LOSS OF LOAD.

READ, STUDY AND UNDERSTAND THE OPERATING MANUAL PACKED WITH THIS JACK BEFORE OPERATING.

FAILURE TO HEED THESE WARNINGS MAY RESULT IN LOSS OF LOAD, DAMAGE TO JACK, AND/OR FAILURE RESULTING IN PROPERTY



OPERATING INSTRUCTIONS  
AND  
PARTS BREAKDOWN

MODEL SUPTJ-1B  
700 Lb. Capacity  
Pedestal Transmission Jack

Model SUPTJ-1B transmission jack is a mobile lifting device having a lift platform assembly suited to retaining an automotive transmission, and other driveline components such as transfer cases and trans-axles, and is designed to support and stabilize the component during its installation or removal from a vehicle.

SPECIFICATIONS	
Capacity .....	700 Lbs.
Low Height .....	50"
High Height .....	70"
Saddle Forward Tilt .....	15°
Saddle Backward Tilt .....	15°
Saddle Lateral Tilt .....	12° Each Way
Base Size .....	39-1/2" x 39-1/2"
Shipping Wt.....	96 Lbs.

**INSPECTION:**

Visual inspection should be made before each use of the transmission jack, checking for leaking hydraulic fluid and damaged, loose or missing parts. Each jack must be inspected by a manufacturer’s repair facility immediately, if accidentally subjected to an abnormal load or shock. Any jack which appears to be damaged in any way, is found to be badly worn, or operates abnormally **MUST BE REMOVED FROM SERVICE** until necessary repairs are made by a manufacturer’s authorized repair facility. It is recommended that an annual inspection of the jack be made by a manufacturer’s authorized repair facility and that any defective parts, decals or warning labels be replaced with manufacturer’s specified parts.

A list of authorized repair facilities is available from the manufacturer.

**OWNER/USER RESPONSIBILITY:**

The owner and/or user must have an understanding of the manufacturer’s operating instructions and warnings before using this transmission jack. Personnel involved in the use and operation of equipment shall be careful, competent, trained, and qualified in the safe operation of the equipment and its proper use when servicing motor vehicles and their components. Warning information should be emphasized and understood. If the operator is not fluent in English, the manufacturer’s instructions and warnings shall be read to and discussed with the operator in the operator’s native language by the purchaser/owner, making sure that the operator comprehends its contents.

Owner and/or user must study and maintain for future reference the manufacturer’s instructions. Owner and/or user is responsible for keeping all warning labels and instruction manuals legible and intact. Replacement labels and literature are available from the manufacturer.