

OWNER/USER RESPONSIBILITY:

The owner and/or user must have an understanding of the manufacturer's operating instructions and warnings before using the transmission jack. Personnel involved in the use and operation of equipment shall be careful, competent, trained, and qualified in the safe operation of the equipment and its proper use when servicing motor vehicles and their components. Warning information should be emphasized and understood. If the operator is not fluent in English, the manufacturer's instructions and warnings shall be read to and discussed with the operator in the operator's native language by the purchaser/owner, making sure that the operator comprehends its contents.

Owner and/or user must study and maintain for future reference the manufacturer's instructions and pertinent warning information. Owner and/or user is responsible for keeping all warning labels and instruction manuals legible and intact. Replacement labels and literature are available from the manufacturer.

ASSEMBLY INSTRUCTIONS:

Assemble fingers (part #664606) and hook and chain. Refer to schematic on page 2.

INSPECTION:

Visual inspection should be made before each use of the transmission jack. Any jack which appears to be damaged in any way, is found to be badly worn, or operates abnormally must be removed from service. If the jack is accidentally subjected to an abnormal load or shock it must be inspected by a manufacturer's authorized repair facility immediately. It is recommended that an annual inspection of the jack be made by a manufacturer's authorized repair facility and that any defective parts, decals, or warning labels be replaced with manufacturer's specified parts. All repairs must be made by a factory authorized service center. A list of authorized repair facilities is available from the manufacturer.

IMPORTANT! BEFORE USE:

Air may become trapped in the hydraulic system during transit. To purge air:

1. Open release valve by turning release knob counterclockwise.
2. Pump handle rapidly 4 full strokes. This will expel air that may have entered oil passages during transit.
3. Close release valve by rotating release knob clockwise and pump handle.



THIS OPERATING MANUAL CONTAINS IMPORTANT SAFETY INFORMATION. READ CAREFULLY AND UNDERSTAND ALL INFORMATION BEFORE OPERATING TOOL. SAVE THIS MANUAL FOR FUTURE USE.

! WARNING



THE USE OF THIS JACK IS LIMITED TO THE REMOVAL, INSTALLATION, AND TRANSPORTATION IN THE LOWERED POSITION, OF TRANSMISSIONS AND DIFFERENTIALS. IT MAY BE USED WITH APPROPRIATE ADAPTERS MANUFACTURED SPECIFICALLY FOR THE JACK TO HANDLE OTHER COMPONENTS, SUCH AS REAR AXLE UNITS AND TRANSFER CASES, WITHIN THE WEIGHT LIMITATIONS SPECIFIED. NO ALTERATION TO THE JACK OR ADAPTERS SHALL BE MADE.

BE SURE THE VEHICLE IS APPROPRIATELY SUPPORTED BEFORE STARTING REPAIRS.

DO NOT OVERLOAD. OVERLOADING CAN CAUSE DAMAGE TO OR FAILURE OF THE JACK.

ONLY ATTACHMENTS AND/OR ADAPTERS SUPPLIED BY THE MANUFACTURER SHALL BE USED.

THIS JACK IS DESIGNED FOR USE ONLY ON HARD LEVEL SURFACES CAPABLE OF SUSTAINING THE LOAD. USE ON OTHER THAN HARD LEVEL SURFACES CAN RESULT IN JACK INSTABILITY AND POSSIBLE LOSS OF LOAD.

READ, STUDY AND UNDERSTAND THE OPERATING MANUAL PACKED WITH THIS JACK BEFORE OPERATING.

FAILURE TO HEED THESE WARNINGS MAY RESULT IN LOSS OF LOAD, DAMAGE TO JACK, AND/OR FAILURE RESULTING IN PROPERTY DAMAGE, PERSONAL OR FATAL INJURY.

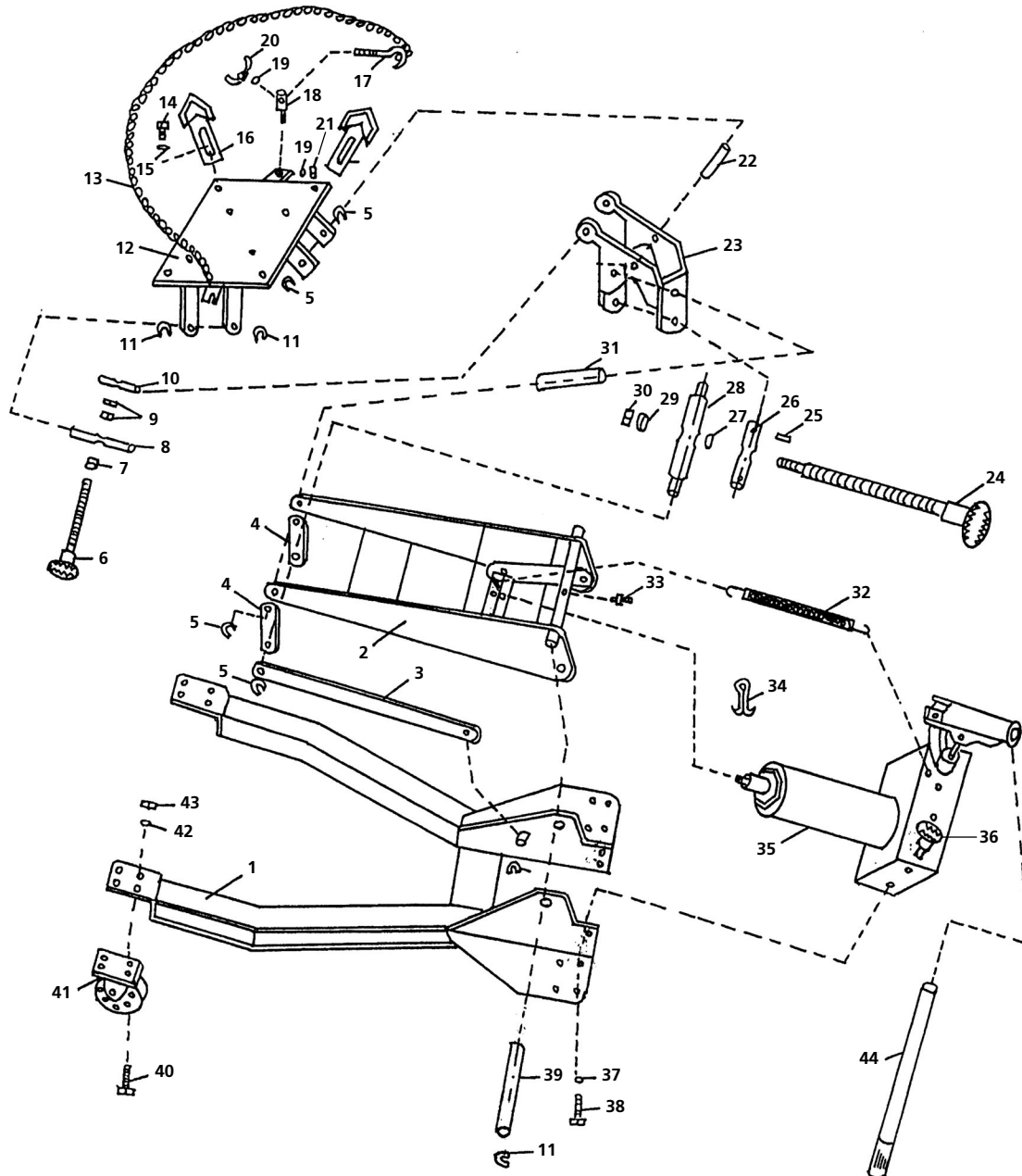
! WARNING

FOR YOUR SAFETY AND TO PREVENT INJURY:



**Use Service Jack
for lifting purposes
ONLY.**

**Always support
vehicle with
jack stands.**



REF NUMBER	PART NUMBER	DESCRIPTION	QTY.	REF NUMBER	PART NUMBER	DESCRIPTION	QTY.
1		Main Frame	1	23	7750A23	Saddle Support Assy.	1
2	7750A02	Lift Arm	1	24	7750A24	Adj. Screw w/Knob (forward)	1
3	7750A03	Lift Arm Strap	2	25	*	Spring Pin	2
4	7750A04	Front Link	2	26	*	Forward Pivot/Front	1
5	*	Snap Ring	8	27	*	Washer	1
6	7750A06	Adj. Screw w/Knob (side)	1	28	*	Forward Pivot/Back	1
7	*	Spacer	1	29	*	Bearing	1
8	*	Side Pivot/Front	1	30	*	Lock Nut	1
9	*	Hex Nut	2	31	*	Forward Pivot Shaft	1
10	*	Side Pivot/Back	1	32	7750A32	Return Spring	1
11	*	Snap Ring	4	33		Grease Fitting	1
12	7750A12	Saddle Assembly	1	34	*	Cotter Pin	1
13	6648BK	Bolt (Chain) Kit	1	35	7750A35	Hydraulic Unit	1
14	*	Hex Bolt	8	36	7750A36	Release Valve Stem	1
15	*	Washer	8	37	*	Lock Washer	4
16	664606	Finger	4	38	*	Hex Cap Screw	4
17	*	Hook	1	39	7750A39	Lift Arm Pivot Pin	1
18	*	Stud	1	40	**	Hex Cap Screw	16
19	*	Washer	2	41	SC301A	Caster	4
20	*	Wing Nut	1	42	**	Washer	16
21	*	Hex Nut	1	43	**	Lock Nut	16
22	*	Side Pivot Shaft	1	44	7750A44	Handle	1

- * 7750A06 Includes Part Nos. 6, 7, 8, 9 (2), 10, 11 (2)
- * 7750A12 Includes all items 5 through 31
- * 7750A23 Includes Part Nos. 5 (4), 22, 23, 31
- * 7750A24 Includes Part Nos. 5 (2), 24, 25 (2), 26, 27, 28, 29, 30
- * 7750A35 Includes Part Nos. 34, 35, 36, 37 (4), 38 (4), 44
- * 7750A39 Includes Part Nos. 11 (2), 39
- * 6648BK Includes Part Nos. 13, 14 (8), 15 (8), 17, 18, 19 (2), 20, 21
- * 7750ASK Seal Kit for Hydraulic Unit 7750A35
- ** 305004WK Wheel Kit, includes 8 ea. of 40, 42, 43. Two Kits required.

OPERATING INSTRUCTIONS:

1. To lift load, pump lever to raise saddle to desired height to contact transmission.
2. Always position the jack so the weight of the load is equally distributed on the saddle.
3. Position corner support brackets and secure the load with chain.
4. Attach stud (item #18) to the bracket on the side of the saddle.
5. Insert hook (item #17) through the eyebolt and attach the wing nut to the first couple of threads on the J bolt.
6. The chain should be pulled over the load securely and engaged into slot on the opposite side of the saddle, then tighten wing nut.
7. To lower the jack, slowly open release valve. Insure that load is lowered slowly.

CAUTION: Keep hands or feet away from the hinge mechanism of the jack.

MAINTENANCE INSTRUCTIONS:

All moving joints require lubrication often. Oil or grease lift arm linkages, adjusting rod threads and casters.

SPECIFICATIONS:

Capacity	1,200 Lb.
Low Height	5-3/4"
High Height	31-1/2"
Saddle Tilt Forward	65°
Saddle Tilt Backward	12°
Saddle Tilt Side to Side	12°
Base	36-3/4" x 18-1/4"
Shipping Weight	117 Lbs.
Net Weight	110 Lbs.

LIMITED WARRANTY

Matco shop equipment and tools excluding accessories, are warranted against defects in materials or workmanship for a period of 1 year from original purchase. We will repair or replace at our option any defective part or unit which proves to be defective in material or workmanship within this warranty plan. This warranty does not cover damage to equipment or tools arising from alteration, abuse, misuse, damage and does not cover any repairs or replacement made by anyone other than Matco or its authorized service centers.

The foregoing obligation is Matco's sole liability under this or any implied warranty and under no circumstances shall we be liable for any incidental or consequential damages.

NOTE: Some states do not allow the exclusion or limitation of incidental or consequential damages, so the above limitation or exclusion may not apply to you.

Return equipment or parts to service center transportation prepaid. Be certain to include your name and address, evidence of the purchase date, and description of the suspected defect.

This warranty gives you specific legal rights and you may also have other rights which vary from state to state.