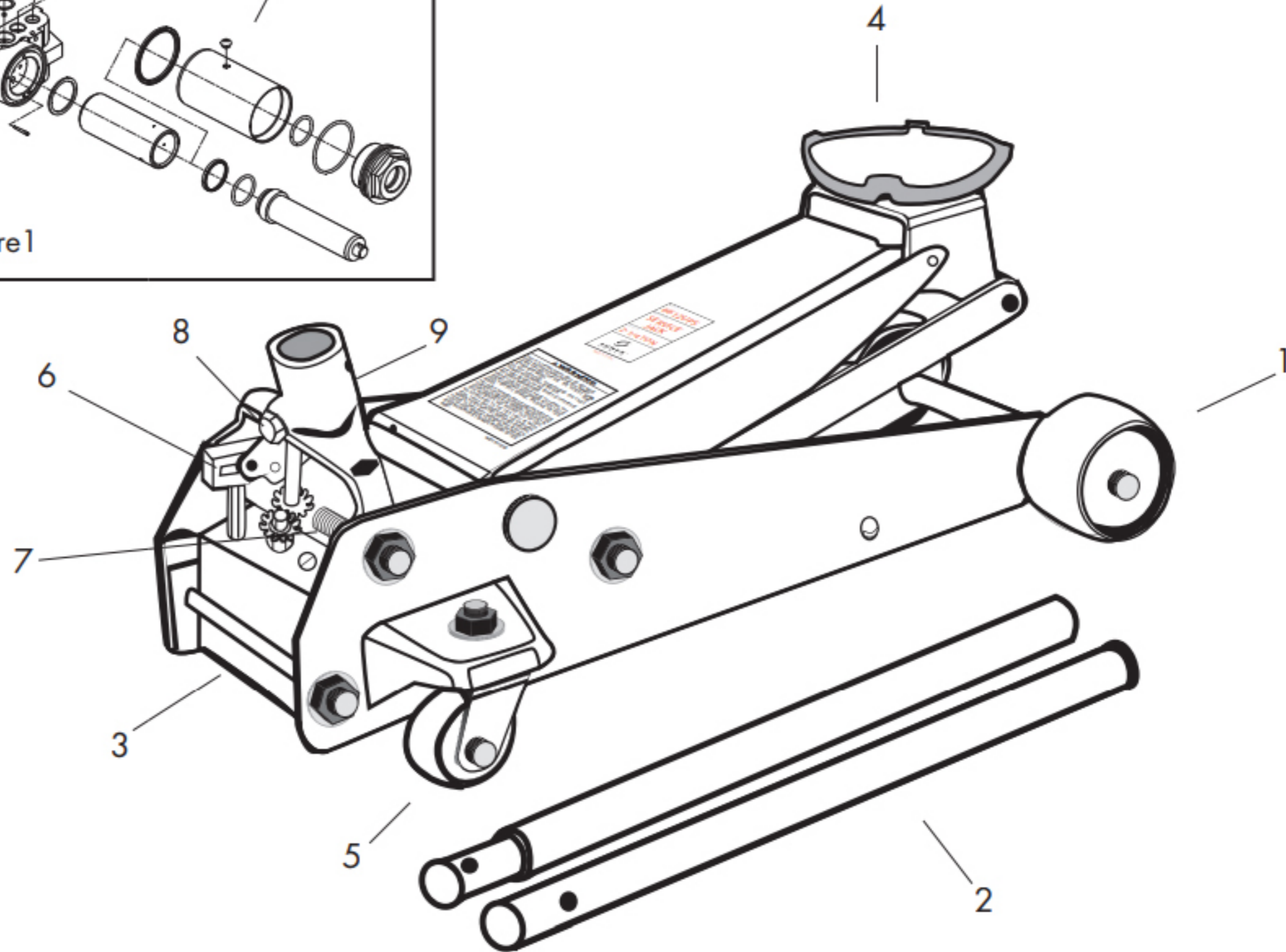
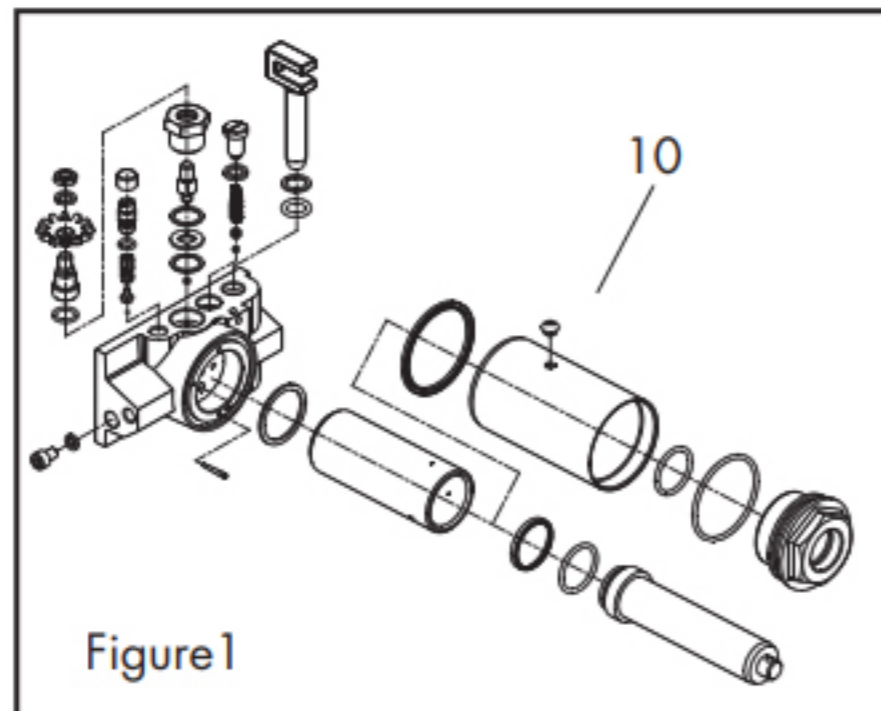




MFJ3 3 Ton Service Jack



Item No.	Part No.	Description	Also Available:	
1	RS661209	2-1/4" Width Front Wheel	RS661210SB	Short bolt for handle yoke
2	RS661238	Handle Assembly		
3	RS660307	Power Unit Assembly	RS661210LB	Long bolt for handle yoke
	RS6612SK	Seal Kit for Power Unit		
4	RS661212	Saddle	RS661232	E-Clips for front wheels
5	RS661202	Rear Caster Assembly		
6	RS661231	Gear (Set of 2)		
7	RS661225	Torsion Spring		
8	RS661208	Handle Locking Bolt		
9	RS661210	Handle Yoke		
10	RS6612FP	Filler Plug		

S P E C I F I C A T I O N S			
Capacity.....	3 Tons	Base Length.....	26"
Low Height.....	5.68"	Chassis Width.....	14"
High Height.....	20"	Wheel Width.....	2.25"
Saddle Diameter.....	5.125"	Shipping Weight.....	95lbs.
Handle Length.....	40"		