

PARTS LIST

FOR

TM - 2

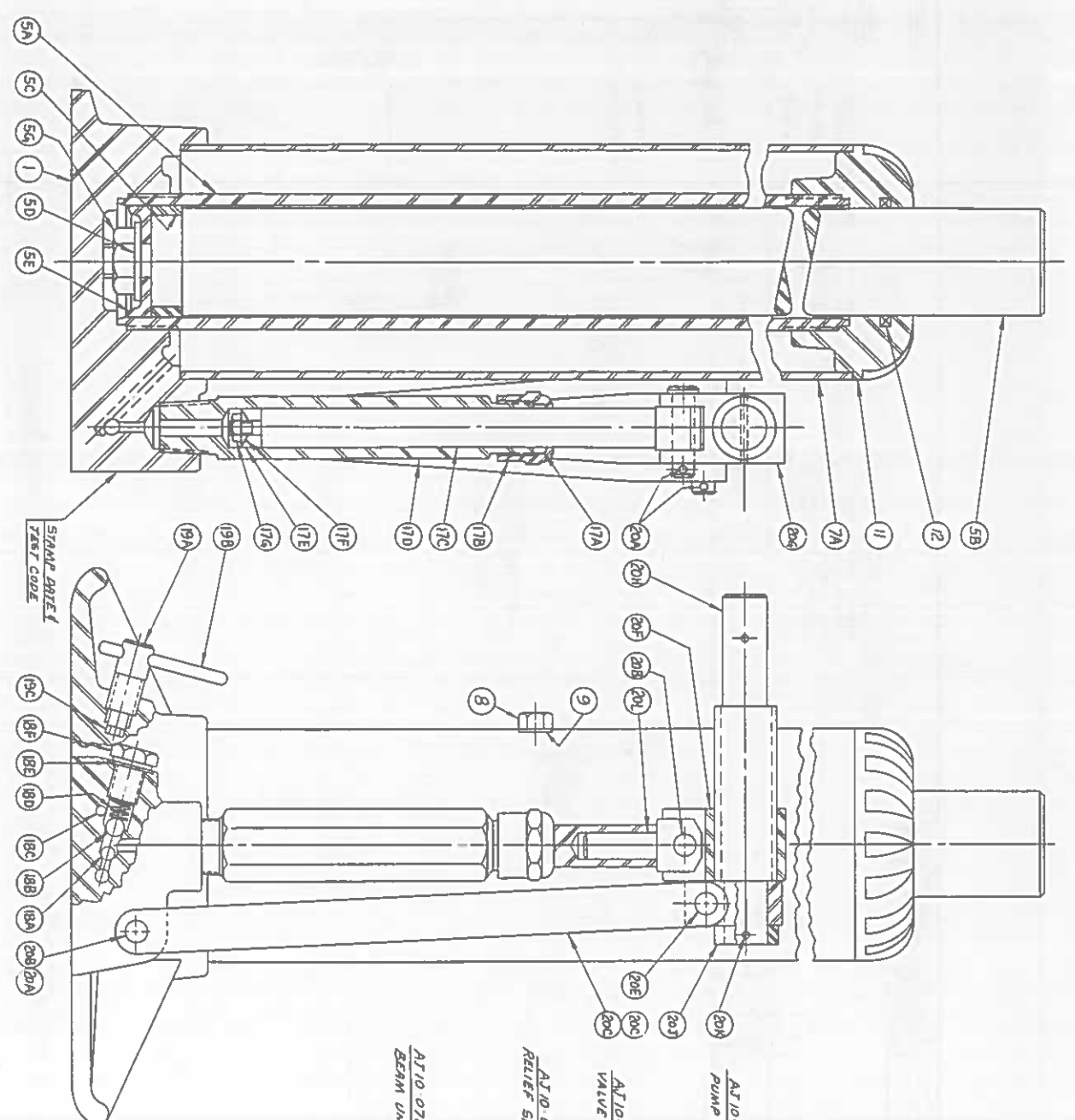
MOBILCRANE



LEMPCO PRODUCTS, INC.  
BEDFORD, OHIO  
U. S. A.

<u>Part No.</u>	<u>Name</u>	<u>Quantity</u>
506-1	Right Leg Upper Angle	1
506-2	Left Leg Upper Angle	1
506-6	Right Leg Upper Angle	1
506-7	Left Leg Upper Angle	1
506-1000	Swivel Wheel Bracket	1
506-1023	Right Leg Lower Angle	1
506-1024	Left Leg Lower Angle	1
506-1004-QS	Boom Assembly Welded	1
506-1015-QS	Hydraulic Jack Base, Welded	1
506-1022 QS	Rear End Leg Assembly	2
506-2011-QS	Cross Brace Fabricated	1
506-2012	Cross Brace Angle	1
506-2013	Cross Brace Angle	1
506-2014	Axle, Front Wheel	1
506-2015	Pivot Rod, Front Wheel	1
506-2016	Bearing Plate	1
506-2017	Mast Bottom Plate	1
506-2018	Axle Plates	4
506-2019	Frame Front Plate	1
506-2020	Leg End Cap	2
506-2021	Right Mast Angle	1
506-2022	Left Mast Angle	1
506-2023	Right Mast Brace	1
506-2024	Left Mast Brace	1
506-2028	Mast Cover Plate	1
506-2029-A	Boom Pivot Pin	1
506-2030 A	Fulcrum Pin, Base	1
506-2031 A	Rear Axle	2
506-2034	Chain Plate Gusset	2
506-2036	Boom Pivot Plate	2
506-2037	Piston Rod Pivot Plate	2
506-2043	Boom Angle, Flange Up	1
506-2044	Piston Rod End Cap	1
506-2045	Piston Pin, Boom	1
506-2047	Transmission Attachment Lugs	2
506-2056	Chain Plate	1
506-2058	Mast Brace Plate	1
506-2059	Jack Base Clevis Lug	2
506-2060	Bearing Block	1
506-2061	Base Plate	1
506-2062	Pipe Column	1
506-2064	Top Plate	1
506-2068	Mast Bottom Plate	1
506-2069	Strengthening Plate, Mast	2
506-2070	Load Limit Decal	1
506-2071	Boom Angle, Flange Down	1
506-2072	Boom Extension Spacer	1
506-2073	Rear End Leg Angle	2
506-2074	Rear End Leg Side	2
506-3000-QS	Base Frame Assembly	1
506-3001-QS	Low Mast Assembly - Fabricated	1
506-3003-QS	Low Mast Mobilcrane Assembly	1
TM-1011-QS	Handle Assembly	1
TM-2007	Bearing Block, Lower	1
TM-2008	Bushing Block Gusset Plate	2
TM-2012	Thrust Washer	1
TM-2014	Shaft Collar	1
TM-2015	Handle Arm	1
TM-2016	Handle	1
TM-2039	Caution Decal	1
TM-2040	Oil Level Decal	1
TM-2043	Bearing Block, Upper	1
NP-2044	Blank Nameplate	1
NP-2055	"Lempco" Decal	1
NP-2056	"Lempco" Decal	1
#2 x 1/4"	Parker-Kalon Drive Screws	4
#5100-75	Waldes Retaining Ring	2
#5100-100	Waldes Retaining Ring	2
#2476	Bond Roller Bearing Wheel	1
#2733	Bond Roller Bearing Wheel	2
W-388	Blackhawk Jack Complete	1
#4 x 1"	Std. Taper Pin	1
#4 x 2"	Std. Taper Pin	1
1/2" x 3 1/2 Ft.	"B.B.B." Plain Coil Chain With Forged Slip Hook- Working Load 2 Tons	1
1/4-20 x 3/8"	Socket Set Screw - Cup Point	1
1/4-20 x 1/2"	Socket Set Screw - Flat Point	2
3/8-16 x 3/4"	Hex Head Cap Screw	2

<u>Part No.</u>	<u>Name</u>	<u>Quantity</u>
5/8-11 x 1 1/4"	Hex Head Cap Screw	14
5/8-11	Square Head Nuts	14
3/8 Std.	Spring Lock Washer	2
5/8 Std.	Spring Lock Washer	14
Extension Boom, Optional		
506-1005-QS	Extension Boom Welded	1
506-2034	Gusset Plate	2
506-2035	Extension Boom "I" Beam	1
506-2040	Latch Extension Boom	1
506-2041	Extension Boom Retaining Pin	1
506-2042	Spacer, Latch	1
506-2056	Chain Plate	1
506-2057	Filler Block	1
1/4-20 x 5/8"	Hex Head Cap Screw	1
1/4 Std.	S.A.E. Washer	1
1/4 Std.	Spring Lock Washer	1
Transmission Attachment Optional		
506-4-QS	Transmission Attachment	1
506-1013-QS	Partial Assembly, Transmission Attachment	1
506-1014	Body Pipe	1
506-2048	Clevis Blanks	2
506-2067	Pivot Pins	2
MC-2071	Transmission Support Plate	1
MC-2072	Support Bracket	1
MC-2073	Support Bracket Brace	2
MC-2074	Body Pipe End Plate	1
TM-2041	Transmission Attachment Decal	1
1/8 x 1 1/2"	Cotter Pin	2
Platform Attachment, Optional		
506-3-QS	Platform Attachment Assembly	1
506-1008	Platform Bracket	2
506-1009	Parallel Rod, Right	1
506-1010	Parallel Rod, Left	1
506-1011-QS	Platform Bracket Assembly - Left	1
506-1012-QS	Platform Bracket Assembly - Right	1
506-2046	Bracket Spacer	1
506-2066	Platform To Boom Pin	1
506-3004-QS	Complete Assembly TM-2L With Platform Attachment	1
TM-1021	Platform Leg	2
TM-1024-QS	Platform Plate Assembly	1
TM-1025	Platform Plate	1
TM-2027	Bracket Brace	2
TM-2028	Bracket Brace Spacer	2
TM-2029	Hinge Bushing	4
TM-2031	Spacer	1
TM-2032	Hinge Pin	1
TM-2033	Swing Pin	1
TM-2034	Platform Leg Spacer	1
TM-2035	Platform Leg Spacer	2
TM-2037	Platform Leg Pin	1
TM-2042	Platform Attachment Decal	1
3/32 Dia. x 1"	Cotter Pin	2
1/8 Dia. x 1 1/4"	Cotter Pin	4
1/8 Dia. x 1 1/2"	Cotter Pin	2
1/2-13 x 6	Square Head Bolt	1
1/2-13	Square Head Nut	1
1/2 Std.	S.A.E. Plain Washer	4
3/4 Std.	S.A.E. Plain Washer	2
1" Std.	S.A.E. Plain Washer	2



STAMP SHEET  
PART CODE

1	HI 100, 063	BASE
5A	HI 100, 064	CYLINDER
5B	HI 100, 065	PLUNGER
5C	ET 100, 022	PLUNGER RING
5D	ET 100, 012	PLUNGER CUP WASHER
5E	ET 100, 023	PLUNGER CUP
5G	ET 100, 014	PLUNGER CUP NUT 1/2 x 20
7A	HI 100, 056	RESERVOIR
8	AI 100, 060	FILLER PLUG
9	AI 100, 020	FILLER PLUG GASKET
11	HI 100, 054	TOP CAP
12	ET 100, 102	QUAD RING
17A	AI 100, 313	PUMP PACKING
17B	AI 100, 210	PUMP GLAND NUT
17C	AI 100, 547	PUMP PLUNGER
17D	AI 100, 350	PUMP CYLINDER
17E	AI 100, 211	PUMP CUP
17F	AI 100, 212	PUMP CUP SPREADER
17G	AI 100, 217	RETAINING NUT 1/2 x 24
18A	AI 100, 007	BALL - 7/32"
18B	AI 100, 008	BASE PLUG
18C	AI 100, 003	BASE PLUG
18D	AI 100, 040	VALVE SPRING
18E	AI 100, 039	VALVE PLUG GASKET
18F	AI 100, 061	VALVE PLUG
19A	AI 100, 311	RELIEF VALVE SPINDLE
19B	AI 100, 152	RELIEF VALVE SPINDLE PIN
19C	AI 100, 312	RELIEF VALVE O'RING
20A	AI 100, 092	COTTER PIN
20B	AI 100, 031	BASE LINK PIN
20C	AI 100, 356	LINK
20E	AI 100, 357	CLEVIS PIN
20F	AI 100, 355	LINK SPACER
20G	AI 100, 353	ADJUSTING NUT
20H	AI 100, 354	HANDLE SCREW
20J	AI 100, 352	COLLAR
20K	AI 100, 358	COLLAR PIN
20L	AI 100, 351	PUMP PLUNGER HEAD

AI 10-072  
BEAM UNIT

AI 10-058  
RELIEF SPINDLE

AI 10-014  
VALVE UNIT

AI 10-057  
PUMP UNIT

OIL - 47 C.U.M. = 26 OZ.  
MOLY KOTE  
ARMSTRONG (INSTR. ADJUST.)

COLLAPSED 28 5/8"  
EXTENDED 31 3/8"  
LIFT 28 7/8"  
CAPACITY 8 TON

ALL MACHINING DIMENSIONS GIVEN IN  
PARENTS WITHOUT UNLESS SHOWN  
OR NOTED OTHERWISE AND UNLESS  
SPECIFIED OTHERWISE

SCALE FULL	DR. ESK	DATE 6-18-57	NAME JACK ASSEMBLY HI 4B	SHEET NO.
DR. ESK	2 TON HANDLE CAPABLE	3% SLACK	506	
DATE 6-18-57	MATL.	REQD.	9 05	

