

John Deere TY26323 25 Ton Shop Press

OPERATOR'S MANUAL John Deere 25 Ton Shop Press OMTY26299 Issue 27Sep06 (ENGLISH)

CALIFORNIA
Proposition 65 Warning

Diesel engine exhaust and some of its constituents are known to the State of California to cause cancer, birth defects, and other reproductive harm.

If this product contains a gasoline engine:

 **WARNING**

The engine exhaust from this product contains chemicals known to the State of California to cause cancer, birth defects or other reproductive harm.

The State of California requires the above two warnings.

Introduction

Foreword

THANK YOU for purchasing a John Deere product.

READ THIS MANUAL carefully to learn how to operate and service your shop press correctly. Failure to do so could result in personal injury or equipment damage. This manual and safety signs on your press may also be available in other languages. (See your John Deere dealer to order.)

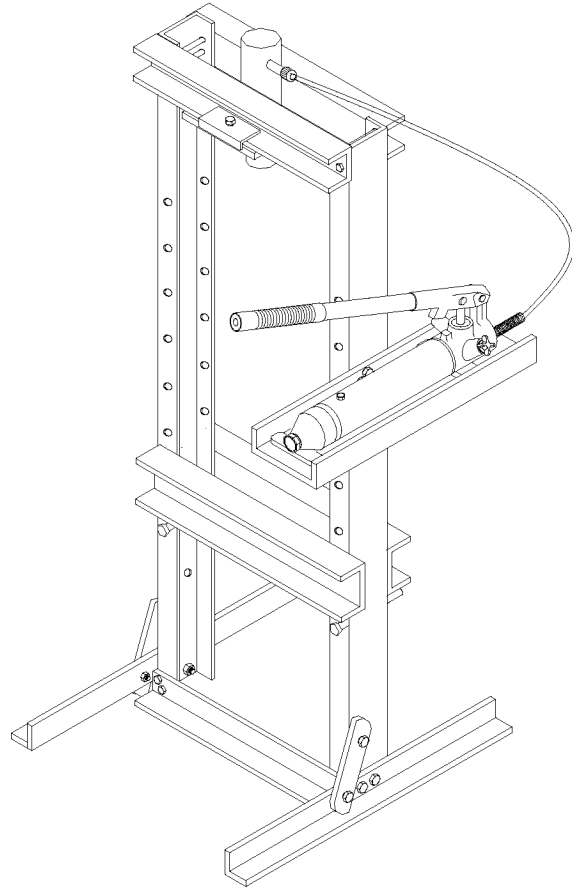
THIS MANUAL SHOULD BE CONSIDERED a permanent part of your press and should remain with the product when you sell it.

MEASUREMENTS in this manual are given in both metric and customary U.S. unit equivalents. Use only correct replacement parts and fasteners.

WRITE PRODUCT INFORMATION in the Specification section. Accurately record all the numbers to help in tracing the press should it be stolen. Your distributor also needs these numbers when you order parts. File the product information in a secure place.

WARRANTY is provided as part of John Deere's support program for customers who operate and maintain their equipment as described in this manual. The warranty is explained in the Warranty section at the end of this manual.

This warranty provides you the assurance that John Deere will back its products where defects appear within the warranty period. In some circumstances, John Deere also provides field improvements, often without charge to the customer, even if the product is out of warranty. Should the equipment be abused, or modified to change its performance beyond the original factory specifications, the warranty will become void and field improvements may be denied.



25 Ton Shop Press- TY26323

TYB4964 -JUN-12SEP06

OUOD006,0000296 -19-06SEP06-1/1

Contents

	Page
Safety	05-1
Before Use	
Assembly	10-1
Before Use	10-2
Operation	
Operation	15-1
Maintenance	
Adding or Changing Oil	20-1
General Maintenance	20-2
Storing the Press	20-2
Ordering Parts	20-2
Troubleshooting	
Shop Press Troubleshooting	25-1
Specifications	
Shop Press Specifications	30-1
Record Product Information	30-1
Warranty	
Warranty	35-1

All information, illustrations and specifications in this manual are based on the latest information available at the time of publication. The right is reserved to make changes at any time without notice.

COPYRIGHT © 2006
DEERE & COMPANY
Moline, Illinois
All rights reserved
A John Deere ILLUSTRATION® Manual

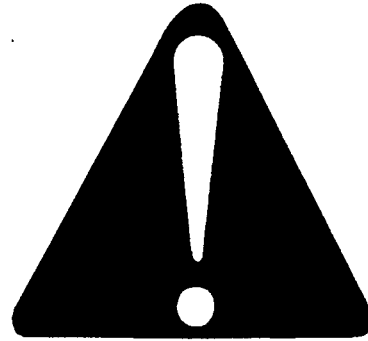
Contents

Safety

Recognize Safety Information

This is a safety-alert symbol. When you see this symbol on your equipment or in this manual, be alert to the potential for personal injury.

Follow recommended precautions and safe operating practices.



OUOD006,00002BE -19-20SEP06-1/1

T81389 -UN-07DEC88

Understand Signal Words

A signal word—DANGER, WARNING, or CAUTION—is used with the safety-alert symbol. DANGER identifies the most serious hazards.

DANGER or WARNING safety signs are located near specific hazards. General precautions are listed on CAUTION safety signs. CAUTION also calls attention to safety messages in this manual.



DX,SIGNAL -19-03MAR93-1/1

TS187 -19-30SEP88

Follow Safety Instructions

Carefully read all safety messages in this manual and on your equipment safety signs. Keep safety signs in good condition. Replace missing or damaged safety signs. Be sure new equipment components and repair parts include the current safety signs. Replacement safety signs are available from your John Deere dealer.

Learn how to operate the equipment and how to use controls properly. Do not let anyone operate without instruction.

Keep your equipment in proper working condition. Unauthorized modifications to the equipment may impair the function and/or safety and affect equipment life.

If you do not understand any part of this manual and need assistance, contact your John Deere dealer.



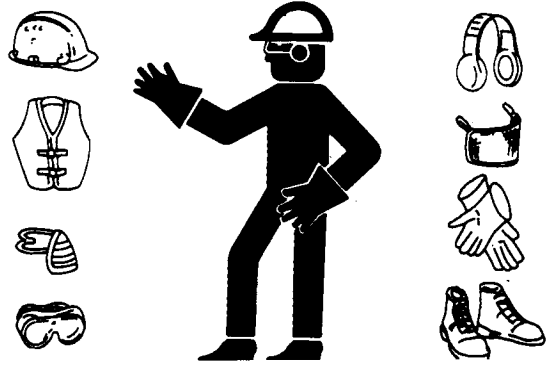
OUOD006,00002BF -19-20SEP06-1/1

TS201 -UN-23AUG88

Wear Protective Clothing

Wear close fitting clothing and safety equipment appropriate to the job.

Operating equipment safely requires the full attention of the operator. Do not wear radio or music headphones while operating machine.



DX,WEAR2 -19-03MAR93-1/1

TS206 -UN-23AUG88

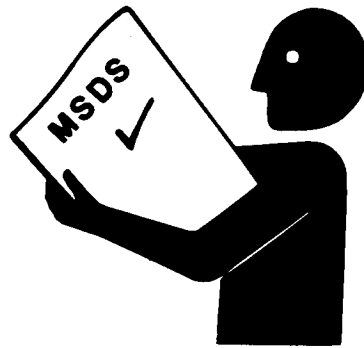
Handle Chemical Products Safely

Direct exposure to hazardous chemicals can cause serious injury. Potentially hazardous chemicals used with John Deere equipment include such items as lubricants, coolants, paints, and adhesives.

A Material Safety Data Sheet (MSDS) provides specific details on chemical products: physical and health hazards, safety procedures, and emergency response techniques.

Check the MSDS before you start any job using a hazardous chemical. That way you will know exactly what the risks are and how to do the job safely. Then follow procedures and recommended equipment.

(See your John Deere dealer for MSDS's on chemical products used with John Deere equipment.)



DX,MSDS,NA -19-03MAR93-1/1

TS1132 -UN-26NOV90

Dispose of Waste Properly

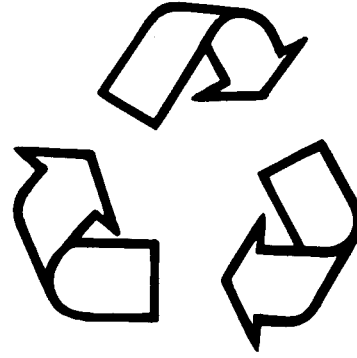
Improperly disposing of waste can threaten the environment and ecology. Potentially harmful waste used with John Deere equipment include such items as oil, fuel, coolant, brake fluid, filters, and batteries.

Use leakproof containers when draining fluids. Do not use food or beverage containers that may mislead someone into drinking from them.

Do not pour waste onto the ground, down a drain, or into any water source.

Air conditioning refrigerants escaping into the air can damage the Earth's atmosphere. Government regulations may require a certified air conditioning service center to recover and recycle used air conditioning refrigerants.

Inquire on the proper way to recycle or dispose of waste from your local environmental or recycling center, or from your John Deere dealer.



Recycle Waste

TS1133 -JUN-26NOV90

DX, DRAIN -19-03MAR93-1/1

IMPORTANT SAFETY INSTRUCTIONS- SAVE THESE INSTRUCTIONS



CAUTION: This shop press can develop high pressure. Rupture of components can inject grease into skin and eyes causing serious injury. If an accident occurs, see a doctor immediately. Any high pressure spray injected into the skin must be surgically removed within a few hours or gangrene may result. Doctors unfamiliar with this type of injury should reference a knowledgeable medical source. Such information is available from Deere & Company Medical Department in Moline, Illinois, U.S.A.

Risk of serious eye injury from projected or blown debris. Wear safety goggles when working with or around press. Install safety shield around workpiece. Keep hands and feet away from loading area. Never leave loaded press unattended. Do not exceed rated capacity of press. Use only on a hard, level surface. Never stand directly in front of loaded press. Center-load workpiece to help prevent objects being propelled from the press. Do not modify this equipment.

- 1. SAVE THESE INSTRUCTIONS.** This manual contains important safety and operating instructions for your shop press. Read and understand this manual before using the press. Instructions and safety information shall be conveyed in the operator's native language before use of this press is authorized.
2. Use and repair of shop presses requires special skills and knowledge. Do not operate or service presses if not fully familiar with correct procedures.
3. If any doubt exists as to the safe and proper use of this product, remove product from service **immediately**.
4. Someone should be within range of your voice or close enough to come to your aid when you work near a press.
5. **Inspect before each use.** Do not use if broken, bent, cracked or damaged parts are noted. Any press that appears damaged in any way, or operates abnormally, shall be removed from service immediately. It is recommended that an annual inspection be done by qualified personnel.
6. If the press has been subjected to a shock load (a load dropped suddenly and unexpectedly upon it), or is suspected to have been subjected to a shock load, immediately discontinue use until press has been inspected by an authorized service center.
7. Never apply excessive force to a workpiece, and always use a force gauge to determine applied load.
8. This shop press is designed for use as an aid in assembling automotive and industrial components. Typical applications include installation and removal of bearings, seals, and universal joints.
9. This shop press is not recommended for use as an assembly table or as a fixture stand for large, final assembly components.

OUOD006,00002CD -19-26SEP06-1/1

Safety Sign

TY26323

25 Ton
Tonnes



Shop Press
Presse d'atelier

⚠ WARNING / AVERTISSEMENT

Study and understand all warnings and owner's manual before use. Components of this press are specially designed to withstand rated capacity loads. Do not substitute bolts or pins, or any other parts. Always center load on ram plunger, offset loads can damage ram or head plate. Before applying load, be sure all press bed supporting pins are fully engaged to head plate prior to applying a load. Remove all loads from press bed before attempting to adjust bed height. Beware of possible falling bed. Press only on loads supported by press bed. Do not support load on floor or press frame. Keep hands and fingers out of the press and away from parts that may shift and pinch. Do not stand in front of work area where load is applied. Always use an accurate force gauge to measure pressing force. Do not exceed the rated capacity of this press. Always wear safety goggles when working with or around press. Failure to follow this warning may result in personal injury or property damage.

Assurez-vous de bien lire et de comprendre tous les avertissements et toutes les instructions du livret d'entretien avant son utilisation. Les éléments de cette presse sont spécialement conçus pour supporter des charges ayant des capacités nominales spécifiques. Il est interdit de substituer des boulons, des axes ou toute autre pièce. Centrez toujours la charge sur le piston-plongeur, car des charges décentrées pourraient endommager le piston ou la tête. Avant d'appliquer une charge, assurez-vous que tous les axes d'appui de la presse soient complètement engagés sur la tête avant d'appliquer une charge. Enlevez toutes les charges de la table de la presse avant d'essayer de régler la hauteur de la table. Surveillez toujours la table de la presse car elle pourrait tomber. Ne pressez que des charges supportées par la table de la presse. Ne supportez pas de charge sur le bâti de la presse ou au plancher. Gardez les mains et les doigts hors de la presse et loin de toute pièce qui pourrait se déplacer et vous blesser. Ne vous tenez pas en avant de l'aire de travail lorsqu'une charge est appliquée. Utilisez toujours un dynamomètre de traction précis pour mesurer la force de pressage. Ne dépassez pas la charge nominale spécifiée pour cette presse. Portez toujours des lunettes de sécurité lorsque vous travaillez avec ou autour de la presse. Des blessures personnelles ou des dommages matériels pourraient se produire si vous ne respectez pas ces directives.

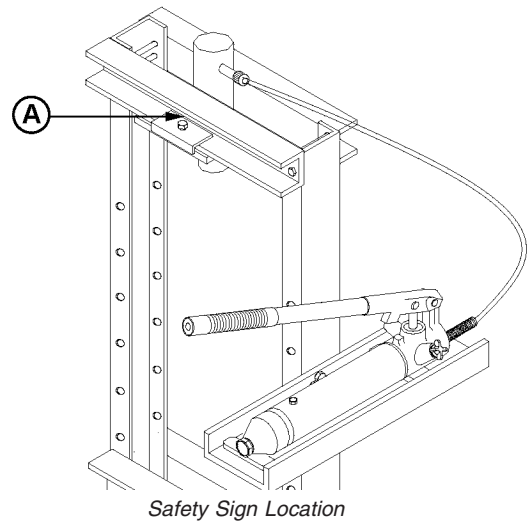
Manufactured for / Fabriqué pour
Deere & Company, Moline, IL 61265
Made in China / Fabriqué en Chine

Safety Sign

TYB4980 -19-15SEP06

OUOD006.00002A9 -19-15SEP06-1/2

NOTE: Decal is found at safety sign location (A), on front of upper cross member of the press.



Safety Sign Location

TYB4981 -UN-15SEP06

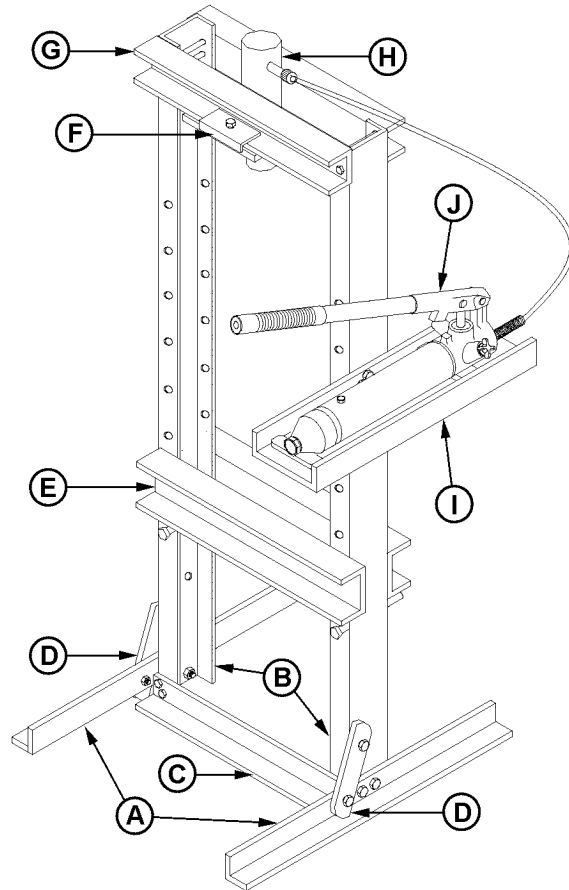
OUOD006.00002A9 -19-15SEP06-2/2

Before Use

Assembly

NOTE: Lay out and identify all components before beginning assembly. Hardware and assemblies are **hand-tightened only** until all components are assembled.

1. Attach left and right base sections (A) to upright channels (B). Hand-tighten hardware only.
2. Loosely attach lower cross member (C) to upright channels.
3. Attach support links (D) with provided bolts, nuts and washers.
4. Carefully slide bed frame section (E) down to its fully lowered position between upright channels.
5. Slide head plate (F) into position on upper cross member (G) and fasten with bolts provided. Attach upper cross member section.
6. Thread ram (H) into place.
7. Attach pump bracket (I) to upright channel.
8. Place hand pump (J) on pump bracket and attach hydraulic line from hand pump to ram.
9. **Tighten all hardware.**



25 Ton Shop Press Assembly

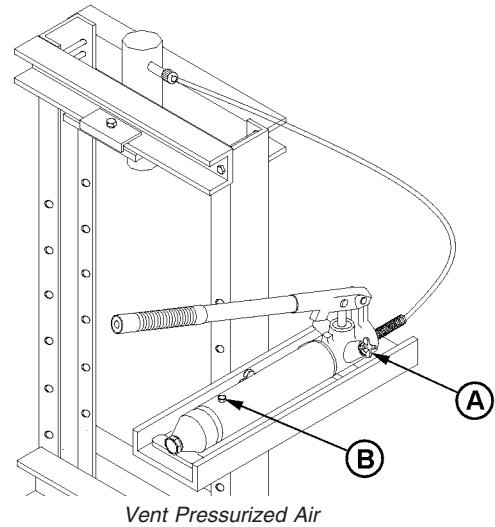
- A—Base Sections
- B—Upright Channels
- C—Lower Cross Member
- D—Support Links
- E—Bed Frame Section
- F—Head Plate
- G—Upper Cross Member
- H—Ram
- I—Pump Bracket
- J—Hand Pump

TYB4967 -UN-12SEP06

OUD006,0000298 -19-06SEP06-1/1

Before Use

1. Read this operator's manual completely. Be thoroughly familiar with this product and the hazards associated with its improper use.
2. Become thoroughly familiar with location and operation of controls.
3. Ensure nuts and bolts are tight.
4. Inspect before each use. **DO NOT USE** if any components are bent, broken, cracked, leaking or damaged in any way.
5. Vent pressurized air from hand pump as follows:
 - a. Open release valve (A) by turning it counterclockwise not more than one full turn.
 - b. Remove oil filler screw.
 - c. Pump handle a few times, and reinstall oil filler screw.



A—Release Valve
B—Oil Filler Screw

TYB4965 -UN-12SEP06

OUOD006,0000299 -19-06SEP06-1/1

Operation

Operation

- Wear eye protection.
- Never stand directly in front of loaded press.
- Keep hands and feet away from bed at all times.
- Center-load workpiece and fasten it tightly.
- Replace any cut, leaking or damaged hydraulic hoses or connections.

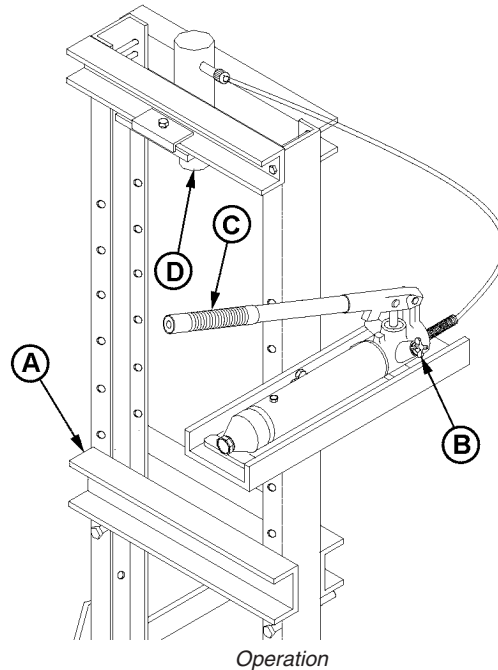
1. Fasten workpiece in bed frame (A) following all safety precautions. Position workpiece so it will not fall from bed.
2. Close release valve (B) by turning it clockwise firmly , until tight.
3. Insert pump handle (C) into sleeve. Pump handle until ram (D) nears workpiece.
4. Align ram and workpiece to ensure center-loading.

CAUTION: Do not overload workpiece.

5. Pump handle to apply load to workpiece.

IMPORTANT: Stabilize workpiece so it will not fall from bed once load is removed.

6. When work is complete, stabilize workpiece and turn release valve counterclockwise to release load from workpiece.
7. After ram is fully retracted, remove workpiece.



- A—Bed Frame
- B—Release Valve
- C—Pump Handle
- D—Ram

TYB4968 -UN-12SEP06

OUOD006.000029B -19-06SEP06-1/1

Maintenance

Adding or Changing Oil

CAUTION: Improper fluid can cause premature failure of the press, resulting in sudden and immediate loss of load. Use only a good grade hydraulic oil. Avoid mixing different types of fluid. NEVER use motor oil, brake fluid, turbine oil, transmission fluid or glycerin in the press.

NOTE: John Deere Low Viscosity HY-GARD™ Transmission and Hydraulic Oil (or equivalent) is the recommended hydraulic press oil.

Adding Oil (As Required)

1. Ensure ram (A) is unloaded, level, and fully retracted.
2. Remove oil filler screw (B).

IMPORTANT: Do not overfill hydraulic oil.

3. Fill until oil level is 3/8" below oil filler screw hole.
4. Reinstall oil filler screw.

Changing Oil (Annually)

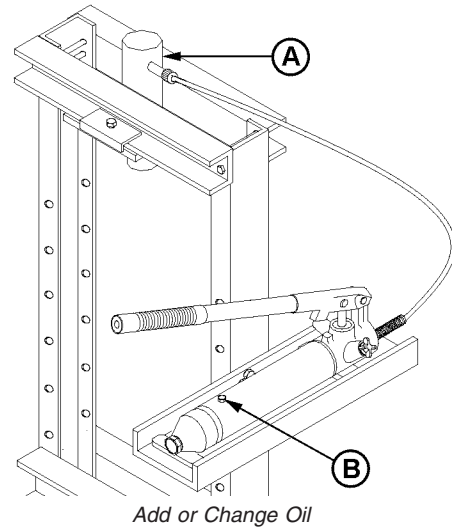
IMPORTANT: For best performance and longest life, replace the complete fluid supply at least once each year.

1. Ensure ram (A) is unloaded, level, and fully retracted.
2. Remove hand pump from bracket.
3. Remove oil filler screw. (B).
4. Drain oil into a suitable container.

NOTE: Always dispose of hydraulic press oil in accordance with local regulations.

IMPORTANT: Do not overfill hydraulic oil.

5. Fill until oil level is 3/8" below oil filler screw hole.
6. Reinstall oil filler screw.



A—Ram
B—Oil Filler Screw

TYB4969 -UN-12SEP06

Maintenance

General Maintenance

Before Each Use

Check hydraulic connections and hoses before each use. Repair or replace any cut, leaking or otherwise damaged connections or hoses before using the unit.

Periodically

Lightly oil all moving parts, including piston pump and hydraulic ram.

OUOD006,000029C -19-12SEP06-1/1

Storing the Press

When not in use, store the press in a dry place with pump piston and ram fully retracted.

OUOD006,00002A0 -19-12SEP06-1/1

Ordering Parts

Contact John Deere technical support at (888) 332-6419 or see your local John Deere dealer for service part information.

OUOD006,0000277 -19-29AUG06-1/1

Replacement Parts Illustration for model ATD-7455

Item	Part# for model:	Description	Qty
1	T125-00001-000	Upper Cross Member	2
2	T125-00003-000	Punch	1
3	T125-00007-000	Arbor Plates (<i>pair</i>)	1
4	T125-02000-000	Bed Frame	1
5	T125-01000-000	Support Pin	2
6	T125-00002-000	Upright Channel	2
7	T184-00006-000	Lower Cross Member	1
8	T184-00004-000	Support Link	2
9	T184-00005-000	Base Leg	2
10	T184-00003-000	Pump Bracket	1
11	F100-90004-K01	Hand Pump	1
12	T125-00008-000	Fixed Bracket	2
13	F040-90107-K02	Oil Filler Screw	1
14	T125-03000-000	Head Plate	1
15	F250-30000-000	Ram	1
16	F040-90009-K04	Coupler, Female 1/4" NPT	1
	F040-90009-K05	Coupler, Male 1/4" NPT	1
17	F100-90009-K01	Pump Handle	1
-	55255	Pump & Ram Assembly (#11 & 15)	-
-	T125-04000-000	Hardware Kit	-

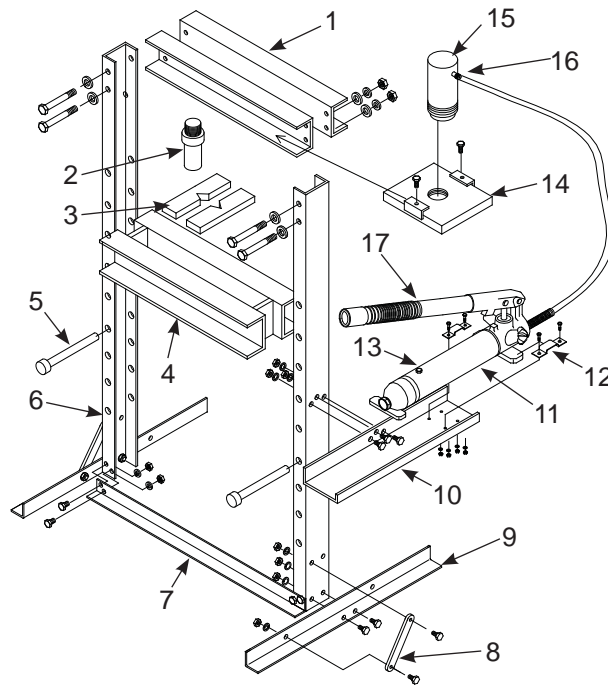


Figure 9 - Parts Illustration for ATD-7455

Troubleshooting

Shop Press Troubleshooting

Symptom	Possible Causes	Corrective Action
Ram will not press	Release valve not tightly closed Overload condition	Ensure release valve tightly closed Remedy overload condition
Ram bleeds off after press operation	Release valve not tightly closed Overload condition Hydraulic unit malfunction	Ensure release valve tightly closed Remedy overload condition Contact John Deere Technical Service at (888) 332-6419.
Ram will not lower after unloading	Reservoir overfilled Linkages binding	Remove load then drain oil to proper level Clean and lubricate moving parts
Poor lift performance	Fluid level low Air trapped in system	Ensure proper oil level With ram fully retracted, remove oil filler screw to let pressurized air escape. Reinstall oil filler screw.
Ram will not extend to full extension	Oil level low	Ensure proper oil level

OUOD006,000029D -19-12SEP06-1/1

Specifications

Shop Press Specifications

Model	Capacity	Press Size (L x W x H)	Max. Working Space	Min. Working Space	Weight
TY26323	25 Ton	28" x 28" x 59"	34-1/4"	2-1/2"	263 lbs.

OUOD006,000029E -19-12SEP06-1/1

Record Product Information

NOTE: Date code (A) is located on sticker on the side of the hand pump.

Code is in year/month format. (For example, the date for code SS0609xxxxx is for the year of 2006 and the month of September.)

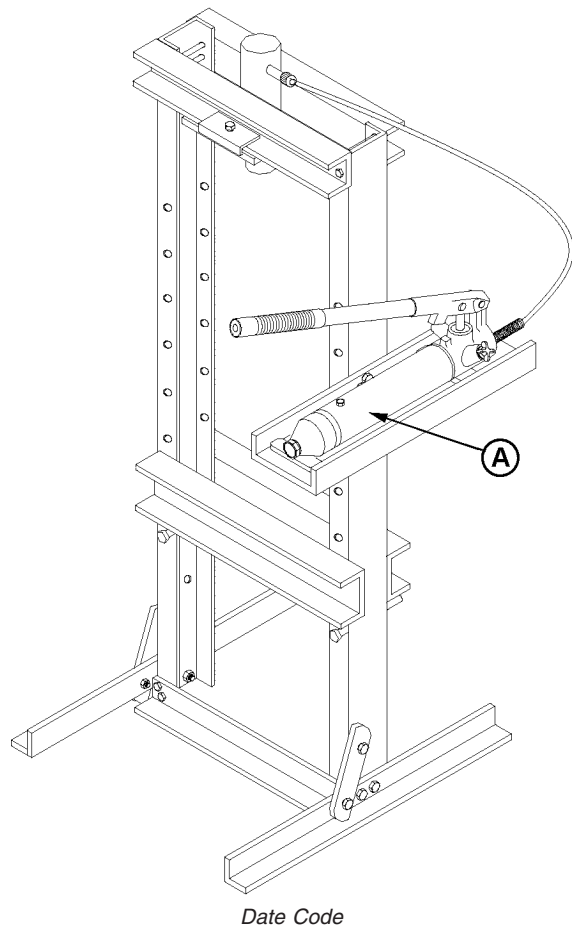
Write your John Deere model number, date code (A) and date of purchase in the spaces provided below. Your dealer needs this information when ordering parts and when filing warranty claims.

John Deere Model Number

Date Code

Date of Purchase

(To be filled in by purchaser)



TYB4970 -JUN-13SEP06

OUOD006,0000270 -19-18AUG06-1/1

Warranty

Warranty

John Deere Company (“John Deere”) warrants to the original purchaser of each new John Deere press that it will repair or replace, as John Deere elects, any part of the press that is defective in material or workmanship as delivered to the purchaser if the defect appears within one year from date of purchase. This warranty applies only to purchases from authorized John Deere dealers.

To obtain performance of this warranty, the purchaser must request such performance from a John Deere dealer authorized to sell new John Deere presses. At the time of such request, the purchaser must present proof of purchase documentation that includes a date of purchase (bill of sale, for example), make the product available at the dealer’s place of business, and inform the dealer of what the purchaser believes to be the defect in the product.

If John Deere elects to repair the product, only new or remanufactured parts or components, furnished or approved by John Deere, will be used. If any such part or component is defective in material or workmanship when installed in the product, John Deere will repair or replace, as it elects, such defective part or component provided the defect is reported to an authorized John Deere dealer within 90 days of installation or before expiration of the product’s warranty, whichever is later.

John Deere is not responsible for the following:

1. Transportation to and from the dealership, or service calls made by the dealer.
2. Used products of any make.
3. Any product that has been altered or modified in ways not approved by John Deere.
4. Depreciation or damage caused by normal wear, lack of reasonable and proper maintenance, failure to follow operating instructions, misuse, or lack of proper protection during storage.

5. Normal maintenance and replacement of wear items.
6. Premiums charged for overtime labor requested by the purchaser.

Other than as stated in this section of the manual, neither John Deere nor any company affiliated with it makes any warranties, or representations, as to materials, workmanship, quality or performance of the products covered under this warranty. IMPLIED WARRANTIES OF MERCHANTABILITY AND FITNESS FOR A PARTICULAR PURPOSE, ARE EXPRESSLY DISCLAIMED. THE ONLY REMEDIES THE PURCHASER HAS IN CONNECTION WITH THE BREACH OF PERFORMANCE OF ANY WARRANTY ON JOHN DEERE PRODUCTS ARE THOSE SET FORTH HEREIN. IN NO EVENT WILL THE DEALER, JOHN DEERE, OR ANY COMPANY AFFILIATED WITH JOHN DEERE BE LIABLE FOR INCIDENTAL OR CONSEQUENTIAL DAMAGES. (NOTE: SOME STATES DO NOT ALLOW LIMITATIONS ON HOW LONG AN IMPLIED WARRANTY LASTS OR THE EXCLUSION OR LIMITATION OF INCIDENTAL OR CONSEQUENTIAL DAMAGES, SO THE ABOVE LIMITATIONS AND EXCLUSIONS MAY NOT APPLY TO YOU.)

The selling dealer makes no warranty of his own on any item warranted by John Deere, and makes no warranty on any other item unless he delivers to the purchaser a separate written warranty certificate specifically warranting the item. The dealer has no authority to make any representation or promise on behalf of John Deere, or to modify the terms or limitations of this warranty in any way.

NOTE: This warranty gives you specific legal rights, and you may have other rights which vary from state to state.

Warranty

**John Deere TY26323
Presse d'atelier de
25 tonnes**

**LIVRET D'ENTRETIEN
Presse d'atelier de 25 tonnes
John Deere**

OMTY26299 Édition 27Sep06 (FRENCH)

Introduction

Introduction

MERCI d'avoir acheté un produit John Deere.

LIRE ATTENTIVEMENT CE LIVRET pour apprendre les méthodes d'utilisation et d'entretien correctes de cette presse d'atelier. Toute négligence à cet égard pourrait résulter en des blessures ou dommages matériels. Ce livret et les autocollants de sécurité de la presse sont éventuellement disponibles dans d'autres langues. (Consulter le concessionnaire John Deere pour passer commande.)

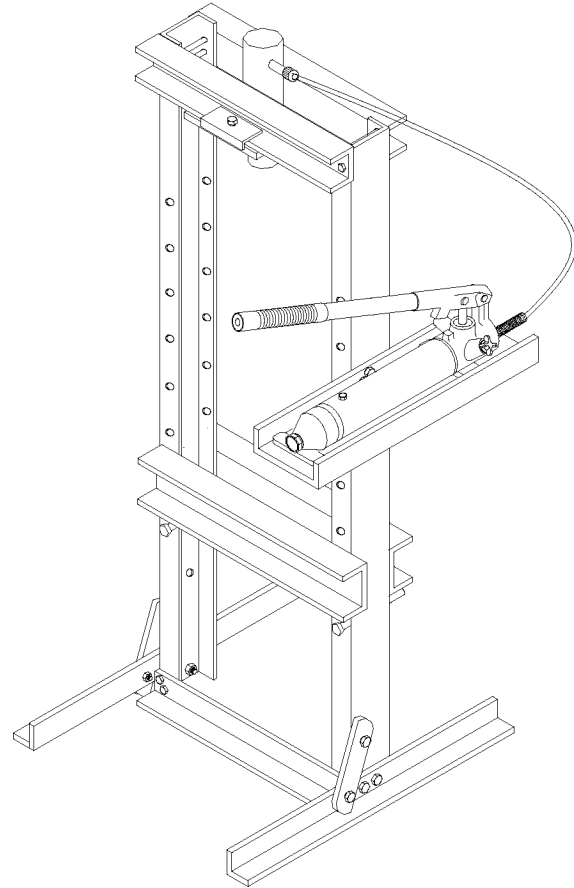
CE LIVRET DOIT ÊTRE CONSIDÉRÉ comme faisant partie intégrante de la presse et doit l'accompagner lors de la vente.

LES MESURES données dans cette publication sont exprimées en unités métriques et leurs équivalents US habituels. N'utiliser que les pièces de rechange et les fixations appropriées.

INSCRIRE LES INFORMATIONS SUR LE PRODUIT à la section "Caractéristiques". Noter correctement tous les caractères afin de faciliter les recherches de la presse en cas de vol. Les communiquer également au distributeur lors de toute commande de pièces. Prendre soin de conserver les informations sur le produit dans un endroit sûr.

LA GARANTIE fait partie du programme de soutien offert par John Deere aux clients qui utilisent et entretiennent leur équipement de la façon décrite dans ce livret. La garantie est expliquée à la section "Garantie" à la fin de ce livret.

Cette garantie fournit l'assurance que John Deere se portera garant de ses produits si des défauts apparaissent durant la période de garantie. Dans certains cas, John Deere apporte aussi des améliorations sur le terrain, souvent sans frais pour le client, même si le produit n'est plus sous garantie. Si le matériel est maltraité ou modifié pour changer ses performances au-delà des spécifications d'origine, la garantie est annulée et les améliorations sur le terrain peuvent être refusées.



Presse d'atelier de 25 tonnes - TY26323

TYB4964 -JUN-12SEP06

OUOD006,0000296 -28-06SEP06-1/1

Table des matières

	Page
Sécurité	05-1
Avant l'utilisation	
Assemblage	10-1
Avant l'utilisation.	10-2
Fonctionnement	
Fonctionnement	15-1
Entretien	
Ajout ou vidange d'huile	20-1
Entretien général	20-2
Remisage de la presse.	20-2
Commande de pièces.	20-2
Dépannage	
Dépannage de la presse d'atelier	25-1
Caractéristiques	
Caractéristiques de la presse d'atelier	30-1
Enregistrement des informations sur le produit.	30-1
Garantie	
Garantie	35-1

Toutes les informations, illustrations et caractéristiques contenues dans la présente publication sont à jour au moment de la publication, le constructeur se réservant le droit d'apporter sans notification toute modification jugée appropriée.

COPYRIGHT © 2006
DEERE & COMPANY
Moline, Illinois
All rights reserved
A John Deere ILLUSTRATION® Manual

Table des matières

Sécurité

Identification des symboles de mise en garde

Voici le symbole de mise en garde. Ce symbole apparaît sur l'équipement ou dans la présente publication pour prévenir d'un risque potentiel de blessure.

Respecter tous les conseils de sécurité ainsi que les consignes générales de prévention des accidents.



OUOD006,00002BE -28-20SEP06-1/1

T81389 -UN-07DEC88

Comprendre les termes de mise en garde

Le symbole de mise en garde est accompagné d'un terme, tel que DANGER, AVERTISSEMENT ou ATTENTION. Le terme DANGER repère les dangers les plus graves.

Les autocollants avec DANGER ou AVERTISSEMENT signalent des dangers spécifiques. Les autocollants avec ATTENTION se réfèrent à des précautions d'ordre général. Dans la présente publication, le terme ATTENTION accompagne les messages de sécurité.



DX,SIGNAL -28-03MAR93-1/1

TS187 -28-30SEP88

Respect des consignes de sécurité

Lire attentivement tous les messages de sécurité dans ce livret et sur les affichettes de sécurité apposées sur l'équipement. Maintenir les affichettes de sécurité en bon état. Remplacer les affichettes de sécurité manquantes ou endommagées. S'assurer que l'équipement neuf et les pièces de rechange comportent les affichettes de sécurité les plus récentes. Des affichettes de sécurité de rechange sont disponibles auprès du concessionnaire John Deere.

Apprendre la façon correcte de faire fonctionner l'équipement et d'en utiliser les commandes. Ne laisser personne se servir de la machine sans instructions.

Maintenir l'équipement en bon état de marche. Les modifications non autorisées de l'équipement risquent d'en altérer le fonctionnement et/ou la sécurité et d'en raccourcir la vie utile.

Si une partie quelconque de ce livret ne semble pas compréhensible, contacter le concessionnaire John Deere qui fournira les explications nécessaires.



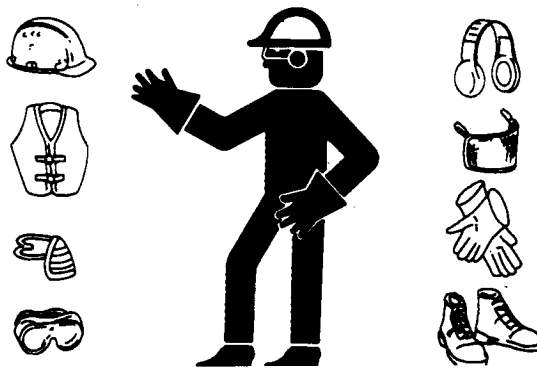
TS201 -UN-23AUG88

OUOD006,00002BF -28-20SEP06-1/1

Porter des vêtements de protection

Porter des vêtements ajustés au corps et se munir des équipements de protection correspondant au travail envisagé.

Pour utiliser la machine de façon sûre, le conducteur doit y apporter toute son attention. N'écouter ni radio ni musique avec un casque ou des écouteurs pendant le travail.



DX,WEAR2 -28-03MAR93-1/1

TS206 -UN-23AUG88

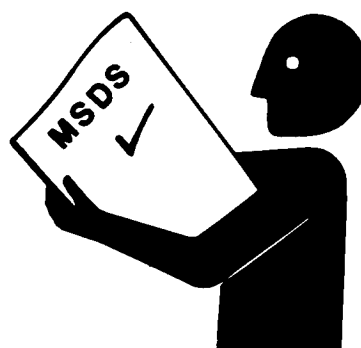
Sécurité de la manipulation des produits chimiques

L'exposition directe aux produits chimiques dangereux peut causer de graves blessures. Certains produits chimiques utilisés dans les équipements John Deere, tels que lubrifiants, liquides de refroidissement, peintures et adhésifs, entrent dans cette catégorie.

Les fiches signalétiques contiennent des informations détaillées sur les produits chimiques: risques corporels et de santé, procédures de sécurité et mesures à prendre en cas d'urgence.

Consulter la fiche signalétique avant d'entreprendre tout travail exigeant l'usage d'un produit chimique dangereux. Ceci permet de savoir exactement quels sont les risques et les mesures à prendre pour exécuter la tâche en toute sécurité. Suivre les procédures à la lettre et utiliser l'équipement recommandé.

(Consulter le concessionnaire John Deere pour les fiches signalétiques de sécurité sur les produits chimiques utilisés dans les équipements John Deere).



DX,MSDS,NA -28-03MAR93-1/1

TS1132 -UN-26NOV90

Élimination correcte des déchets

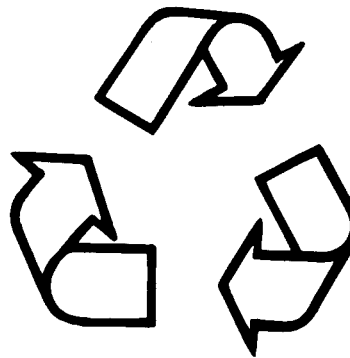
L'élimination incorrecte des déchets peut nuire à l'environnement. Dans les matériels John Deere, certains liquides ou éléments tels que huile, combustible, liquides de refroidissement et de frein, filtres et batteries peuvent être source de pollution après leur élimination.

Recueillir à la vidange les liquides dans des récipients étanches. Ne pas utiliser de récipients pour aliments ou boissons qui pourraient induire en erreur et inciter à en boire le contenu.

Ne pas déverser de déchets sur le sol, dans les égouts ou à tout autre endroit pouvant entraîner une pollution des eaux.

Les réfrigérants utilisés dans les circuits de climatisation sont nuisibles à l'atmosphère s'ils sont rejetés dans l'air. Dans certains pays, des dispositions légales ont été prises pour que la récupération et le recyclage des réfrigérants soient réalisés dans des centres agréés.

Se renseigner auprès des autorités locales compétentes ou du concessionnaire John Deere sur les mesures à prendre pour l'élimination de ces déchets.



CONSIGNES DE SÉCURITÉ IMPORTANTES À CONSERVER



ATTENTION: Cette presse d'atelier peut développer une pression élevée. La rupture des composants risque d'injecter de la graisse dans les yeux et sous la peau, entraînant des blessures graves. En cas d'accident, consulter immédiatement un médecin. Toute vaporisation sous haute pression ayant pénétré sous la peau doit être retiré de façon chirurgicale dans les quelques heures qui suivent pour éviter les risques de gangrène. Les médecins non familiarisés avec ce type de blessures doivent se référer à une source médicale compétente. Ce type d'informations peut être obtenu auprès de Deere & Company Medical Department, à Moline, Illinois, U.S.A.

Risque de blessures graves aux yeux par la projection ou l'expulsion de débris. Porter des lunettes de sécurité lors du travail à proximité de la presse. Installer une protection autour de la pièce à travailler. Ne pas approcher les mains et les pieds de la zone de chargement. Ne jamais laisser une presse chargée sans surveillance. Ne pas dépasser la capacité nominale de la presse. Utiliser uniquement sur une surface dure et plane. Ne jamais se tenir directement devant une presse chargée. Charger la pièce à travailler au centre de la presse pour éviter l'expulsion d'objets. Ne pas modifier cet équipement.

1. **CONSERVER CES CONSIGNES.** Le présent livret contient d'importantes consignes sur la sécurité et l'utilisation de la presse d'atelier. Lire et comprendre ce livret avant d'utiliser la presse. Avant que l'utilisation de cette presse soit autorisée, toutes les consignes d'utilisation et de sécurité doivent être communiquées dans la langue maternelle de l'opérateur.
2. Des connaissances et compétences spéciales sont nécessaires à l'utilisation et à la réparation des

presses d'atelier. Ne pas utiliser ou entretenir les presses sans être entièrement familiarisé avec les procédures correctes.

3. En cas de doute sur l'utilisation correcte et en toute sécurité de ce produit, cesser **immédiatement** de l'utiliser.
4. Se tenir à portée de voix ou à proximité physique de quelqu'un lorsque l'on travaille près d'une presse, en cas d'urgence.
5. **Inspecter avant chaque emploi.** Ne pas utiliser si on note des pièces cassées, faussées, fissurées ou endommagées. Si une presse semble être endommagée de quelque manière que ce soit, ou si elle fonctionne de manière anormale, cesser immédiatement de l'utiliser. Il est recommandé qu'une inspection annuelle soit effectuée par du personnel qualifié.
6. Si la presse a été soumise à des chocs (une charge est tombée dessus brusquement et de façon inattendue) ou si l'on soupçonne qu'elle a été soumise à des chocs, cesser immédiatement de l'utiliser jusqu'à ce que la presse ait pu être inspectée par un centre de réparation agréé.
7. Ne jamais exercer de force excessive sur une pièce à travailler, et toujours utiliser un compressiomètre pour déterminer la charge exercée.
8. Cette presse d'atelier est conçue pour faciliter l'assemblage des composants automobiles et industriels. Les applications typiques comprennent la pose et la dépose des roulements, joints d'étanchéité et joints universels.
9. Il n'est pas recommandé d'utiliser cette presse d'atelier comme table d'assemblage ou banc de montage pour l'assemblage final des grands composants.

OUOD006,00002CD -28-26SEP06-1/1

Autocollant de sécurité

TY26323

25 Ton
Tonnes**Shop Press**
Presse d'atelier**⚠ WARNING / AVERTISSEMENT**

Study and understand all warnings and owner's manual before use. Components of this press are specially designed to withstand rated capacity loads. Do not substitute bolts or pins, or any other parts. Always center load on ram plunger, offset loads can damage ram or head plate. Before applying load, be sure all press bed supporting pins are fully engaged to head plate prior to applying a load. Remove all loads from press bed before attempting to adjust bed height. Beware of possible falling bed. Press only on loads supported by press bed. Do not support load on floor or press frame. Keep hands and fingers out of the press and away from parts that may shift and pinch. Do not stand in front of work area where load is applied. Always use an accurate force gauge to measure pressing force. Do not exceed the rated capacity of this press. Always wear safety goggles when working with or around press. Failure to follow this warning may result in personal injury or property damage.

Assurez-vous de bien lire et de comprendre tous les avertissements et toutes les instructions du livret d'entretien avant son utilisation. Les éléments de cette presse sont spécialement conçus pour supporter des charges ayant des capacités nominales spécifiques. Il est interdit de substituer des boulons, des axes ou toute autre pièce. Centrez toujours la charge sur le piston-plongeur, car des charges décentrées pourraient endommager le piston ou la tête. Avant d'appliquer une charge, assurez-vous que tous les axes d'appui de la presse soient complètement engagés sur la tête avant d'appliquer une charge. Enlevez toutes les charges de la table de la presse avant d'essayer de régler la hauteur de la table. Surveillez toujours la table de la presse car elle pourrait tomber. Ne pressez que des charges supportées par la table de la presse. Ne supportez pas de charge sur le bâti de la presse ou au plancher. Gardez les mains et les doigts hors de la presse et loin de toute pièce qui pourrait se déplacer et vous blesser. Ne vous tenez pas en avant de l'aire de travail lorsqu'une charge est appliquée. Utilisez toujours un dynamomètre de traction précis pour mesurer la force de pressage. Ne dépassez pas la charge nominale spécifiée pour cette presse. Portez toujours des lunettes de sécurité lorsque vous travaillez avec ou autour de la presse. Des blessures personnelles ou des dommages matériels pourraient se produire si vous ne respectez pas ces directives.

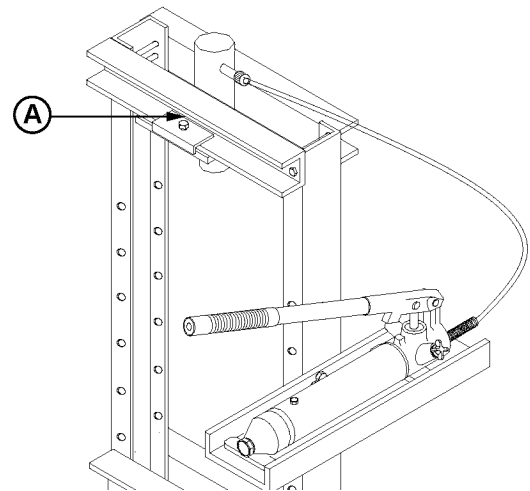
Manufactured for / Fabriqué pour
Deere & Company, Moline, IL 61265
Made in China / Fabriqué en Chine

TYB4980 -28-15SEP06

Autocollant de sécurité

OUOD006.00002A9 -28-15SEP06-1/2

NOTE: L'autocollant se trouve à l'emplacement d'autocollant de sécurité (A), à l'avant de la traverse supérieure de la presse.



Emplacement d'autocollant de sécurité

TYB4981 -UN-15SEP06

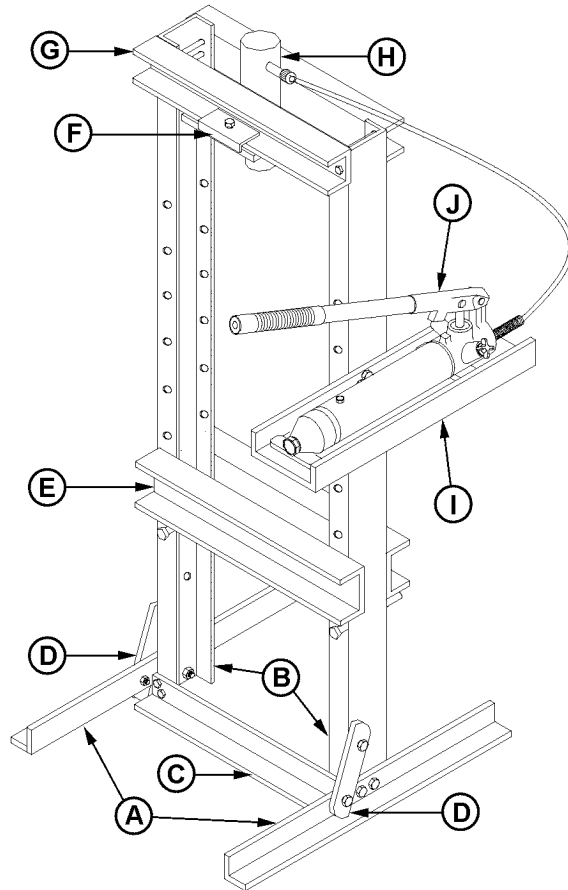
OUOD006.00002A9 -28-15SEP06-2/2

Avant l'utilisation

Assemblage

NOTE: Étaler et identifier tous les composants avant de commencer l'assemblage. La boulonnerie et les ensembles sont **serrés à la main uniquement** jusqu'à ce que tous les composants soient assemblés.

1. Fixer les sections de base (A) gauche et droite sur les coursiers verticaux (B). Ne serrer la boulonnerie qu'à la main.
2. Fixer sans serrer la traverse inférieure (C) sur les coursiers verticaux.
3. Fixer les liens de support (D) avec les boulons, écrous et rondelles fournis.
4. Faire glisser avec précaution la section de bâti (E) à sa position la plus basse entre les coursiers verticaux.
5. Faire glisser la plaque supérieure (F) en place sur la traverse supérieure (G) et fixer avec les boulons fournis. Fixer la traverse supérieure.
6. Visser le vérin (H) en place.
7. Fixer le support de pompe (I) au coursier vertical.
8. Placer la pompe manuelle (J) sur le support de pompe et brancher la conduite hydraulique entre la pompe manuelle et le vérin.
9. **Serrer toute la boulonnerie.**



Assemblage de presse d'atelier de 25 tonnes

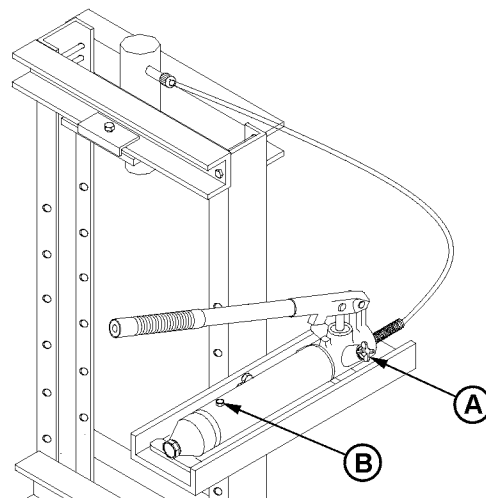
- A—Sections de base
- B—Coursiers verticaux
- C—Traverse inférieure
- D—Liens de support
- E—Section de bâti
- F—Plaque supérieure
- G—Traverse supérieure
- H—Vérin
- I—Support de pompe
- J—Pompe manuelle

TYB4967 -UN-12SEP06

OUOD006,0000298 -28-06SEP06-1/1

Avant l'utilisation

1. Lire complètement ce livret d'entretien. Se familiariser entièrement avec ce produit et les dangers associés à son utilisation incorrecte.
2. Se familiariser entièrement avec l'emplacement et le fonctionnement des commandes.
3. S'assurer que les écrous et boulons sont bien serrés.
4. Inspecter avant chaque emploi. **NE PAS UTILISER** si des composants quelconques sont faussés, cassés, fissurés, fuyants ou endommagés de quelque manière que ce soit.
5. Libérer l'air sous pression de la pompe manuelle comme suit:
 - a. Ouvrir le détendeur (A) en le tournant vers la gauche pas plus d'un tour complet.
 - b. Retirer la vis de remplissage d'huile.
 - c. Pomper la poignée à plusieurs reprises et remettre la vis de remplissage d'huile en place.



Libération de l'air sous pression

A—Détendeur
B—Vis de remplissage d'huile

TYB4965 -UN-12SEP06

OUOD006.0000299 -28-06SEP06-1/1

Fonctionnement

Fonctionnement

- Porter des lunettes de protection.
- Ne jamais se tenir directement devant une presse chargée.
- Ne jamais approcher les mains et les pieds du bâti.
- Centrer la pièce à travailler et la fixer solidement.
- Remplacer tout flexible ou raccord hydraulique coupé, fuyant ou endommagé.

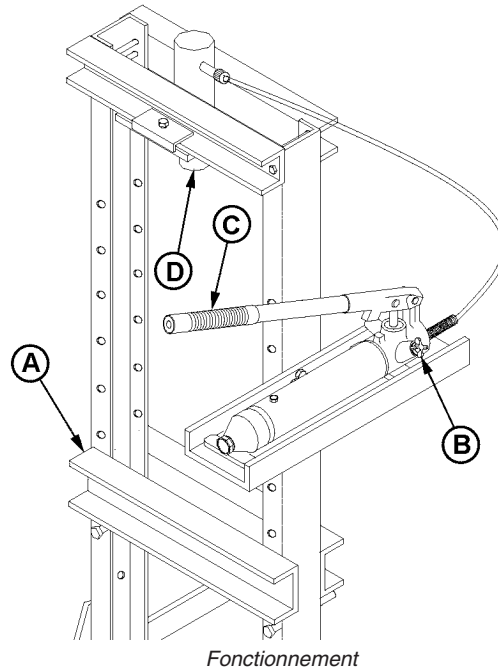
1. Fixer la pièce à travailler sur le bâti (A) en respectant toutes les consignes de sécurité. Fixer la pièce à travailler pour qu'il ne tombe pas du bâti.
2. Fermer le détendeur (B) en le tournant fermement vers la droite jusqu'à ce qu'il soit serré.
3. Insérer la poignée de pompe (C) dans la chemise. Pomper la poignée jusqu'à ce que le vérin (D) s'approche de la pièce à travailler.
4. Aligner le vérin et la pièce à travailler pour les centrer.

 **ATTENTION: Ne pas surcharger la pièce à travailler.**

5. Pomper la poignée pour appliquer la charge à la pièce à travailler.

IMPORTANT: Stabiliser la pièce à travailler pour qu'il ne tombe pas du bâti une fois la charge retirée.

6. Une fois le travail terminé, stabiliser la pièce à travailler et tourner le détendeur vers la gauche pour éliminer la charge de la pièce à travailler.
7. Une fois le vérin entièrement rétracté, retirer la pièce à travailler.



- A—Bâti
B—Détendeur
C—Poignée de pompe
D—Vérin

TYB4968 -UN-12SEP06

OUOD006.000029B -28-06SEP06-1/1

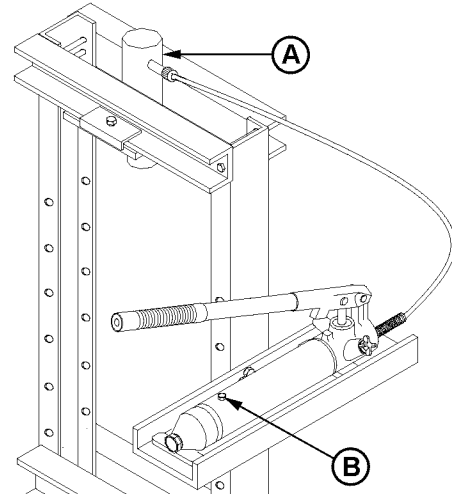
Entretien

Ajout ou vidange d'huile



ATTENTION: L'utilisation d'un fluide incorrect peut entraîner la défaillance prématurée de la presse, menant à une perte brusque et immédiate de la charge. Utiliser uniquement de l'huile hydraulique de bonne qualité. Éviter de mélanger des types de fluides différents. **NE JAMAIS** utiliser d'huile moteur, liquide de frein, huile de turbine, huile de transmission ou glycérine dans la presse.

NOTE: L'huile de transmission et hydraulique John Deere Low Viscosity HY-GARD™ (ou équivalente) est l'huile recommandée pour la presse hydraulique.



Ajout ou vidange d'huile

TYB4969 -UN-12SEP06

Ajout d'huile (selon le besoin)

1. S'assurer que le vérin (A) est déchargé, de niveau et complètement rétracté.
2. Retirer la vis de remplissage d'huile (B).

IMPORTANT: Ne pas trop remplir d'huile hydraulique.

3. Remplir jusqu'à ce que le niveau d'huile arrive à 3/8" au-dessous du trou de la vis de remplissage d'huile.
4. Remettre la vis de remplissage d'huile en place.

Vidange d'huile (tous les ans)

IMPORTANT: Pour optimiser les performances et la vie utile, remplacer toute l'huile au moins une fois par an.

1. S'assurer que le vérin (A) est déchargé, de niveau et complètement rétracté.
2. Retirer la pompe manuelle du support.
3. Retirer la vis de remplissage d'huile. (B).
4. Vidanger l'huile dans un récipient convenable.

A—Vérin

B—Vis de remplissage d'huile

HY-GARD est une marque commerciale de Deere & Company

Suite voir page suivante

OUOD006,000026C -28-18AUG06-1/2

Entretien

NOTE: Toujours éliminer l'huile de la presse hydraulique suivant les réglementations locales.

IMPORTANT: Ne pas trop remplir d'huile hydraulique.

5. Remplir jusqu'à ce que le niveau d'huile arrive à 3/8" au-dessous du trou de la vis de remplissage d'huile.
6. Remettre la vis de remplissage d'huile en place.

OUOD006,000026C -28-18AUG06-2/2

Entretien général

Avant chaque utilisation

Vérifier les raccords et flexibles hydrauliques avant chaque emploi. Réparer ou remplacer tout flexible ou raccord coupé, fuyant ou autrement endommagé avant d'utiliser l'unité.

Périodiquement

Huiler légèrement toutes les pièces mobiles, y compris la pompe à piston et le vérin hydraulique.

OUOD006,000029C -28-12SEP06-1/1

Remisage de la presse

Lorsqu'elle n'est pas en service, remiser la presse au sec avec la pompe à piston et le vérin complètement rétractés.

OUOD006,00002A0 -28-12SEP06-1/1

Commande de pièces

Contactez le service technique John Deere au (888) 332-6419 ou consultez le concessionnaire John Deere local pour des renseignements sur les pièces de rechange.

OUOD006,0000277 -28-29AUG06-1/1

Dépannage

Dépannage de la presse d'atelier

Symptôme	Causes possibles	Action corrective
Le vérin ne presse pas	Détendeur pas bien fermé Surcharge	S'assurer que le détendeur est bien fermé Corriger la surcharge
Le vérin perd sa pression après le pressage	Détendeur pas bien fermé Surcharge Mauvais fonctionnement de l'unité hydraulique	S'assurer que le détendeur est bien fermé Corriger la surcharge Contacter le service technique John Deere au (888) 332-6419.
Le vérin ne s'abaisse pas après être déchargé	Réservoir trop rempli Blocage des tringleries	Retirer la charge puis vider l'huile jusqu'au niveau correct Nettoyer et lubrifier les pièces mobiles
Mauvaises performances de levage	Bas niveau de fluide Air emprisonné dans le circuit	Vérifier que le niveau d'huile est correct Avec le vérin complètement rétracté, enlever la vis de remplissage d'huile pour laisser s'échapper l'air sous pression. Remettre la vis de remplissage d'huile en place.
Pas d'extension complète du vérin	Bas niveau d'huile	Vérifier que le niveau d'huile est correct

OUOD006,000029D -28-12SEP06-1/1

Caractéristiques

Caractéristiques de la presse d'atelier

Modèle	Capacité	Taille de presse (L x l x H)	Espace de travail max.	Espace de travail min.	Poids
TY26323	25 tonnes	28" x 28" x 59"	34-1/4"	2-1/2"	263 lbs.

OUOD006,000029E -28-12SEP06-1/1

Enregistrement des informations sur le produit

NOTE: Le code de date (A) se trouve sur l'autocollant au côté de la pompe manuelle.

Le format du code est année / mois. (Par exemple, la date du code SS0609xxxxx est l'année 2006 et le mois de septembre.)

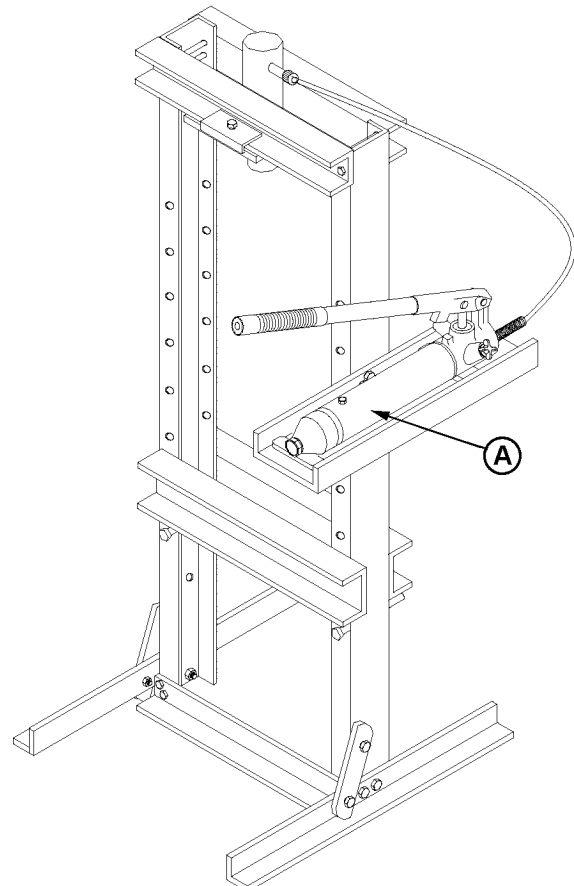
Inscrire le numéro de modèle John Deere, le code de date (A) et la date d'achat dans les espaces prévus ci-dessous. Le concessionnaire a besoin de ces informations lors de la commande de pièces ou des réclamations sous garantie.

Numéro de modèle John Deere

Code de date

Date d'achat

(À être rempli par l'acheteur)



Code de date

TYB4970 -JUN-13SEP06

OUOD006,0000270 -28-18AUG06-1/1

Garantie

Garantie

John Deere Company ("John Deere") s'engage auprès de l'acheteur d'origine de chaque presse John Deere neuve à réparer ou remplacer, à son gré, toute partie de la presse qui présente un vice de matériel ou de fabrication sous la forme où elle a été remise à l'acheteur, à condition que ledit vice se révèle dans l'année qui suit la date d'achat. Cette garantie ne s'applique qu'aux achats faits chez les concessionnaires John Deere agréés.

Pour faire valoir cette garantie, l'acheteur doit s'adresser à un concessionnaire John Deere autorisé à vendre des presses John Deere neuves. L'acheteur doit appuyer sa demande d'une preuve d'achat datée (contrat de vente, par exemple), mettre le produit à la disposition du concessionnaire, en son lieu de travail, et informer celui-ci de la nature du problème.

Si John Deere opte pour la réparation du produit, la compagnie s'engage à n'employer que des pièces ou composants neufs ou réusinés, fournis ou approuvés par elle-même. Si la pièce ou le composant en question possède un vice de matériel ou de fabrication lors de son installation dans le produit, John Deere s'engage à la ou le réparer ou remplacer, à son gré, à condition que le vice soit signalé à un concessionnaire John Deere agréé dans les 90 jours qui suivent l'installation, ou avant l'expiration de la garantie du produit, selon la dernière des échéances.

John Deere décline toute responsabilité dans les situations suivantes:

1. Transport en direction et en provenance de la concession ou visites techniques du concessionnaire.
2. Emploi de produits usagés de marque quelconque.
3. Modification quelconque d'un produit sans l'autorisation de John Deere.
4. Dépréciation ou dommages causés par une usure normale, une négligence d'entretien, un non respect des consignes d'utilisation, un abus ou un défaut de protection durant l'entreposage.

5. Entretien et remplacement des articles ayant subi une usure normale.
6. Majorations pour travail supplémentaire demandées par l'acheteur.

En dehors des stipulations de cette section du manuel, ni John Deere ni aucune des sociétés qui lui sont affiliées n'avance aucune garantie ou déclaration que ce soit en ce qui concerne le matériel, la fabrication, la qualité ou les performances des produits couverts par la présente garantie. LES GARANTIES IMPLICITES DE COMMERCIALISATION ET D'ADAPTATION À UN BUT PARTICULIER SONT EXPRESSÉMENT EXCLUES. LES RECOURS UNIQUES DE L'ACHETEUR EN CAS DE RUPTURE DE L'EXÉCUTION D'UNE GARANTIE QUELCONQUE SUR DES PRODUITS JOHN DEERE SONT STIPULÉS CI-DEDANS. LE CONCESSIONNAIRE, JOHN DEERE OU TOUTE SOCIÉTÉ AFFILIÉE À JOHN DEERE NE SAURA EN AUCUN CAS ÊTRE TENU(E) RESPONSABLE DES DOMMAGES ACCESSOIRES OU CONSÉCUTIFS. (NOTE: CERTAINS ÉTATS OU PROVINCES INTERDISANT LA LIMITATION DE LA DURÉE D'UNE GARANTIE IMPLICITE OU L'EXCLUSION/LA LIMITATION DE DOMMAGES ACCESSOIRES OU CONSÉCUTIFS, LES PRÉSENTES LIMITES ET EXCLUSIONS PEUVENT NE PAS S'APPLIQUER.)

Le concessionnaire revendeur n'avance aucune garantie personnelle sur un article quelconque, qu'il soit garanti ou non par John Deere, à moins d'avoir remis séparément à l'acheteur une déclaration donnant par écrit une garantie spécifique concernant l'article. Le concessionnaire n'est pas habilité à faire de déclaration ou promesse au nom de John Deere, pas plus qu'à modifier de façon quelconque les termes ou limitations de la présente garantie.

NOTE: Cette garantie confère à l'acheteur certains droits juridiques auxquels peuvent s'ajouter d'autres droits variant selon les régions.

OUOD006.000029F -28-12SEP06-1/1

